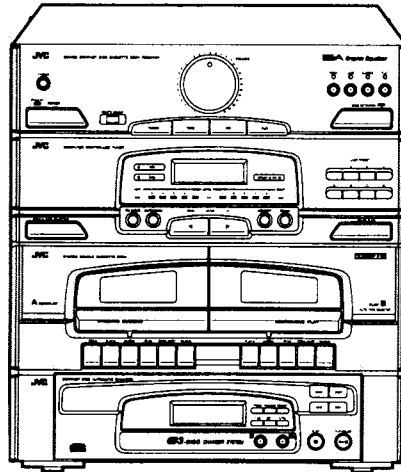


JVC

SERVICE MANUAL

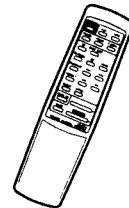
COMPACT DISC CASSETTE DECK RECEIVER

CA-ME38



Area Suffix

| | |
|----|-----------------------|
| BS |the U.K. |
| EN |Nordic Countris |
| G |Germany |
| GI |Italy |
| VX |East Europe |
| US |Singapore |
| U |Universal except |



COMPACT
disc
DIGITAL AUDIO

Contents

| | | | |
|------------------------------------|------|---------------------------------|------|
| Safety Precaution | 1-2 | Block Diagram | 2-18 |
| Inportant for Lazer Products | 1-3 | Ic Terminal voltage chart | 2-21 |
| Instruction Book | 1-4 | Schematic Diagrams | 2-25 |
| Description of Major ICs | 2-1 | Printed Circuit Board | 2-30 |
| Disassembly Procedures | 2-9 | Parts rist | 3-1 |
| Adjustment Procedures | 2-15 | | |

Safety Precautions

1. The design of this product contains special hardware and many circuits and components specially for safety purposes. For continued protection, no changes should be made to the original design unless authorized in writing by the manufacturer. Replacement parts must be identical to those used in the original circuits. Services should be performed by qualified personnel only.
2. Alterations of the design or circuitry of the product should not be made. Any design alterations of the product should not be made. Any design alterations or additions will void the manufacturer's warranty and will further relieve the manufacture of responsibility for personal injury or property damage resulting therefrom.
3. Many electrical and mechanical parts in the products have special safety-related characteristics. These characteristics are often not evident from visual inspection nor can the protection afforded by them necessarily be obtained by using replacement components rated for higher voltage, wattage, etc. Replacement parts which have these special safety characteristics are identified in the Parts List of Service Manual. Electrical components having such features are identified by shading on the schematics and by (Δ) on the Parts List in the Service Manual. The use of a substitute replacement which does not have the same safety characteristics as the recommended replacement parts shown in the Parts List of Service Manual may create shock, fire, or other hazards.
4. The leads in the products are routed and dressed with ties, clamps, tubings, barriers and the like to be separated from live parts, high temperature parts, moving parts and/or sharp edges for the prevention of electric shock and fire hazard. When service is required, the original lead routing and dress should be observed, and it should be confirmed that they have been returned to normal, after re-assembling.

5. Leakage current check (Electrical shock hazard testing)

After re-assembling the product, always perform an isolation check on the exposed metal parts of the product (antenna terminals, knobs, metal cabinet, screw heads, headphone jack, control shafts, etc.) to be sure the product is safe to operate without danger of electrical shock.

Do not use a line isolation transformer during this check.

- Plug the AC line cord directly into the AC outlet. Using a "Leakage Current Tester", measure the leakage current from each exposed metal parts of the cabinet, particularly any exposed metal part having a return path to the chassis, to a known good earth ground. Any leakage current must not exceed 0.5mA AC (r.m.s.).

● Alternate check method

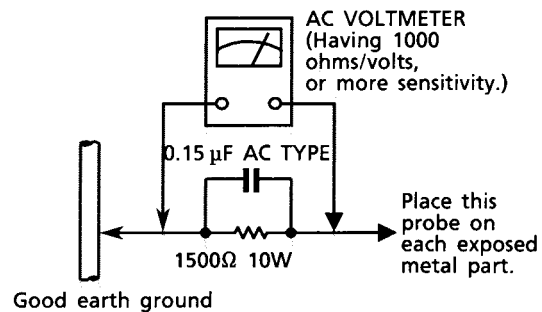
Plug the AC line cord directly into the AC outlet. Use an AC voltmeter having, 1,000 ohms per volt or more sensitivity in the following manner. Connect a 1,500 Ω 10 W resistor paralleled by a 0.15 μ F AC-type capacitor between an exposed metal part and a known good earth ground.

Measure the AC voltage across the resistor with the AC voltmeter.

Move the resistor connection to each exposed metal part, particularly any exposed metal part having a return path to the chassis, and measure the AC voltage across the resistor.

Now, reverse the plug in the AC outlet and repeat each measurement. Any voltage measured must not exceed 0.75 V AC (r.m.s.).

This corresponds to 0.5 mA AC (r.m.s.).



Warning

1. This equipment has been designed and manufactured to meet international safety standards.
2. It is the legal responsibility of the repairer to ensure that these safety standards are maintained.
3. Repairs must be made in accordance with the relevant safety standards.
4. It is essential that safety critical components are replaced by approved parts.
5. If mains voltage selector is provided, check setting for local voltage.

Important for Laser Products

1. **CLASS 1 LASER PRODUCT**
2. **DANGER** : Invisible laser radiation when open and interlock failed or defeated. Avoid direct exposure to beam.
3. **CAUTION** : There are no serviceable parts inside the Laser Unit. Do not disassemble the Laser Unit. Replace the complete Laser Unit if it malfunctions.
4. **CAUTION** : The compact disc player uses invisible laser radiation and is equipped with safety switches which prevent emission of radiation when the drawer is open and the safety interlocks have failed or are defeated. It is dangerous to defeat the safety switches.
5. **CAUTION** : If safety switches malfunction, the laser is able to function.
6. **CAUTION** : Use of controls, adjustments or performance of procedures other than those specified herein may result in hazardous radiation exposure.

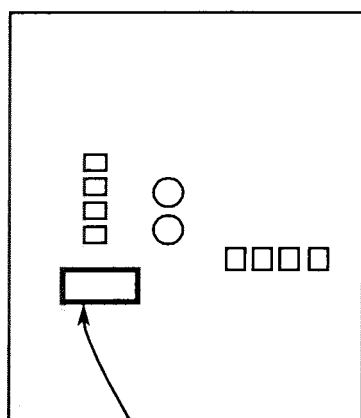
VARNING : Osynlig laserstrålning när denna del är öppnad och spärren är urkopplad. Betrakta ej strålen.

VARO : Avattaessa ja suojalukitus ohitettaessa olet alttiina näkymättömälle lasersäteilylle. Älä katso säteeseen.

ADVARSEL : Usynlig laserstrålning ved åbning, når sikkerhedsafbrydere er ude af funktion. Undgå udsættelse for stråling.

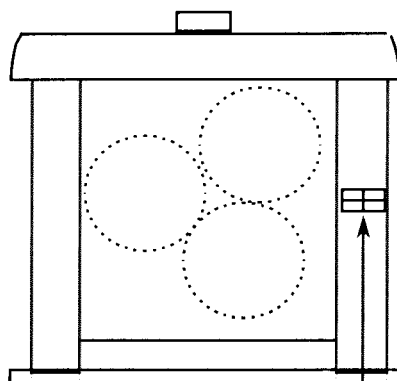
ADVARSEL : Usynlig laserstrålning ved åbning, når sikkerhedsbryteren er avslott. unngå utsettelse for stråling.

REPRODUCTION AND POSITION OF LABELS



CLASS 1
LASER PRODUCT

CLASSIFICATION LABEL
(Except for the U.S.A. and Canada)



WARNING LABEL
(Except for the U.S.A)

DANGER: invisible laser radiation when open and interlock failed or defeated. AVOID DIRECT EXPOSURE TO BEAM. (e)

VARNING: Osynlig laserstrålning när denna del ä öppnad och spärren är urkopplad. Betrakta ej strålen. (s)

ADVARSEL: Usynlig laserstrålning ved åbning, når sikkerhedsafbrydere er ude at funktion. Undgå udsættelse for stråling. (d)

VARO: Avattaessa ja suojalukitus ohitettaessa olet alttiina näkymättömälle lasersäteilylle. Älä katso säteeseen. (f)

FOR YOUR INFORMATION

Troubleshooting

- If you are having a problem with your CA-ME38, check this list for a possible solution before calling for service.
- If you cannot solve the problem from the hints given here, or the Unit has been physically damaged, call a qualified person, such as your dealer, for service.

| Symptom | Possible Cause | Action |
|--|---|---|
| No sound is heard. | Connections are incorrect, or loose. | Check all connections and make corrections. (See pages 5 and 6.) |
| Impossible to record. | Cassette record protect tabs are removed. | Cover holes on back edge of cassette with tape. |
| Hard to listen to broadcasts because of noise. | The antenna is disconnected. The loop antenna is too close to the system. The wire antenna is not properly extended and positioned. | Re-connect the antenna securely. Change the position and direction of the loop antenna. Extend wire antenna to the best reception position. |
| The CD sound is not continuous. | The CD is scratched or dirty. | Clean or replace the CD. |
| Unable to operate the Remote. | The path between the Remote and the sensor on the Unit is blocked. The batteries have run down. | Remove the obstruction. Replace the batteries. |
| The CD tray cannot be operated. | The main AC power cord is not plugged in. | Plug in the AC power plug. |
| The CD does not play. | The CD is upside down. | Put the CD in with the label side up. |
| Operations are disabled. | The built in microprocessor may malfunction due to external electrical interference. | Unplug the system then plug it back in. |

Specifications

Amplifier

Output Power (IEC 268-3/DIN)
18 watts per channel, min. RMS, both channels driven, into 8 ohms at 1kHz with no more than 0.9% total harmonic distortion.

Speaker terminals
Speakers : 8~16 ohms

Tape deck

Systems : Dual cassette transports
Tape type : Deck A: Normal/CrO₂ selector
Deck B: Normal/CrO₂ auto-selector

Tuner

FM Tuner

Tuning Range : 87.5 ~ 108.0 MHz
Antenna Input : 75 ohms unbalanced

AM Tuner

Tuning Range : 522 ~ 1,629 kHz
Antenna : Loop antenna

Compact Disc Player

Type : 1-bit D/A converter
Wow and Flutter : Unmeasurable

General

Power Requirements : AC230V~, 50Hz
Power Consumption : 70 Watts, 9.5 Watts in standby
Dimensions (Approx.) : 14-1/8 x 15-3/8 x 12"
360 (W) x 390 (H) x 305 (D) mm
Mass (Approx.) : 20.3 lbs./9.2 kg

Supplied Accessories

FM wire antenna (1)
AM loop antenna (1)
Remote control (RM-SME38U) (1)
Batteries R03 (UM-4)/AAA(24F) (2)
Antenna adaptor (1)

Design and specifications subject to change without notice.

PREFACE

We would like to thank you for purchasing one of our JVC products DC-ME3. Before connecting this unit to the wall outlet, please read the instructions carefully to ensure that you obtain the best possible performance. If you have any questions, please consult your JVC dealer.

Read Me First

How this Manual Is Organized

This manual has major eight parts:

- Preface
- Setup
- Remote Control
- Receiver
- CD (Compact Disc) Player
- Cassette Deck
- Recording
- For Your Information

Reading this Manual

- First, read Preface to Setup.
- Preface describes the information about the DC-ME3 and features of each component.
- Setup explains how to set up the DC-ME3.

Next, read Common Operations described in RECEIVER (see page 9) to help you to understand controls common to all the DC-ME3 functions.

Finally, read parts you want to know, actually operating the DC-ME3. Also look over others.

The operation procedure of each function is expressed with illustrations for both the center unit and remote control.

After you have finished reading this manual, put it away in a safe place for future reference.

The Information

There are the following two levels of Symbols on the information described in this manual:

CAUTION

Used to warn the readers of possible damage to the Unit when instructions are not strictly observed.

NOTE:

Information you should know. This note is available to smoothly operate the DC-ME3.

Important Cautions

Be sure to keep the following to use your DC-ME3 with safety and prevent troubles that may occur during operation of your DC-ME3.

- Installation of the Unit
 - ❑ Select a place which is level, dry and neither too hot nor too cold (between 5°C and 35°C).
 - ❑ Leave sufficient distance between the Unit and your TV.
 - ❑ Do not use the Unit in a place subject to vibrations.

Power cord

- ❑ Do not handle the power cord with wet hands!
- ❑ When unplugging from the wall outlet, always pull the plug, not the power cord.
- ❑ A small amount of power (10watts) is consumed even in the STANDBY mode. To shut off the power completely, unplug the power cord from the outlet.

Malfunctions, etc.

- ❑ There are no user serviceable parts inside. If anything goes wrong, unplug the power cord and consult your dealer.
- ❑ Do not insert any metallic object into the Unit.

FEATURES

The DC-ME3 consists of three major sections: center unit, remote control, and speakers. The center unit is also divided into three sections: FM/AM receiver, double cassette deck, and CD player that enables you to set up to three CDs. So, everyone can easily enjoy powerful and high-quality sound.

Here are some of the things that make the DC-ME3 powerful and easy to use.

Receiver

(For details on operation, see page 9.)

- SEA Graphic Equalizer : You can choose sound effects you like from four types : ROCK, JAZZ, CLASSIC, and FLAT.
- Tuner Preset : You can freely memorize up to 16 FM broadcasting stations and up to 8 AM broadcasting stations in the DC-ME3. Presetting broadcasting stations enables you to listen to them by only pressing their buttons.

Cassette Deck

(For details on operation, see page 17.)

- Synchro Dubbing : You can easily record (dubbing) a CD or cassette tape while listening to the source sound.
- Continuous Play : You can successively play two cassette tapes; however, the DC-ME3 does not support the auto-reverse function.
- Dolby B Noise Reduction : You can largely reduce hiss-noise of cassette noise. This is available for recording and playing.

CD Player

(For details on operation, see page 12.)

- This player has a 3-disc carousel changer, and you can enjoy various plays.
- You can set up to three CDs on the carousel at the same time and play them successively.
- You can program up to 32 tracks in the order in which you want to listen to them.
- You can choose RANDOM, REPEAT, and INTRO to play CDs.
- While listening to one CD, you can replace the other CDs in the CD changer carousel.
- EDIT : The DC-ME3 can automatically edit tracks according to the length of cassette tape.

Remote Control

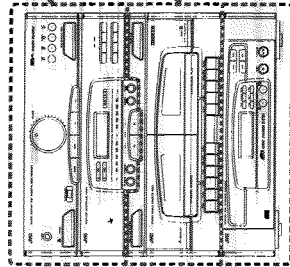
(For details on operation, see page 8.)

- Using the remote control unit supplied together with the DC-ME3, you can turn the POWER on and be in STANDBY player from some distance.

Speakers

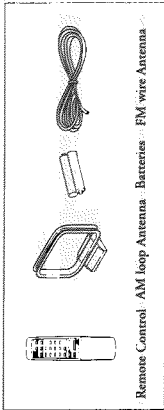
- Each speaker uses three speakers including a 5-1/4 inch (13 cm) bass speaker, you can expect a good balance and dynamic sound.

Center Unit



SETUP

Confirm Supplied Accessories



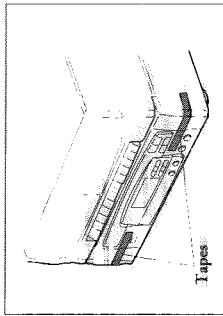
Remote Control, AM Loop Antenna, Batteries, FM Wire Antenna

If anything is missing, contact your dealer immediately.

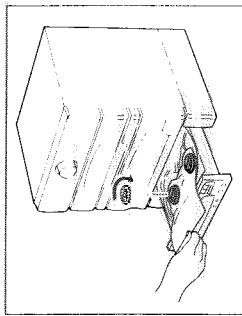
Remove All Locks

The CD changer carousel is locked in place to prevent damaged in transit. Remove all locks as follows:

1 Remove the transport fixing tapes at both sides of the CD player.



2 Carefully pull out the white caution label paper secured in the CD player by hand to open CD tray. Then, turn the two red transit locks clockwise and remove them.



3 Push the CD tray by hand to close it. Save these transit locks in case you are moving it some distance.

CAUTION

Once you removed the tapes at the CD player, do not tip the center unit forward. If you do so, the CD tray will fall open.

CAUTION

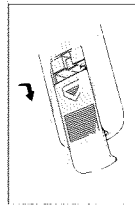
When transporting the DC-ME3, be sure to fix the CD player with these locks. If you do not do so, the CD player mechanism may be damaged.

Locating

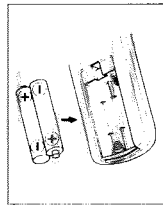
You can place the DC-ME3 in many different kinds of locations to suit your needs; just observe the cautions on page 3; keep away from moisture and heat; leave some space between the DC-ME3 and its surroundings, more than 7/16 inch (1 cm) at the sides of the DC-ME3 and 4 inch (10 cm) at the back.

Inserting Batteries in the Remote Control Unit

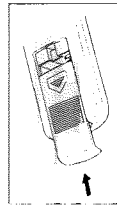
1 Open the lid.



2 Insert two R03 (UM-4)/AAA (24F) dry cell batteries. Match the + and - indications to the diagram in the battery compartment.



3 Close the lid.

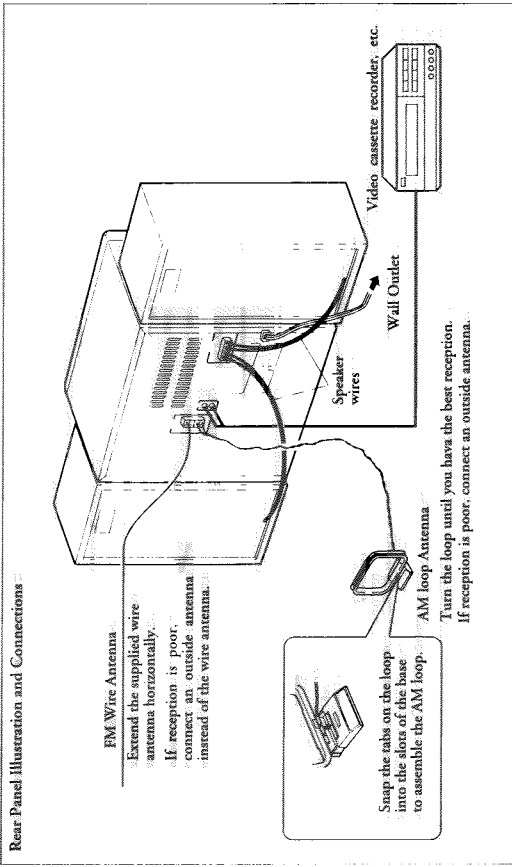


CAUTION

- Observe proper handling of batteries. To avoid battery leakage or explosion:
- Remove batteries when the Remote will not be used for a long time.
- When you need to replace the batteries, replace both batteries at the same time with new ones.
- Don't use an old battery together with a new one.
- Don't use different types of batteries together.
- Don't expose batteries to heat or flame.

Connections

Rear Panel Illustration and Connections



FM Wire Antenna
Extend the supplied wire antenna horizontally.
If reception is poor, connect an outside antenna instead of the wire antenna.

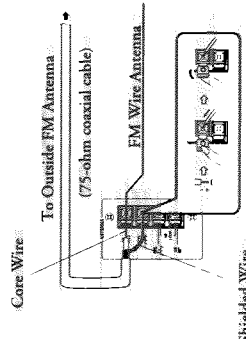
Snap the tabs on the loop into the slots of the base to assemble the AM loop.

Turn the loop until you have the best reception. If reception is poor, connect an outside antenna.

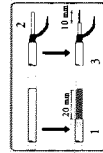
Connecting the FM antenna

Connect the supplied FM wire antenna to the FM 75-ohm terminal.

Fasten the wire antenna at the position that gives you the best FM reception.

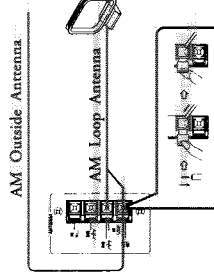


How to strip the 75-ohm coaxial cable.



Connecting the AM loop antenna

Assemble the supplied AM loop antenna and connect it to the AM loop terminal.

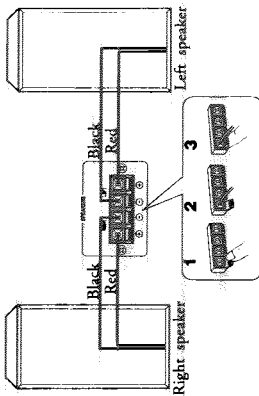


NOTE

- Even when connecting an outside AM antenna, keep the indoor AM loop antenna connected.
- Make sure the antenna conductor do not touch any other terminals, connecting cords and power cord on the system. This could cause poor reception.

SETUP

Connecting the speakers



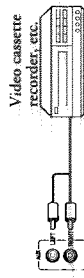
- 1** Open each terminal.
- 2** Insert the end of the speaker wire as shown in the figure. (Be sure to remove the insulation at the end of each wire first).
Connect the red (+) and black (-) wires of the right side speaker to the red (+) and black (-) terminals marked by **RIGHT** on the back panel.
Also, connect the red (+) and black (-) of the left side speaker to the red (+) and black (-) terminals marked by **LEFT** on the back panel.
- 3** Close the terminals to clamp the speaker wires firmly in place.

CAUTION

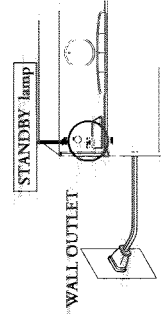
Use speakers with the same speaker impedance indicated by the speaker terminals on the back of the DC-ME3.

Connecting the AUX equipment (Option)

Connect the AUX equipment output to the AUX terminals on the rear panel, taking care about the left and right connectors. (The connection cord is not supplied.)



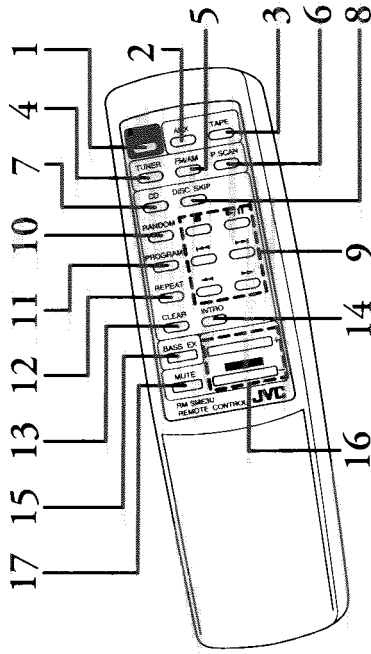
Plug in the Power Cord



Plug the power cord to the wall outlet after all the connections above are completed. The red STANDBY indicator lamp then lights on.
Your system setup is complete.

REMOTE CONTROL

Remote Control Illustration

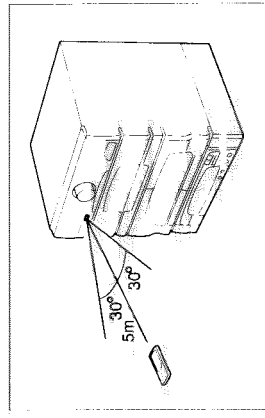


Part Names and Functions

- 1 POWER:** Turns on the unit or puts it in STANDBY mode.
- 2 AUX:** Sound source switching buttons
- 3 TAPE**
- 4 TUNER**
- 5 FM/AM**
Select a radio band from FM1, FM2, or AM.
- 6 P-SCAN (Program scan)**
You can choose stations you preset in advance.
This function is available only for the remote control.
- 7 CD:** Sound source switching button
- 8 DISC SKIP:** Moves disc position.
- 9 CD operation buttons**
- 10 RANDOM:** Plays tracks at random.
- 11 PROGRAM:** Programs tracks.
- 12 REPEAT:** Switches four repeat modes.
- 13 CLEAR**
Pressing CLEAR resets the CD player program you set in advance.
This function is available only for the remote control.
- 14 INTRO:** Plays only the beginning of each track.
- 15 BASS EX.:** Bass extension
- 16 VOLUME control (+/-)**
- 17 MUTE**
If you press MUTE, no sound is heard. MUTE appears on the receiver display. Pressing MUTE again releases muting.
This function is available only for the remote control.

Remote Control Operable Range

The remote control can be used within a range of approx. 5 meters (16.4 feet) from the remote sensor, and within angles of up to approx. 30 degrees.



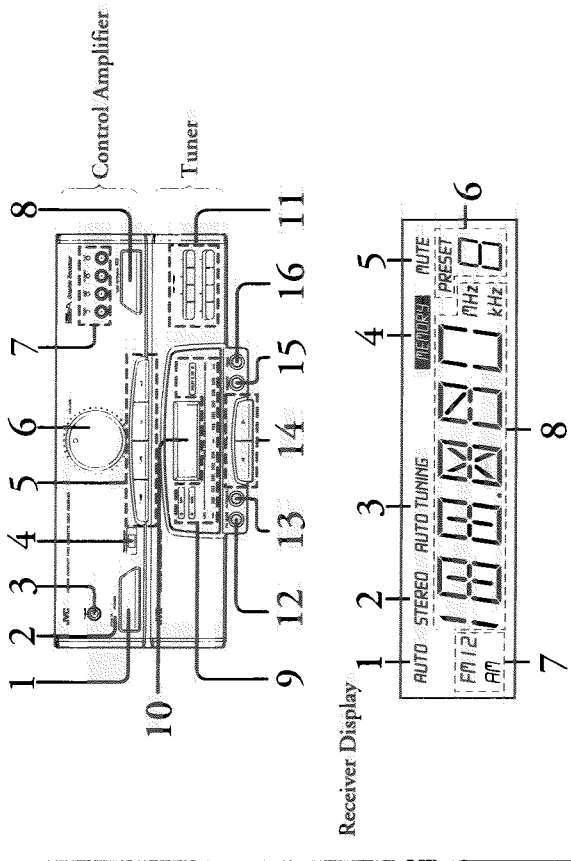
NOTE:

- If the remote control sensor window is in a position where it receives strong light such as sunlight or fluorescent light, control may not be possible.
- When the remote control is unable, replace the batteries with new ones.

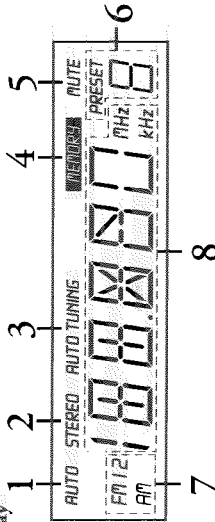
RECEIVER

The receiver consists of a control amplifier and tuner.

Receiver Section



Receiver Display



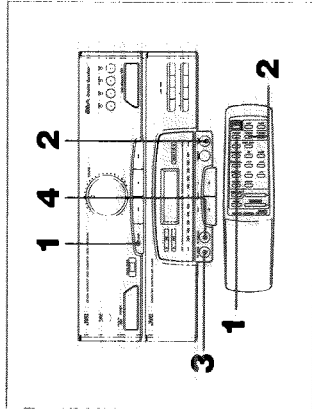
Part Names and Functions

- Control Amplifier**
- 1 POWER button : Turns on the DC-ME3 or puts it in STANDBY mode.
 - 2 STANDBY lamp : Lights on in red when the POWER is STANDBY mode.
 - 3 PHONES jack
 - 4 REMOTE SENSOR window
 - 5 Sound source switching buttons
 - 6 VOLUME control
 - 7 SEA graphic equalizer buttons with indicator lamps
 - 8 BASS EXTENSION button
- Tuner**
- 9 Indicator lamps : REC, C-O, DOLBY B NR, POWER LEVEL INDICATOR
 - 10 Receiver display
 - 11 TUNER PRESET buttons : Used to preset broadcasting stations to these buttons.
 - 12 FM/MODE button : Switches stereo auto to mono and vice versa.
 - 13 AUTO/MANU button : Switches auto tuning to manual tuning and vice versa.
 - 14 TUNING (DOWN/UP) button
 - 15 MEMORY button : Used to memorize broadcasting stations you want to preset.
 - 16 FM/AM button : Switches between FM and AM in order FM1 → FM2 → AM.
- Receiver Display**
- 1 AUTO indicator : Disappears in monaural mode.
 - 2 STEREO indicator : Appears when stereo broadcast is received in FM auto mode.
 - 3 AUTO TUNING indicator : Appears in auto tuning mode.
 - 4 MEMORY indicator : You can preset the radio band while MEMORY appears.
 - 5 MUTE indicators : Appears when you press MUTE on the remote control unit.
 - 6 PRESET number : Indicates the preset number you chose.
 - 7 FM/AM indicator : Indicates the radio band (FM1, FM2, or AM).
 - 8 Input mode (CD, TAPE, and AUX) and radio frequency : Indicates radio frequency by pressing TUNER of sound source switching buttons.

RECEIVER

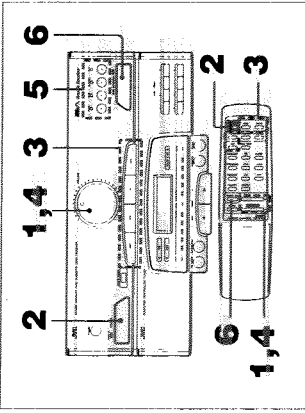
Tuning in Stations

Make sure POWER is on.



- 1 Press TUNER; the currently set frequency appears on the receiver display.
- 2 Press FM/AM to choose FM1 or FM2 when you listen to the FM radio and AM when you listen to the AM radio. The radio band you chose then appears on the receiver display.
- 3 Here, if you choose the FM radio, press FM/MODE button. When AUTO appears, stereo and mono modes can automatically be set.
- 4 Press AUTO/MANU. AUTO TUNING then appears on the receiver display in auto tuning mode and no message in manual tuning mode. If you choose the AUTO tuning mode: Press TUNING UP (higher frequencies) or DOWN (lower frequencies) once; the tuner will automatically search for a broadcasting station and stop when the first is found. To stop the search, press AUTO/MANU again. If you choose the MANU tuning mode: Press TUNING UP or DOWN several times until the station you want to listen to appears on the receiver display.

Common Operations



The procedure below is common to operate the tuner, cassette deck, and CD player.

- 1 Turn the VOLUME control counterclockwise to reduce before turning the POWER button on.
- CAUTION**
- If do not do so, a high sound volume may damage both speakers and your hearing.
- 2 Press POWER on the upper-left of the control amplifier or remote control. The red STANDBY indicator lamp then goes off; the blue receiver display and CD display light on.
 - 3 Press TUNER, TAPE, CD, or AUX to choose a sound source to which you want to listen from the tuner, cassette deck, CD player, and AUX (option).
 - 4 Adjust the VOLUME. The power level indicator that shows five power levels of the right and left channels respectively blinks according to the volume of the sound source. Numbers 0 to 30 around the volume indicate volume levels.
 - 5 Select a sound effect (SEA) you like from ROCK, JAZZ, CLASSIC, and FLAT.
 - 6 Press BASS EXTENSION as required.

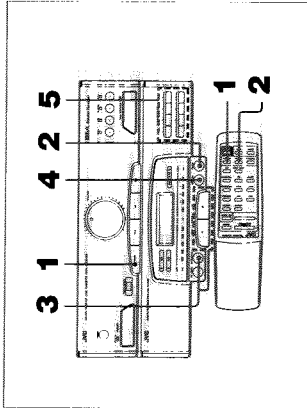
Listening with Headphones

A standard pair of headphones can be connected at the PHONES jack on the control amplifier. When the headphones are connected, no sound can be heard from the speakers. Be sure to turn down the volume before connecting or putting on headphones, as high volume can damage both headphones and your hearing.

RECEIVER

Presetting Stations

Make sure that POWER is on.



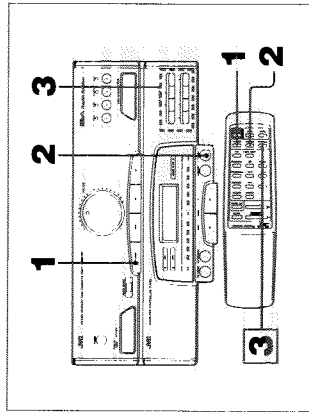
- 1 Press TUNER.
- 2 Press FM/AM to choose FM1, FM2, or AM.
- 3 As described in step 4 on page 10, press AUTO/MANU and then TUNING UP or DOWN to choose the station you want to preset, while checking the frequencies that appear on the receiver display.
- 4 After the station you want to preset appears, press MEMORY. MEMORY then appears on the receiver display for 5 seconds.
- 5 While MEMORY is displayed, press TUNER PRESET number (1 through 8) you want to set to the chosen station; the number you pressed appears on the receiver display. Presetting a station is now completed.

Repeat steps 2 through 5 to preset another station. You can preset up to eight stations for each radio band (FM1, FM2, AM), i.e., 24 stations in all.

NOTE:
 • If MEMORY disappears before pressing TUNER PRESET, perform this procedure from step 4 again.
 • If you make a mistake in presetting, perform this procedure from step 2 or 3 again.

Listening to the Stations You Preset

Make sure POWER is on.



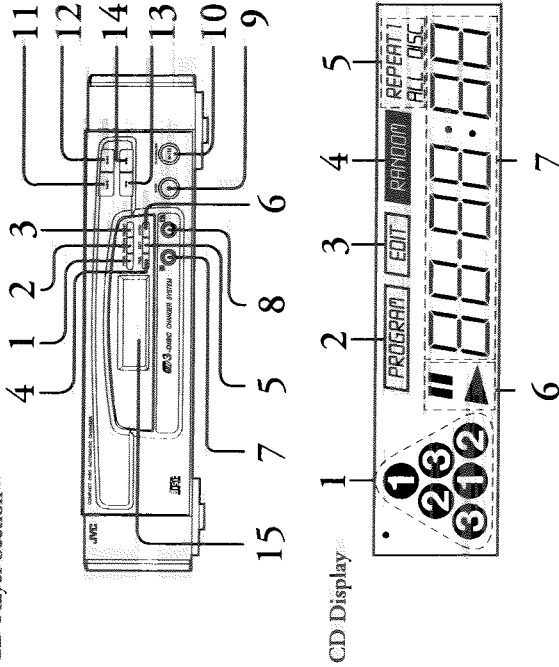
- 1 Press TUNER.
 - 2 Press FM/AM to choose FM1, FM2, or AM.
 - 3 Press TUNER PRESET (1 through 8) you want to choose.
 - 3 Press P.SCAN on the remote control panel once automatically switches to the stations you preset in the order of 1 to 8. Pressing P.SCAN again stops scanning. Also, pressing P.SCAN successively twice scans to the next preset station quickly.
- NOTE:** You cannot memorize broadcasting stations using the remote control.

Listening to AUX

Press AUX, then turn the AUX equipment source power on.

CD (Compact Disc) PLAYER

CD Player Section



degrees to select a different disk to play.

- 8 OPEN /CLOSE button
 - 9 STOP button
 - 10 PLAY/PAUSE button
 - 11 REPEAT/EDIT button: Plays from the beginning of the track.
 - NOTE: Pressing REPEAT twice plays from the beginning of the preceding track.
 - 12 TRACK button: Plays from the beginning of the next track.
 - 13 REWIND button: Goes back as long as you hold.
 - 14 F.F. button: Advances as long as you hold down this button.
 - 15 CD display
- The following appear on the CD display:

CD Display

- 1 Disc tray number indicator
- 2 PROGRAM indicator
- 3 EDIT indicator
- 4 RANDOM indicator
- 5 REPEAT indicator
- 6 Play/Pause indicator
- 7 Track number/time display

Part Names and Functions

CD Player Section

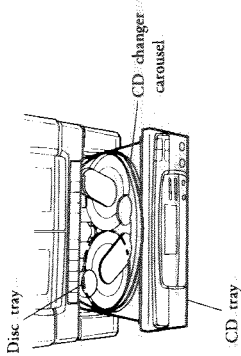
- 1 PROG button: Used to specify the order of the tracks you want to play.
- 2 RANDOM button: Plays tracks at random.
- 3 REPEAT button: Has the following three functions:
 REPEAT 1 ... Repeats the track currently being played.
 REPEAT DISC ... Repeatedly plays the CD.
 REPEAT ALL DISC ... Repeats all the set CDs.
 These functions are switched each time REPEAT is pressed.
- 4 TIME button

Pressing TIME during CD play displays the following in sequence:

1. Track running time
2. Remaining track time
3. Remaining CD playing time
- 5 EDIT button: Used to automatically edit each track playing time according to the tape length during tape recording.
- 6 INTRO button: Plays only the beginning of each track.
- 7 DISC SKIP button: Clockwise turns the carousel 120

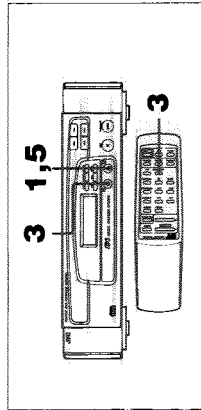
CD PLAYER

Part names of the CD tray



Setting CDs on the CD Tray

To Set CDs

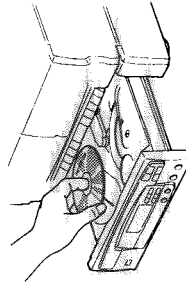


1 Press OPEN/CLOSE; the CD tray comes out toward you.

CAUTION

Do not put anything in the front of the CD tray.

2 Put the CD you want to listen to first on the left empty disc tray of the CD-changer carousel and the next CD on the right with the label facing up. The CD on the left, numbered ①, appears on the CD display and one on the right is numbered ②.



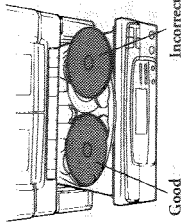
NOTE :

- When using an 8 cm CD, place it on the inner circle of the disc tray.
- It is possible to play only the disks marked by the following:



CAUTION

Place the disc correctly on the circle of the disc tray.



3 Press DISC SKIP.

The CD-changer carousel turns clockwise; the CD you put first moves inward and an empty disc table appears on the right.

4 Put the last CD on the right empty disc tray. This CD, numbered ③, appears on the CD display.

5 Press OPEN/CLOSE to close the CD tray.

NOTE

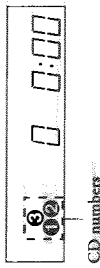
- If you do not set CDs as described in this procedure, CD numbers on the CD display will not appear in the order in which you put them.
- During play, you can open the CD tray to replace the existing CD with a new one or add a new CD on an empty disc tray.

CAUTION

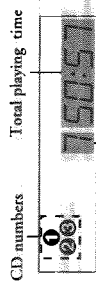
- The CD tray must not remain opened.
- Never insert your hand in the inner part of the CD tray since a laser beam is radiated.
- Do not put a disc stabilizer, etc. other than CDs on the CD tray. It will result in trouble.

Relationship between CD Positions and CD Numbers

When you first press CD, CD numbers are arranged on the CD display as shown below. (Initial state)



However, if CD is already set on the innermost disc tray of the CD-changer carousel, CD numbers are displayed as shown below.



CD positions

When setting one CD → The CD is numbered ①

When setting two CDs → The CD you put on the left is numbered ① and the one you put on the right ②

When setting three CDs → The CD you first put on the left is numbered ①

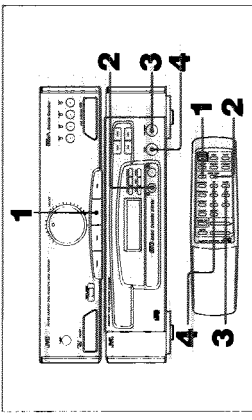
The 2nd and 3rd discs are numbered like below.



CD PLAYER

Listening to CDs

The CD at the top of the CD number triangle is always played.



1 Press CD.

2 Press DISC SKIP until the number of the CD you want to listen to appears at the top of the CD number triangle of the CD display. The number of tracks and total playing time of the CD then appear on the CD display.

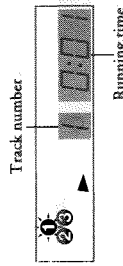
Total playing time



Number of tracks

NOTE : If you do not press DISC SKIP, the DC-ME3 automatically plays the set CDs in sequence.

3 Press PLAY/PAUSE; the CD you chose is played. ▶ (play), track number, and running time of the track appear on the CD display.



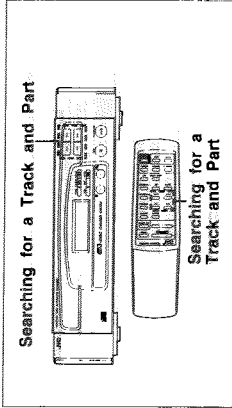
If you press PLAY/PAUSE during play, the CD play temporarily stops and H (pause) appears on the CD display. The number of the CD currently playing blinks at the top of the CD number triangle. Pressing PLAY/PAUSE again replays the CD. The CD player automatically stops when the last track on the CD ends playing.

4 Press STOP to end play.

NOTE : During CD play, you can switch to other sound source, e.g., tuner or tape by pressing TUNER or TAPE. Switch back to CD as the sound source by pressing CD, the DC-ME3's Resume function automatically plays from the CD position prior to switching.

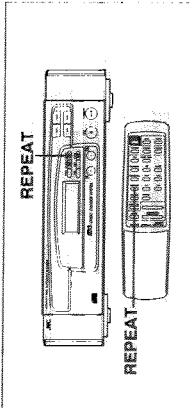
CD PLAYER

Searching for a Track and Part



Press **SEARCHING FOR A TRACK AND PART** or **SEARCHING FOR A TRACK AND PART**; tracks are switched successively.
Pressing **SEARCHING FOR A TRACK AND PART** or **SEARCHING FOR A TRACK AND PART** enables you to choose a part of a track.

Repeating CD Play



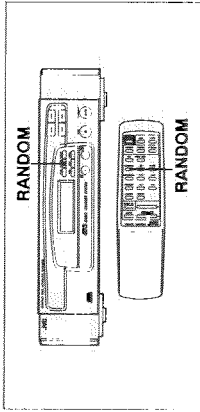
Press REPEAT several times to choose the repeat mode.



NOTE :
• You can only change the repeat mode when CD is the selected sound source.
• You can also repeat in program play and random play modes.
In this case, the rotation changes as follows :

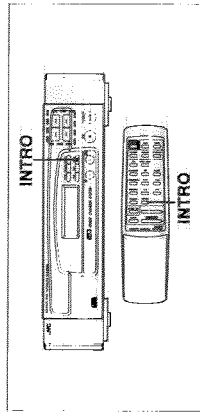


Random Play



Press RANDOM; all tracks on the set CDs are played once at random.
To release random mode, press RANDOM again or press STOP.

Listening to only the Beginning of each Track (Intro Play)



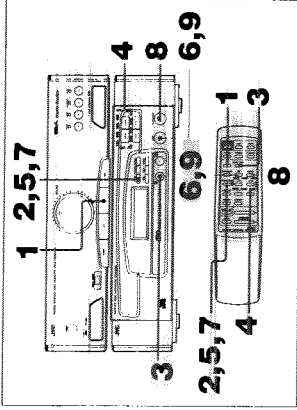
Press INTRO; the beginning of each track on all the CDs is played for 10 seconds.

Pressing INTRO again continues the play of the track you are listening to.

NOTE :
You can also use INTRO in program play and random play modes.

Playing only the Desired Tracks on CD (Program Play)

You can program tracks on all the CDs set in the CD tray.



To Program Tracks

- 1 Press CD; CD appears on the receiver display.
- 2 Press PROG.; PROGRAM appears on the CD display. The disc number is reset. The disc on the left then changes to number 1 and blinks. Check the CD number and CD position.



- 3 Press DISC SKIP to choose CD you want to listen to. The number of the CD you chose blinks on the CD display.

- 4 Press the **SEARCHING FOR A TRACK AND PART** or **SEARCHING FOR A TRACK AND PART** to choose the track number you want to include from the CD.

- 5 Press PROG. again. The track you chose is then programmed and the CD display changes to the next program number: 00:00.

Repeat steps 3 through 5 to program another track.

NOTE :

- You can program up to 32 tracks. The track added later is programmed following the already programmed tracks.
- To check the order of the programmed tracks, press TIME during display of the program mode. Each you press TIME, the disc, track, and program numbers appear on the CD display from the first.

- 6 Press STOP when you have programmed all the tracks you want to listen to.

NOTE :

Go to step 8 directly to play the programmed tracks without pressing STOP.

CD PLAYER

To Play the Programmed Tracks

- 7 Press PROG. PROGRAM appears on the CD display and the programmed contents are called.

- 8 Press PLAY/PAUSE.

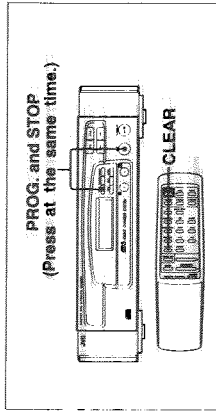
Tracks are played successively from the first programmed track number.

NOTE : When the programmed track number is not found on the set CD, it is skipped and the next one will be played if programmed.

- 9 Press STOP to end play.

NOTE : Pressing STOP only stops the play of the programmed tracks, the programmed contents are not cleared.

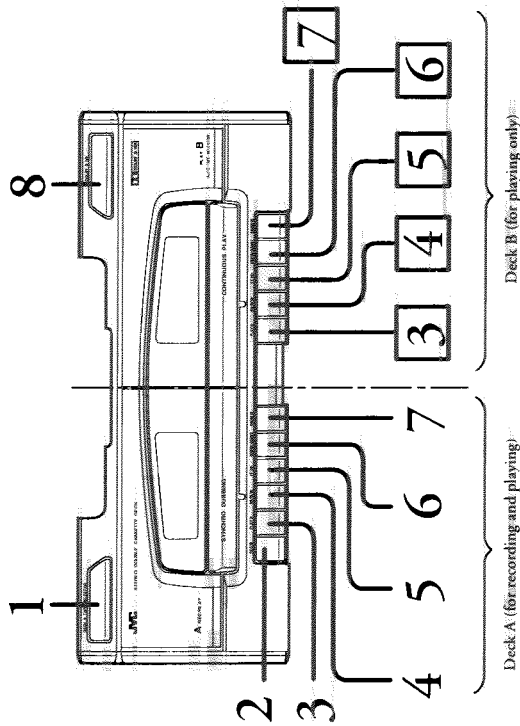
To Clear all of the Programmed Contents



Press PROG. and STOP on the CD player at the same time or CLEAR on the remote control unit.

CASSETTE DECK

Cassette Deck Illustration



Part Names and Functions

NOTE: You cannot operate the tape deck using the remote control.

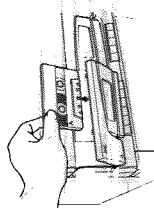
- 1 DECK A TAPE SELECTOR: Used to select type II (C60) tape.
- 2 REC: Starts recording. The red RECORD lamp lights on.
- 3 PLAY: Starts tape playing.
- 4 REW: Rewinds tape.
- 5 FF: Fast forwards tape.
- 6 STOP/EJECT: Stops the tape play. Pressing this button again opens the tape compartment.
- 7 PAUSE: Pauses the tape play. Pressing this button again releases the pause state.
- 8 DOLBY BNR button: Press this button for recording and NR tape playing. The DOLBY BNR lamp lights on.

CAUTION

- A tape recorded in DOLBY BNR mode must be played by setting the DOLBY BNR mode.
- NOTE:
 - Dolby B noise reduction manufactured under license from Dolby Laboratories Licensing Corporation.
 - "DOLBY" and the double-D symbol are trademarks of Dolby Laboratories Licensing Corporation.

To Set a Tape in Deck A or B

Press STOP/EJECT of deck A or B to open its tape compartment.
Insert a cassette tape in the deck with the tape side down and the side you want to play facing forward.

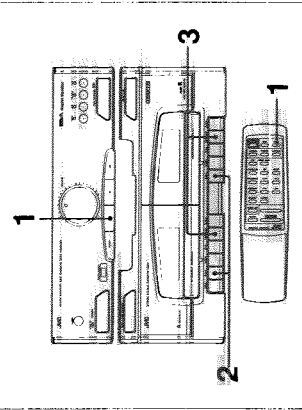


Push the tape compartment to close.

CAUTION

The use of C-120 (C-120 minutes turn around) or thinner tape is not recommended, since characteristic deterioration may occur and these tape easily jam in the pinch-rollers and the capstan.

To Play the Tape (Normal Play)



- 1 Press TAPE, TAPE appears on the receiver display.

NOTE

- To play a type II (C60) tape with deck A, press DECK A TAPE SELECTOR to light on the C60 lamp. However, this is not necessary to use deck B because deck B has the auto tape selector function.
- To play a tape recorded in DOLBY BNR mode, press DOLBY BNR to light on the lamp. Other setting will result in change of the sound quality.

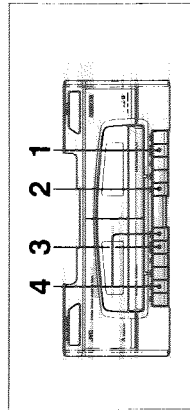
CASSETTE DECK

- 2 Press PLAY of the deck in which you inserted a tape; the tape starts playing.
If you want to interrupt the tape playing, press PAUSE. To release the pause state, press PAUSE again.

- 3 Press STOP/EJECT to stop the tape playing. Pressing STOP/EJECT again ejects the tape.
If you want to rewind and fast forward, press REW or FF respectively.

NOTE: If both decks A and B are used to play, B becomes the initial sound source.

To Continuously Listen to Tapes in both Decks A and B (Continuous Play)



- 1 Press STOP/EJECT of deck B and insert the tape you want to listen to first in deck B.
- 2 Press PLAY of deck B; the tape on deck B will start playing.
- 3 Press STOP/EJECT of deck A and insert the tape you want to listen to next in deck A.
- 4 On deck A press PAUSE and then PLAY. The tape on deck A is then placed into pause state and automatically released when the tape on deck B reaches the end.

RECORDING

Before Recording

You can record all the DC-ME3 sound sources using cassette deck A. Deck B is only for playing. The recording levels are automatically adjusted according to source input levels.

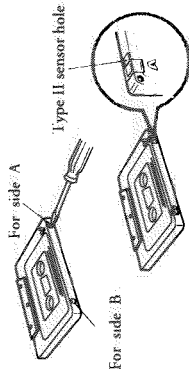
NOTE: It should be noted that it may be unlawful to re-record pre-recorded tapes, records, or discs without the consent of the owner of copyright in the sound or video recording, broadcast or cable program and in any literary, dramatic, musical, or artistic embodied therein.

CAUTION

When the tape in deck B is in Play or Pause, you cannot record from the radio, CD, and AUX.

NOTE:

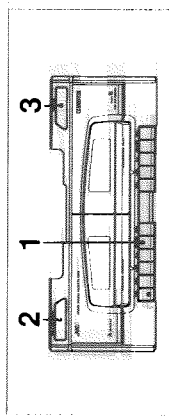
- Two small tabs on the back, one for side A and one for side B, can be removed to prevent erasure or re-recording.
- When you want to record again on a cassette tape with broken erasure prevention tabs, cover the hole with a double layer of adhesive tape. In this case, do not cover the type II (C/O) sensor hole.



NOTE: You cannot use type IV (metallic) tape for recording.

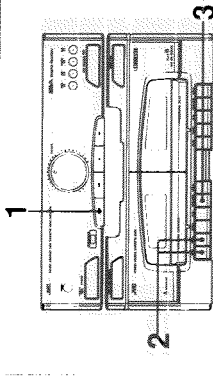
To Set a Recording Tape in Deck A

Be sure to prepare a recording tape fitting to the source tape playing time.



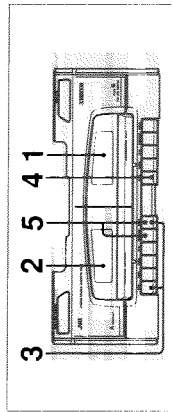
- 1 Press STOP/EJECT of deck A. Insert a recording tape in deck A.
- 2 Press DECK A TAPE SELECTOR when using type II (C/O) tape. The red C/O indicator lamp lights on.
- 3 Press DOLBY B NR; the red DOLBY B NR indicator lamp lights on.

To Record from the Radio



- 1 Press TUNER and choose a broadcasting station you want to record.
 - 2 Press REC: recording starts.
- NOTE:**
- PLAY: is automatically pressed together with REC.
 - Pressing PAUSE of deck A interrupts the recording.
- 3 Press STOP/EJECT to end the recording.

To Record from Another Tape (Dubbing)



- 1 Insert a source tape in deck B.
- 2 Insert a recording tape in deck A. **NOTE:** DOLBY B NR must be off because a DOLBY B NR tape is dubbed as NR remains set to ON.
- 3 Press PAUSE and then REC of deck A to place the recording tape into pause state.
- 4 Press PLAY on deck B; the tapes in decks A and B start winding at the same time. You can then listen to the another source.
- 5 After the tape in deck B stops, press PAUSE or STOP/EJECT of deck A to also stop the tape in deck A.

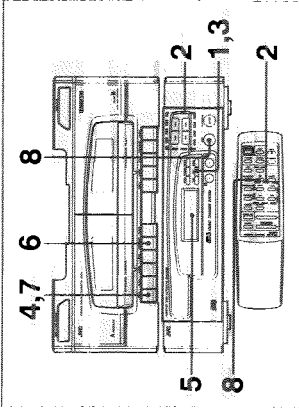
NOTE: The tape in deck A does not stop unless it reaches its end even if the tape in deck B reaches its end or is stopped. To record the other side of the source tape, press STOP/EJECT and insert the tape, reversing its side.

RECORDING

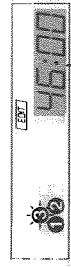
Recording CDs with EDIT

The DC-ME3 automatically edits all the tracks so that they are completely recorded on the tape.

Use DISC SKIP to set the desired CD on the innermost disc tray. (See page 13.) The total playing time and number of tracks are displayed on the CD display.



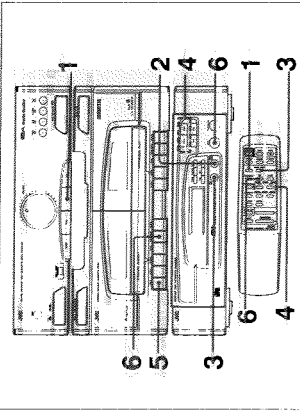
- 1 Press EDIT; EDIT appears on the CD display.



Total tape length

- NOTE:** In this case, set a longer tape than the total playing time in deck A.
- 2 Press <4> or <5> to choose the total tape length of sides A and B; <4> 54 or <5> 60 appears on the CD display. Pressing <4> or <5> enables you to fine-adjust the tape time in minute units (1 to 99).
 - 3 Press EDIT again; the pause indicator, tape side, and total playing time of side A appear on the CD display.
 - 4 Press REC: The CD starts 8 seconds after the tape starts. (SYNCHRO DUBBING)
 - 5 After the recording of side A is completed, the CD enters pause mode. The tape side B and the remaining playing time then appear on the CD display to instruct you to prepare to record side B.
 - 6 Press STOP/EJECT. Reverse the tape side and re-insert in deck A.
 - 7 Press REC; the remaining tracks are recorded on side B.
 - 8 Press STOP to release edit mode; EDIT disappears.

To Record from CDs Recording Tracks on CDs



- 1 Press CD.
- 2 Press OPEN/CLOSE. Put CDs in the CD tray. You can set up to three CDs. Press OPEN/CLOSE again to close the CD tray.
- 3 Press DISC SKIP to choose CD. Press OPEN/CLOSE again to close the CD tray.
- 4 Press <4> or <5> to set the track you want to record.

NOTE:

To successively record multiple CDs, press REPEAT to light on the REPEAT ALL DISC lamp.

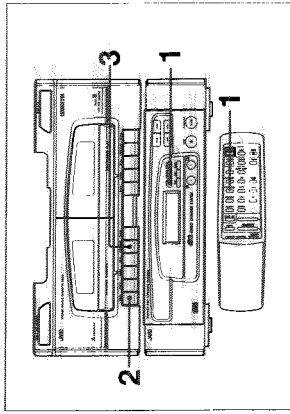
- 5 Press REC of deck A. The track is then played and recorded on the tape.
- 6 After the track recording is completed, press STOP on the CD player and STOP/EJECT on deck A.

FOR YOUR INFORMATION

RECORDING

To Record from AUX

First, program the tracks you want to record in order. (See page 16.)



- 1 Press PROG.; PROGRAM appears on the CD display.
- 2 Press REC.; tracks are recorded in the order you programmed them.
- 3 Press STOP/EJECT on deck A after the programmed play ends.

In general, you will have the best performance by keeping your tapes, CDs, and the mechanism clean.

- Store tapes and CDs in their cases, and keep them in cabinets or on shelves.
- Keep the tape deck tape carriers and the CD tray closed when not in use.

Cassette Tape



- If the tape is loose in its cassette, take up the slack by inserting a pencil in one of the reels and rotating.
- If the tape is loose it may get stretched, cut, or caught in the cassette.

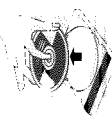


- Do not touch the tape surface.

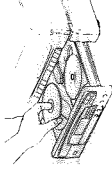


- Do not store the tape:
 - In dusty places
 - In direct sunlight or heat
 - In moist areas
 - On a TV or speaker
 - Near a magnet

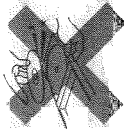
Compact Discs



- Remove the CD from the case by holding it at the edges while pressing the center hole lightly.
- Do not touch the shiny surface of the CD, or bend the CD.



- Place the CD into the open tray with the label facing up.



- Put the CD back in its case after use to prevent warping.
- Be careful not to scratch the surface of the CD when placing it back in the case.
- Avoid exposure to direct sunlight, temperature extremes, and moisture.



- A dirty CD may not play correctly. If a CD does become dirty, wipe it with a soft cloth in a straight line from center to edge.

CAUTION

Do not use any solvent (for example, conventional record cleaner, spray, thinner, benzine, etc.) to clean a CD.

About moisture condensation

Moisture may condense on the lens inside the unit in the following cases:

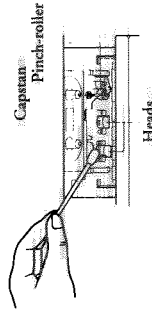
- After starting the heating in the room.
 - In a damp room.
 - If the unit is brought directly from a cold to a warm place.
- Should this occur, the unit may malfunction. In this case, leave the unit turned on for a few hours until the moisture evaporates, unplug the AC power cord, and then plug it in again.



Cassette Deck

- If the heads, capstans, and pinch-rollers of the tape deck become dirty, the following will occur:
 - Impaired sound quality
 - Discontinuous sound
 - Fading
 - Incomplete erasure
 - Difficulty recording

- Clean the heads, capstans, and pinch-rollers of both decks A and B using a cotton swab moistened with alcohol.

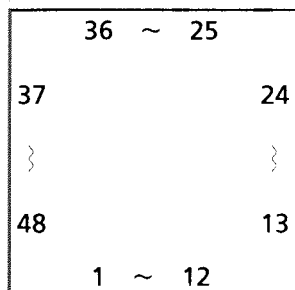


- If the heads become magnetized, they will produce noise or lose high frequencies.
- To demagnetize the heads, turn off the system, and use a head demagnetizer (available at electronics and record shops).

Description of Major LSIs

■ CXA1782BQ (IC01) : RF SIGNAL PROCESSING SERVO AMP.

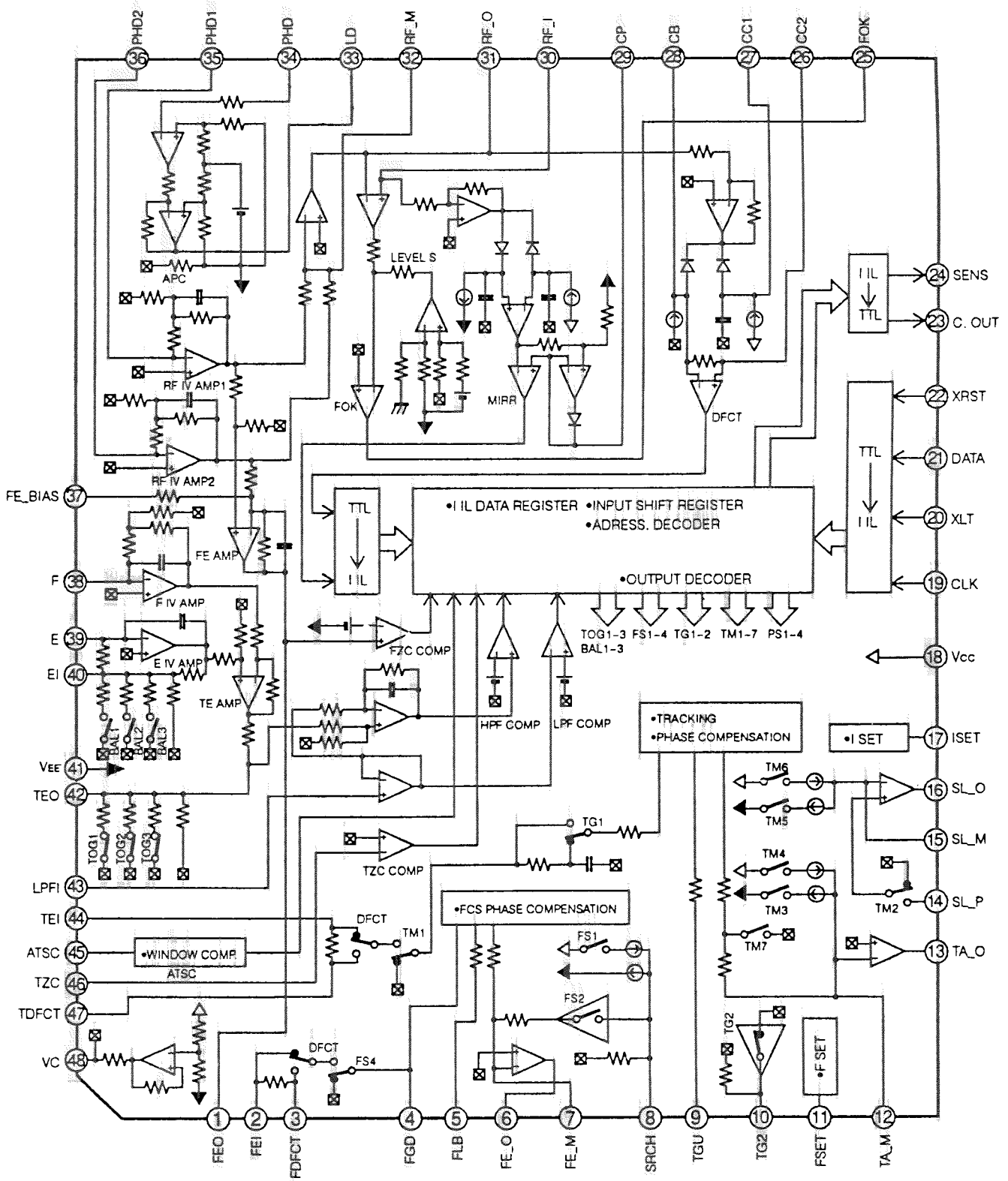
1. Terminal Layout



2. Description

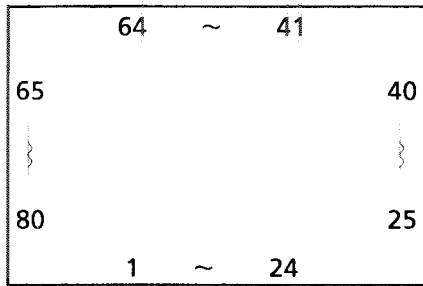
| Pin No. | Symbol | I/O | Description | Pin No. | Symbol | I/O | Description |
|---------|--------|-----|--|---------|--------------|-----|--|
| 1 | FEO | I | Focus error amplifier output. Connected internally to the FZC comparator input. | 24 | SENS | O | Output FZC, DFCT, TZC, gain, balance, and others according to the command from CPU. |
| 2 | FEI | I | Focus error input. | 25 | FOK | O | Focus OK comparator output. (DC voltage: 10kΩ load resistance is connected.) |
| 3 | DFCT | I | Capacitor connection pin for defect time constant. | 26 | CC2 | O | Input pin for the DEFECT bottom hold output capacitance-coupled. |
| 4 | FGD | I | Ground this pin through a capacitor when decreasing the focus servo high-frequency gain. | 27 | CC1 | I | DEFECT bottom hold output. |
| 5 | FLB | I | External time constant setting pin for increasing the focus servo low frequency. | 28 | CB | I | Connection pin for DEFECT bottom hold capacitor. |
| 6 | FE O | O | Focus drive output. | 29 | CP | I | Connection pin for MIRR hold capacitor. MIRR comparator non-inversed input. |
| 7 | FEM | I | Focus amplifier negative input pin. | 30 | RF I | I | Input pin for the RF summing amplifier output capacitance-coupled. |
| 8 | SRCH | I | External time constant setting pin for generating focus servo waveform. | 31 | RF O | O | RF summing amplifier output Eye pattern check point. |
| 9 | TGU | I | External time constant setting pin for switching tracking high-frequency gain. | 32 | RF M | I | RF summing amplifier inversed input. The RF amplifier gain is determined by the resistance connected between this pin and RFO pin. |
| 10 | TG2 | I | External time constant setting pin for switching tracking high-frequency gain. | 33 | LD | O | APC amplifier output. |
| 11 | FSET | I | High cut off frequency setting pin for focus and tracking phase compensation amplifier. | 34 | PHD | I | APC amplifier input. |
| 12 | TAM | I | Tracking amplifier negative input pin. | 35,36 | PHD1 PHD2 | I | RF I-V amplifier inversed input. Connect these pins to the photo diode A+C and B+D pins. |
| 13 | TA O | O | Tracking drive output. | 37 | FE BIAS | I | Bias adjustment of focus error amplifier. |
| 14 | SLP | I | Sled amplifier non-inversed input. | 38,39 | F,E | I | F I-V and E I-V amplifier inversed input. Connect these pins to the photo diodes F and E. |
| 15 | SLM | I | Sled amplifier negative input pin. | 40 | EI | -- | I-V amplifier E gain adjustment. (When not using automatic balance adjustment.) |
| 16 | SLO | O | Sled drive output. | 41 | VEE | -- | Power supply. |
| 17 | ISET | I | Setting pin for Focus search, Trackjump, and Sled kick current. | 42 | TEO | O | Tracking error amplifier output. |
| 18 | VCC | -- | Power supply. | 43 | LPFI | I | Comparator input for balance adjustment. (Input from TEO through LPF.) |
| 19 | CLK | I | Serial data transfer clock input from CPU. (no pull up resistance.) | 44 | TEI | I | Tracking error input. |
| 20 | XLT | I | Latch input from CPU. (no pull up resistance.) | 45 | ATSC | I | Window comparator input for ATSC detection. |
| 21 | DATA | I | Serial data input from CPU. (no pull up resistance.) | 46 | TZC | I | Tracking zero-cross comparator input. |
| 22 | XRST | I | Reset input: resets at Low. (no pull up resistance.) | 47 | TDFCT | I | Capacitor connection pin for detect time constant. |
| 23 | C.OUT | O | Track number count signal output. | 48 | VC | O | (VCC+VEE)/2 DC voltage output. |

3. Block Diagram

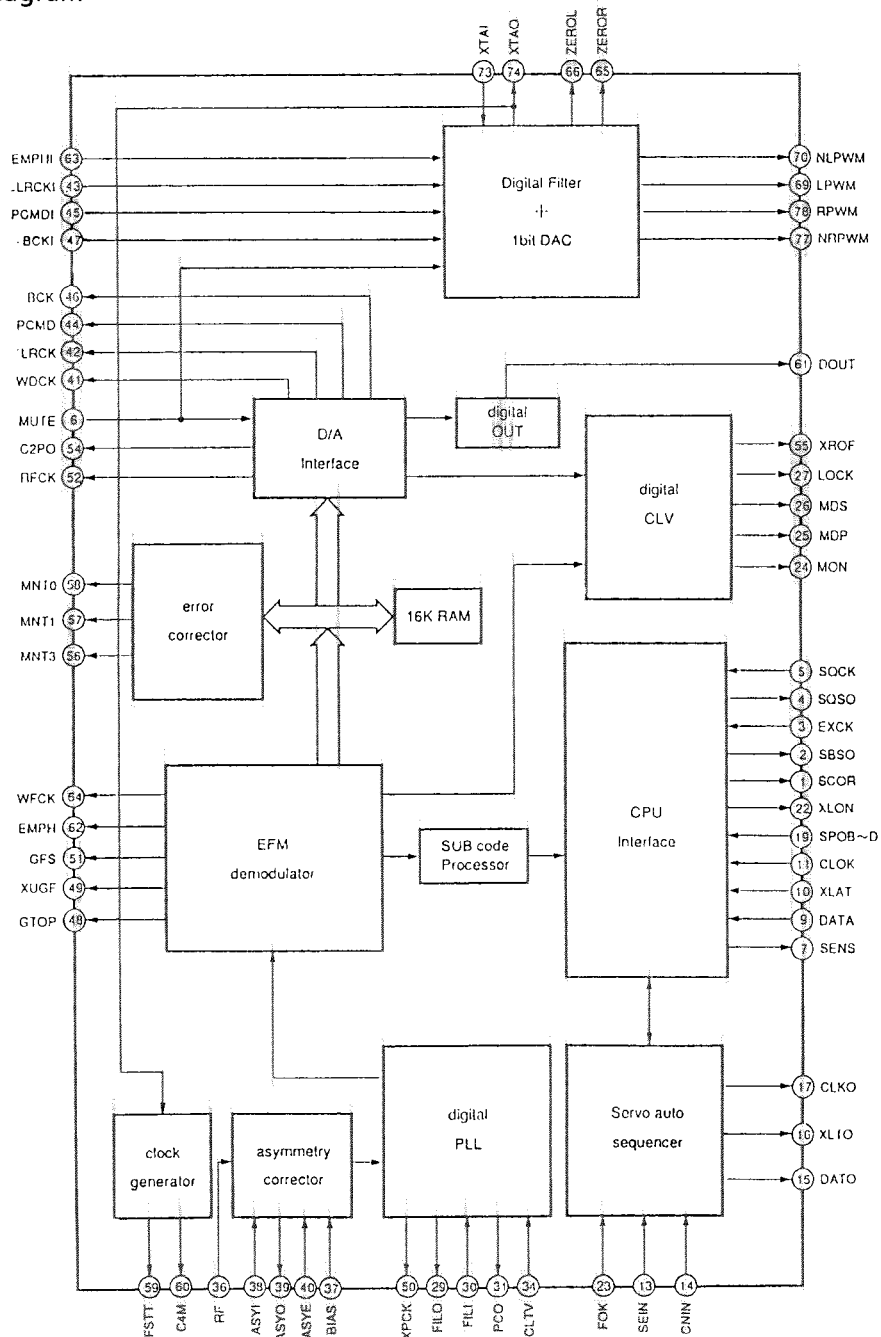


■ CXD2518Q(IC04) : DIGITAL SIGNAL PROCESSOR W/DAC

1. Terminal Layout



2. Block Diagram

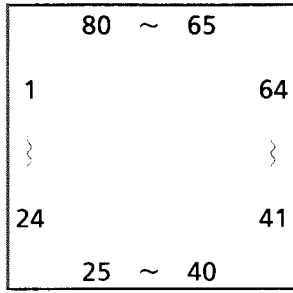


3. Pin Functions

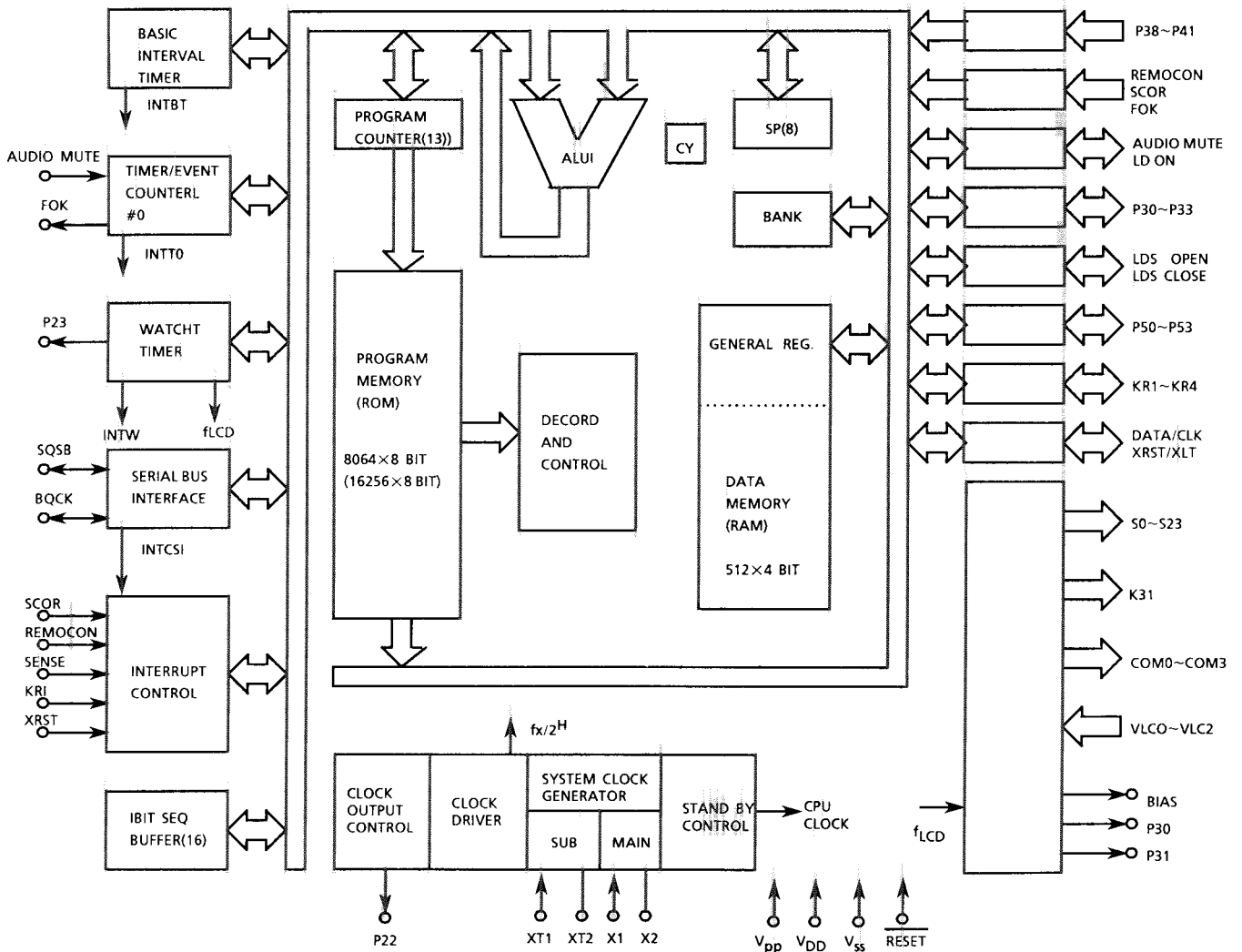
| Pin No | Symbol | I/O | Function | Pin No | Symbol | I/O | Function |
|--------|--------|-----|--|--------|--------|-----|---|
| 1 | SCOR | O | Turns "H" when subcode Sync S0 or S1 is detected. | 36 | RF | I | EFM signal input. |
| 2 | SBSO | -- | Non connection | 37 | BIAS | -- | Connected to V _{DD} |
| 3 | EXCK | I | Clock input for reading SBSO. | 38 | ASYI | I | Asymetry a revised circyit compalate voltage input |
| 4 | SQSO | O | Serial outputs 80-bit Sub Q | 39 | ASYO | O | EFM full-swing output. |
| 5 | SQCK | I | Clock input for reading SQSO. | 40 | ASYE | I | L: Asymetry revise OFF H: Asymetry revise ON |
| 6 | MUTE | I | "H" for muting, "L" for release. | 41 | WDCK | -- | Non connection |
| 7 | SENS | O | SENS output to CPU. | 42 | LRCK | O | D / A interface for 48-bit slot. LR clock f = Fs. |
| 8 | XRST | I | System reset. "L" for resetting. | 43 | LRCKI | I | LR clock input to DAC. |
| 9 | DATA | I | Inputs serial data from CPU. | 44 | PCMD | O | D/A interface, serial data (2'SCOMP, MSB first) |
| 10 | XLAT | I | Latches serial data input from CPU at falling edge. | 45 | PCMDI | I | Audio data input to DAC. (48bit slot) |
| 11 | CLOK | I | Inputs serial data transfer clock from CPU. | 46 | BCK | O | D/A interface, bit clock. |
| 12 | VSS | -- | GND | 47 | BCKI | I | Bit clock input to DAC. (48bit slot) |
| 13 | SEIN | I | Inputs SENS from SSP. | 48~50 | | -- | Non connection |
| 14 | CNIN | I | Inputs track jump count signal. | 51 | GFS | O | GFS output |
| 15 | DATO | O | Outputs serial data to SSP. | 52 | | -- | Non connection |
| 16 | XLTO | O | Latches serial data output to SSP at falling edge. | 53 | VSS | -- | GND |
| 17 | CLKO | O | Outputs serial data transfer clock to SSP. | 54~61 | | -- | Non connection |
| 18 | TEST2 | I | Test pin (Normally at VDD) | 62 | EMPH | O | Emphasis ON :H, OFF:L |
| 19 | SPOB | I | μ-com expansion interface (input=B) | 63 | EMPHI | I | De-emphasis control of DAC. ON:H, OFF:L |
| 20 | SPOC | I | μ-com expansion interface (input=C) | 64~66 | | -- | Non connection |
| 21 | SPOD | I | μ-com expansion interface (input=D) | 67 | DTSI | I | Test pin1, Normally at "L". |
| 22 | XLON | -- | Non connection | 68 | VDD | -- | Digital power supply for DSP. |
| 23 | FOK | I | Focus OK input pin. Used for SENS output and servo auto sequencer. | 69 | LPWM | O | Lch PWM output. (positive) |
| 24 | MON | -- | Non connection | 70 | NLPWM | O | Lch PWM output. (negative) |
| 25 | MDP | O | Output for spindle servo control. | 71 | ADD2 | -- | Power supply for Lch PWM driver. |
| 26,27 | | -- | Non connection | 72 | ADD3 | -- | Power supply for X'tal. |
| 28 | TEST | I | Test pin (Normally at 0V) | 73 | XTAI | I | Input to 16.9344MHz Xtal oscillation circuit or 33.8688MHz input. |
| 29 | FILO | O | Output of filter for masterPLL (Slave=Digital PLL) | 74 | XTAO | O | Output of 16.9344 MHz Xtal oscillation circuit. |
| 30 | FILI | I | Input to filter for master PLL. | 75 | AVSS3 | -- | GND for X'tal. |
| 31 | PCO | O | Output of charge pump for master PLL. | 76 | AVSS2 | -- | GND for Lch PWM driver. |
| 32 | VDD | -- | Digital power supply for DSP. | 77 | NRPWM | O | Rch PWM output. (negative) |
| 33 | AVSS | -- | Analog GND for DSP. | 78 | RPWM | O | Rch PWM output. (positive) |
| 34 | CLTV | I | VCO control voltage input for master PLL. | 79 | DTS2 | I | Test pin2 for DAC, Normally at "L". |
| 35 | AVDD1 | -- | Analog power supply for DSP. | 80 | DTS3 | I | Test pin3 for DAC, Normally at "L". |

■ UPD 75312-504-282 (IC03) : SYSTEM CONTROLLER

1. Terminal Layout



2. Block Diagram

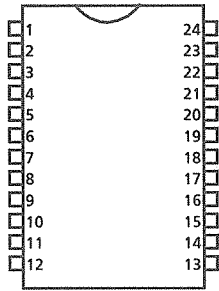


3. Pin Function

| Pin No. | Symbol | I/O | Function |
|---------|------------|-----|--|
| 1~9 | S12~S20 | O | This is LCD segment output |
| 10~12 | S21~S23 | — | Non connection |
| 13~16 | K31~K34 | O | Key matrix output |
| 17 | EMPHA313 | — | Non connection |
| 18 | MUTE | O | This is a terminal Lsi mute signal output |
| 19 | SYNC1 | — | Non connection |
| 20 | SYNC2 | — | Non connection |
| 21 | COM0 | O | Comon signal output terminal |
| 22 | COM1 | O | Comon signal output terminal |
| 23 | COM2 | O | Comon signal output terminal |
| 24 | COM3 | — | Non connection |
| 25 | BIAS | O | This is a terminal for cut the divide resistor of fixing the outside |
| 26 | VLC0 | — | This is a terminal of LCD driver power suply |
| 27 | VLC1 | — | This is a terminal of LCD driver power suply |
| 28 | VLC2 | — | This is a terminal of LCD driver power suply |
| 29 | OPEN | I | This is a terminal of drawer open switch detected |
| 30 | SCLOSE | I | This is a terminal of drawer close switch detected |
| 31 | SENS1 | I | This is a terminal of turn table mode switch detected |
| 32 | DISC | I | This is a terminal of CD sensor |
| 33 | Vss | — | Connected to GND |
| 34 | LD OPEN | O | This is a terminal of drawer motor open output |
| 35 | LD CLOSE | O | This is a terminal of drawer motor close output |
| 36 | MOVE1 | — | Non connection |
| 37 | MOVE2 | O | This is a terminal of turn table drive (disc change) |
| 38 | GFS | I | This is a terminal of GFS input |
| 39 | SQCK | O | Clock output for reading SBSO |
| 40 | SO | — | Non connection |
| 41 | SUBQ | I | Serial inputs 80-bit Sub Q |
| 42 | SCOR | I | Tuns "H" when subcode Sync S0 or S1 is detected |
| 43 | REMOCON | I | This is an input terminal for remote signal. |
| 44 | SENSE | — | SENCE input from Lsi |
| 45 | FOK | — | This is a terminal of Focus OK comparator input |
| 46 | AUDIO MUTE | I | This is a terminal of Audio mute signal input |
| 47 | LD ON | O | This is a terminal of Lazer ON signal output |
| 48 | P22 | — | Non connection |
| 49 | P23 | — | Non connection |
| 50 | P30 | — | This is a terminal of +5V (for digital) |
| 51 | P31 | O | Connected to GND |
| 52 | P32 | I/O | This is a terminal of track jump control signal |
| 53 | P32 | O | Connected to GND |
| 54 | VDD | — | This is a terminal of power suply |
| 55 | XT1 | — | Connected to GND |
| 56 | XT2 | — | Non connection |
| 57 | NC | — | Non connection |
| 58 | X1 | I | This is a X'tal of main system clock oscllation |
| 59 | X2 | I | This is a X'tal of main system clock oscllation |
| 60 | KR1 | I | This is a Key matrix input |
| 61 | KR2 | I | This is a Key matrix input |
| 62 | KR3 | I | This is a Key matrix input |
| 63 | KR4 | I | This is a Key matrix input |
| 68 | DATA | I | This is a serial data output terminal for Lsi |
| 65 | CLK | O | This is a terminal of outputs serial data transfar clock for Lsi |
| 66 | XLT | — | This is Latches serial data output for Lsi at falling edge |
| 67 | XRST | — | This is a terminal of system reset signal output. "L" for resetting |
| 68 | RESET | O | This is a system reset input terminal. "L" for resetting |
| 69~80 | S0~S10 | — | This is LCD segment output |

LA1831M (IC102) : FM AM IF AMP & detector, FM MPX Decoder

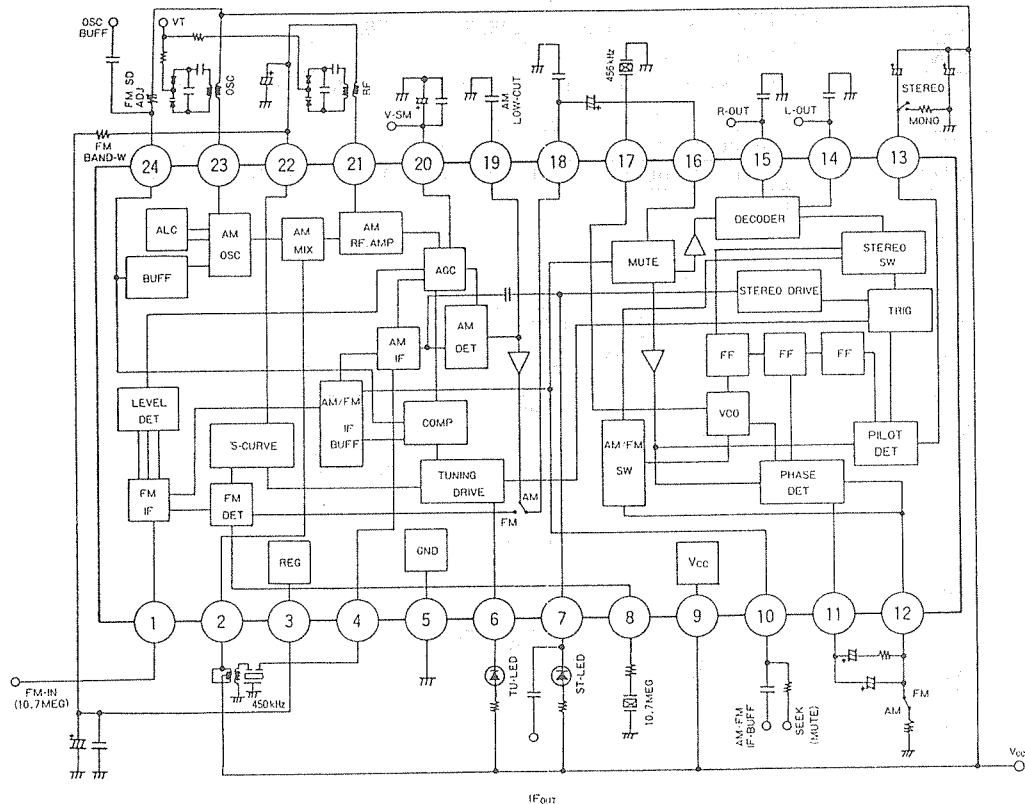
1. Terminal Layout



2. Pin Function

| Pin No. | Symbol | I/O | Function |
|---------|-----------------|-----|---|
| 1 | FM IF | I | Bypass of FM IF |
| 2 | AM MIX | O | This is an output terminal for AM mixer. |
| 3 | REG | — | Register value between pin4 and pin28 desides the frequency width of the input signal. |
| 4 | AM IF | I | Input of AM IF Signal. |
| 5 | GND | — | This is the device ground terminal. |
| 6 | TUNED LED | O | Tuned indicator output. Stereo : "L", Mono : "H" |
| 7 | STEREO LED | O | Stereo indicator output. Stereo : "L", Mono : "H" |
| 8 | FM DET | — | FM detect transformer. |
| 9 | VCC | — | This is the power supply terminal. |
| 10 | FM/AM IF //MUTE | O/I | When the signal of IF REQ of IC121(LC7218) appear, the signal of FM/AM IF output. //Muting control input. |
| 11 | | O/I | S Change over the FM / AM input. "H" : FM, "L" : AMmeter output and adjust AM SD sensitivity. |
| 12 | | | |
| 13 | MONO/ST | O | Stereo : "H", Mono : "L" |
| 14 | L OUT | O | Left channel signal output. |
| 15 | R OUT | O | Right channel signal output |
| 16 | MPX IN | I | Mpx input terminal. |
| 17 | MPX VCO | I | Voltage controlled oscillator terminal. |
| 18 | DET OUT | O | AM/FM detection output. |
| 19 | AM DET | — | AM low cut adjustment. |
| 20 | AM AGC | I | This is an AGC voltage input terminal for AM. |
| 21 | AM RF-IN | I | This is an input terminal for AM RF signal. |
| 22 | AFC | — | This is an output terminal of voltage for FM-AFC. |
| 23 | AM OSC | — | This is a terminal of AM Local oscillation circuit. |
| 24 | OSC BUFFER | O | AM Local oscillation Signal output. |

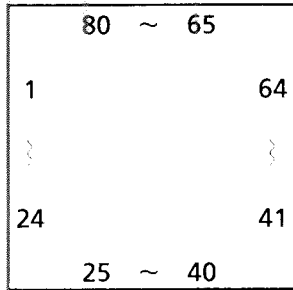
3. Block Diagram



CA-ME38

■ LC72322-8966 (IC701) : SYSTEM CONTROLLER

1. Terminal Layout



2. Terminal Function

| Pin No. | Symbol | I/O | Function | Active |
|---------|-----------------|-----|---|--------|
| 1 | XIN | I | X'tal oscillator connected (4.5MHz) | — |
| 2 | TEST1 | O | Connected to GND | — |
| 3 | REM | I | Remote signal input | L |
| 4 | STEREO | I | It is "L" when LCD indication "ST" | L |
| 5,6 | K5,K4 | I | Diode matrix input | H |
| 7 | CD | O | CD control output(Gearing the function switch) | H |
| 8 | FM | O | It is a terminal for every band power supply select | L |
| 9 | MW | O | It is every band power supply for select | L |
| 10 | VOL | O | Volume LED output | H |
| 11 | VOL U | O | It is "H" when up key is push | H |
| 12 | VOL D | O | It is "H" when Down key is push | H |
| 13 | MO/ST | O | Selected MONO and STEREO MONO:"H" STEREO:"L" | H |
| 14 | S.BASS | O | Super bass output Initial="L" All function toggle moved | L |
| 15 | CE | O | It is serial data line of LC7535 and LC7821 | H |
| 16 | DO | O | It is serial data line of LC7535 and LC7821 | H |
| 17 | CLK | O | It is serial data line of LC7535 and LC7821 | H |
| 18 | IFCNT | O | IF signal output | H |
| 19 | NOR/CRO2 | O | Normal and CrO ₂ select Initial="L" All function toggle move | H |
| 20 | PWR OUT | O | Power control terminal | H |
| 21 | AMUTE | O | Audio mute signal /Function mute | H |
| 22 | DOLBY | O | Dolby NR output Initial="L" All function toggle move | H |
| 23~30 | T0~T7 | O | Output signal for key scan | H |
| 31 | V _{DD} | I | Power supply (+5V) | — |
| 32~35 | K0~K3 | I | Key matrix input | H |
| 36~63 | S1~S28 | O | LCD segment driver terminal | — |
| 64 | COM1 | O | LCD comon driver terminal | — |
| 65 | COM2 | O | LCD comon driver terminal | — |
| 66 | TNT | I | Remotocontrol input | L |
| 67 | HOLD | I | It is back up mode when "L" | L |
| 68 | RES | — | Connected to V _{SS} | — |
| 69 | SD | I | It is communicate signal to catch a radiostation when auto tuning | L |
| 70 | HCTR | I | FM IF signal input | — |
| 71 | LCTR | I | AM IF signal input | — |
| 72 | SNS | I | It is transefer data to LC7821 and LC7535 when "H" | H |
| 73 | V _{DD} | — | This is a terminal of Audio mute signal input | — |
| 74 | FMIN | I | Local oscilation input from FM VCO | — |
| 75 | AMIN | I | Local oscilation input from AM VCO | — |
| 76 | V _{SS} | O | Connected to GND | — |
| 77 | E01 | O | Phase compare output (Non connection) | — |
| 78 | E02 | O | Phase compare output | — |
| 79 | TEST2 | O | Connected to GND | — |
| 80 | XOUT | I | X'tal oscillator connected (4.5MHz) | — |

Disassembly Procedures

(1) Top cover removal

1. Remove 7 screws (A) on the rear side and 2 screws (B) on both sides of the cover.
2. Remove the cover.

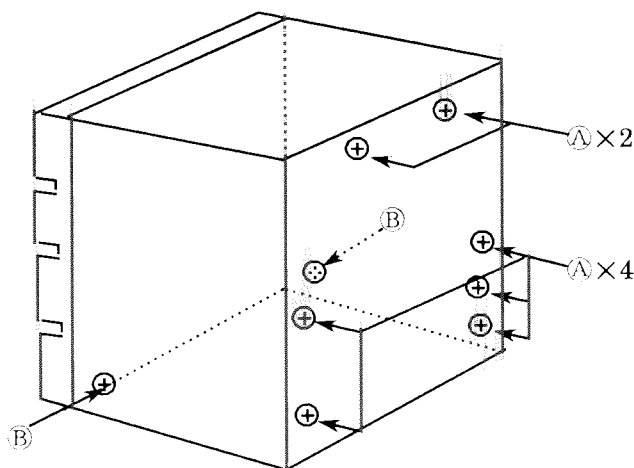


Fig1

(2) Rear panel and Power trans removal

1. Remove the top cover.
2. Remove the 5 screws (C).
3. Remove the 4 screws (D).
4. Disconnect the CN508 and Cut the tie band holding the wire.
5. Remove the rear panel with the Power trans.

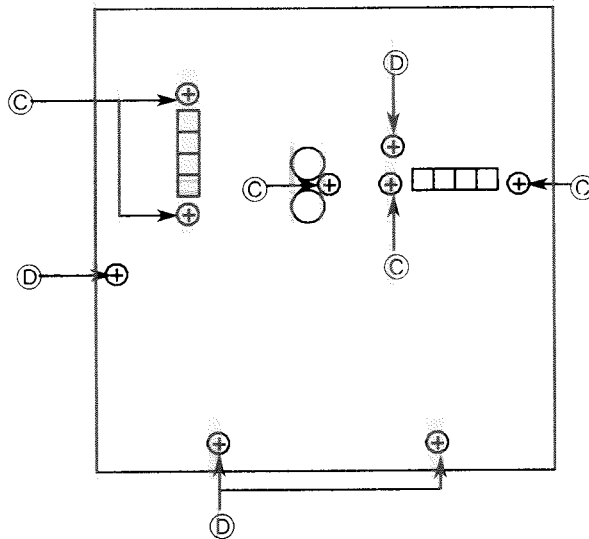


Fig2 Rear view

(3) Main PCB removal

1. Remove the (1)and(2).
2. Disconnect the TP1,TP2,CN302,CN303,CN304,CN305,CN307,CN501,CN502,CN504,CN102.
3. Cut the tie band.
4. Remove the screw (D) and 2 screws (A).
5. Remove the Main PCB.

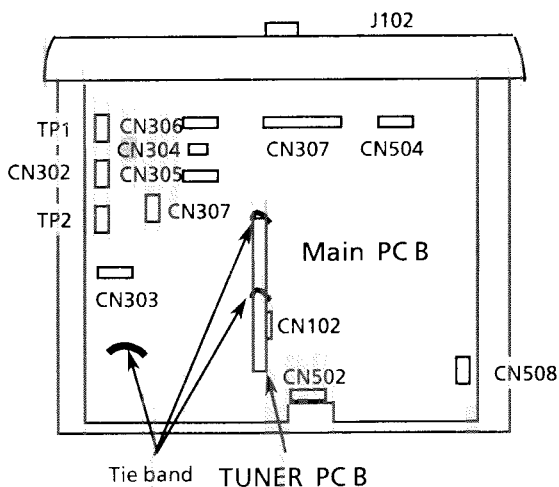


Fig3 Top view

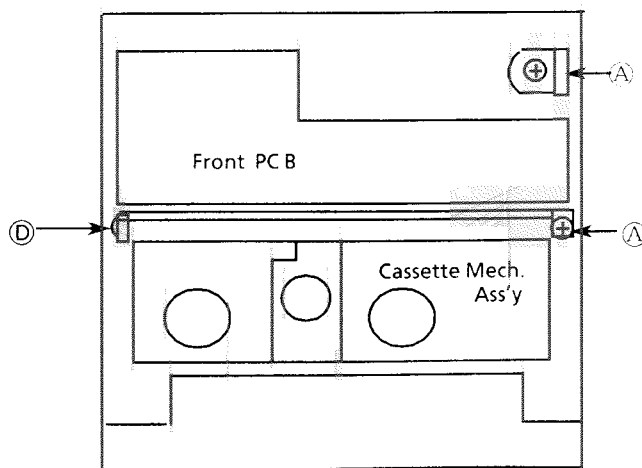


Fig4 Front panel Rear view

(4) Tuner PCB removal

1. Remove the main PCB.
2. Remove the screw ① holding the Tuner PCB.
3. Remove the Tuner PCB.

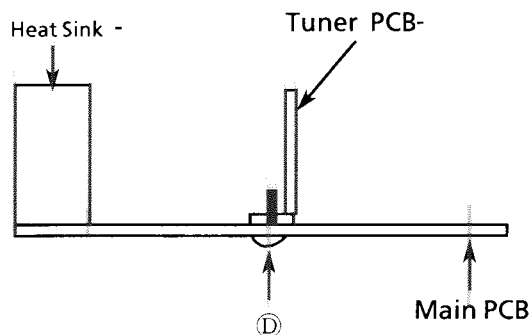


Fig 4 Main PCB view

(5) Power IC removal

1. Remove the Main PCB.
2. Remove the 3 screws ② holding the bracket.
3. Unsolder the Power IC pins.
4. Remove the Power IC.

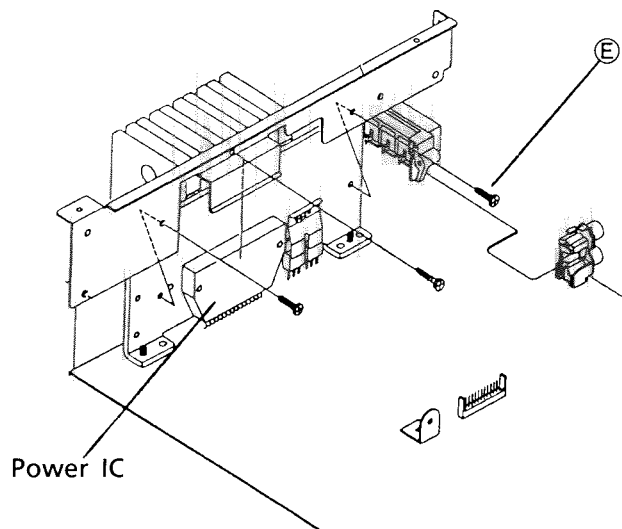


Fig 5 Main PCB view

(6) Main Volume removal.

1. Remove the top cover.
2. Disconnect the CN504.
3. Pull the Volume knob and Remove the 2 screws ③ holding the Main Volume ass'y.

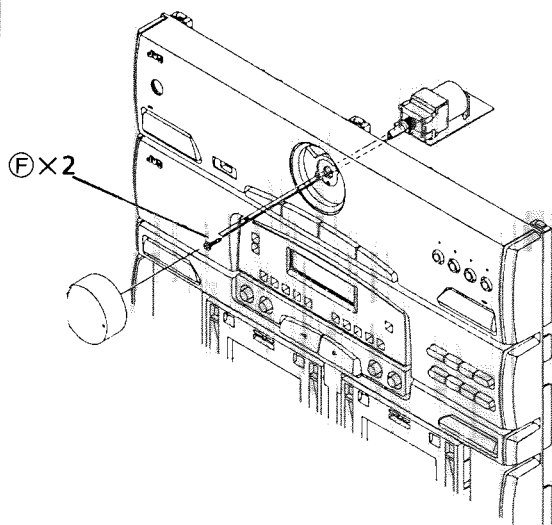


Fig 6 Front panel view

(7) Front PCB removal

1. Remove the top cover.
2. Disconnect the CN501, CN502.
3. Remove the 11 screws ④.
4. Remove the Front PCB.

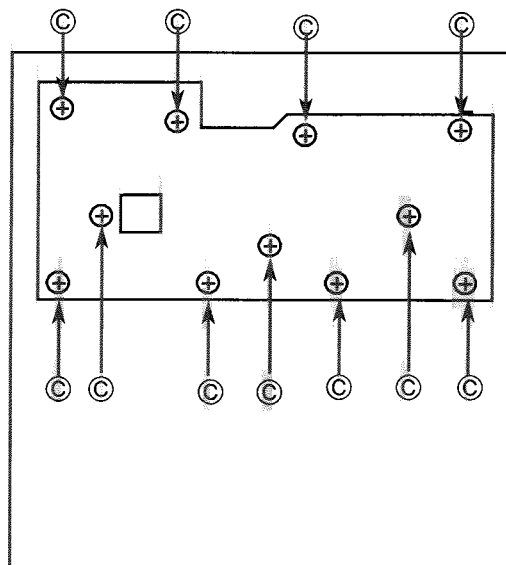


Fig 7 Front panel rear view

(8) Cassette holder removal

1. Open the cassette door.
2. Remove the Cassette holder slide for both side ward.

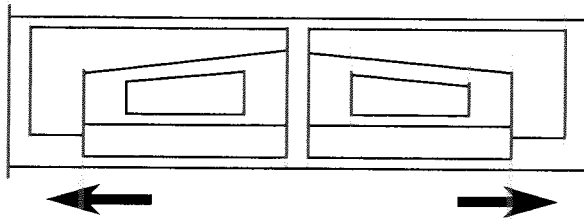


Fig 8 Front panel view

(9) Cassette mech. ass'y removal

1. Remove the (1)(2)(3) and (8).
2. Remove the 6 screws (G).
3. Remove the Cassette mech. ass'y.

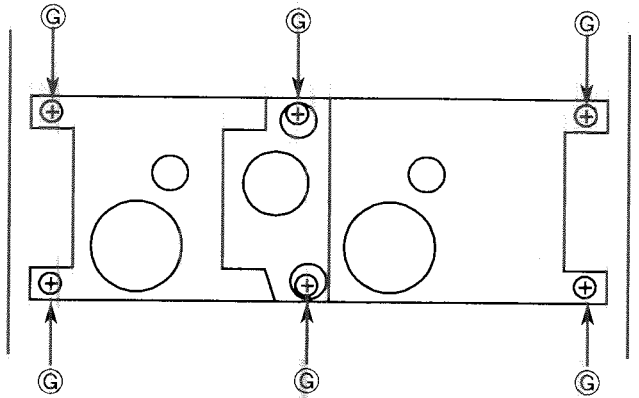


Fig 9 Front panel rear side view

(10) CD changer mech. removal

1. Remove the top cover.
2. Disconnect the CN502.
3. Remove the 2 screws (H).
4. Pull the changer mech. assembly front side.

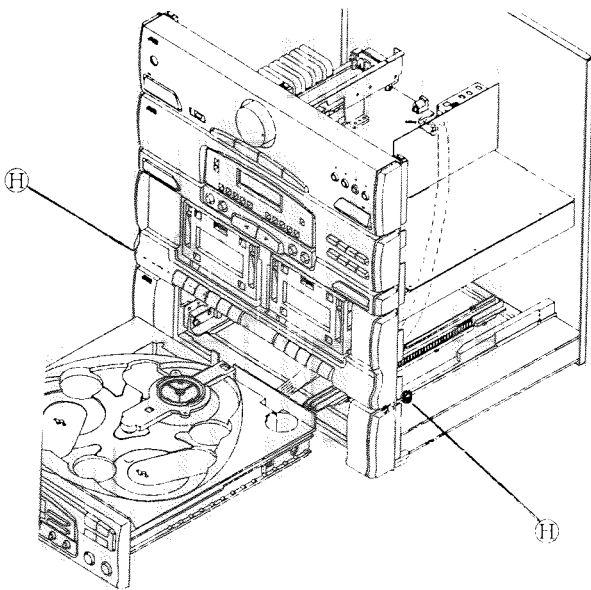


Fig 10

(11) FRONT panel ass'y removal

1. Remove the (1)(2)(3)(10).
2. Remove the 3 screws (D).
3. Remove the front panel ass'y with the cassette mech. assembly.

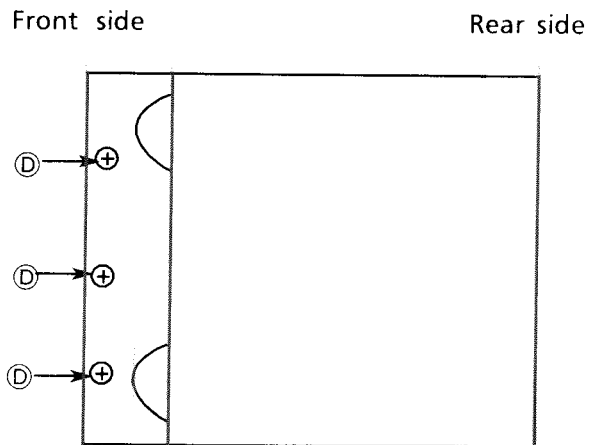


Fig 11 Bottom view

(12) Disc tray removal

1. Remove the CD changer mechanism.
2. Remove the 2 screws (C) and 3 screws (G) and remove the CD PCB cover .
3. Press the guide plate .(See the arrow shown in the figure below)
4. Remove the Disc tray Pull up ward .

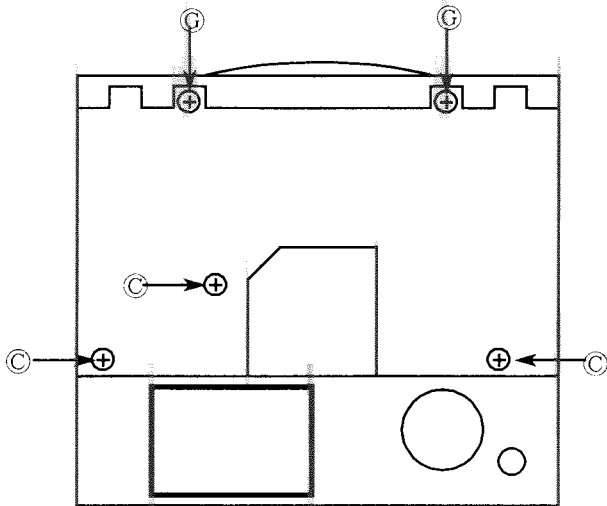


Fig 12 CD changer mech. bottom view

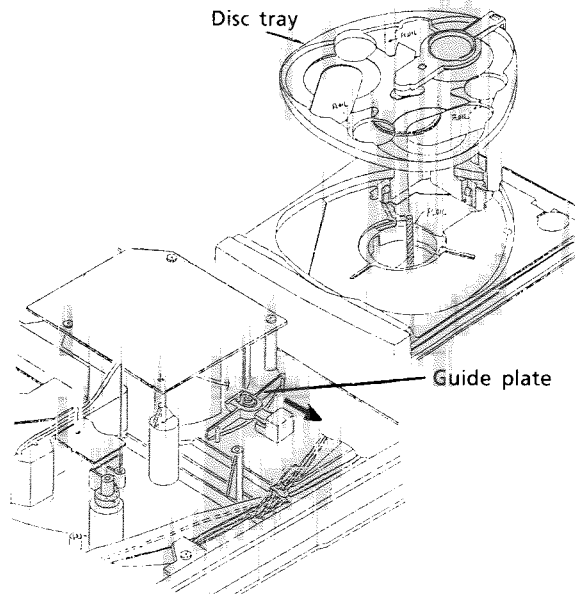


Fig 13 CD changer mech. view

(13) CD changer mechanism's Front panel removal.

1. Remove the (10)(12) .
2. Remove the 2 screws (I) and screw (K), 2 screws (J) .
3. Remove the CD mech. Front panel ass'y .

(14) CD servo PCB removal.

1. Remove the (10)(12)(13) .
2. Remove the 5 screws (G) .
3. Remove the CD servo PCB .

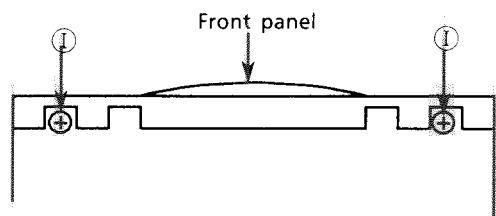


Fig 14 CD changer mech. bottom view

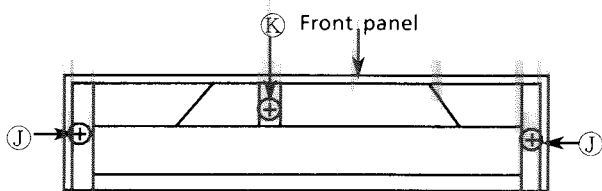


Fig 15 CD changer mech. rear view

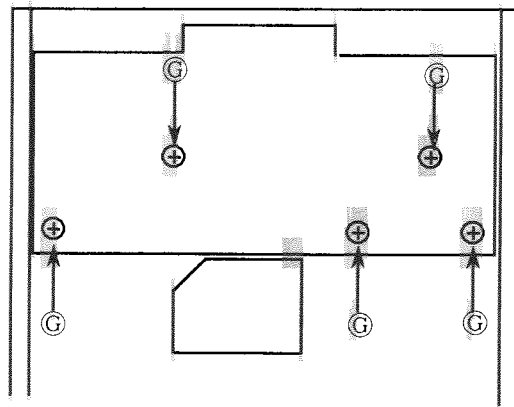


Fig 16 CD changer mech. bottom view

(15) CD traverse mech. ass'y removal

1. Remove the CD Tray ass'y .
2. Press the 4 Cushion holders in the traverse mech. base hole . (See the arrow shown inthe figure below)
3. Remove 4 hooks fixing the CD traverse mech. assembly to remove it .
4. Disconnect the 3 connectors from CD traverse mech. assembly .

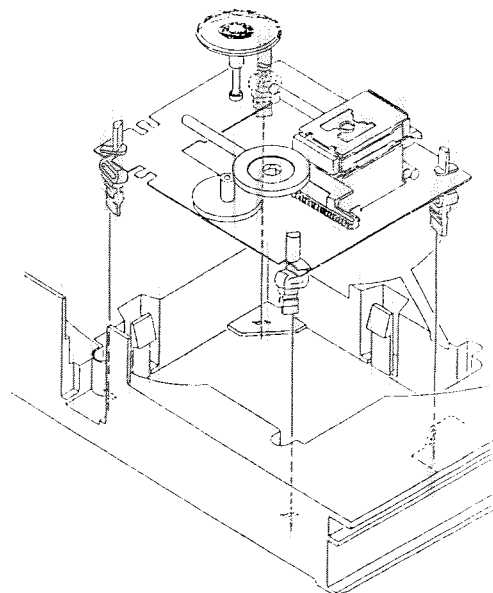
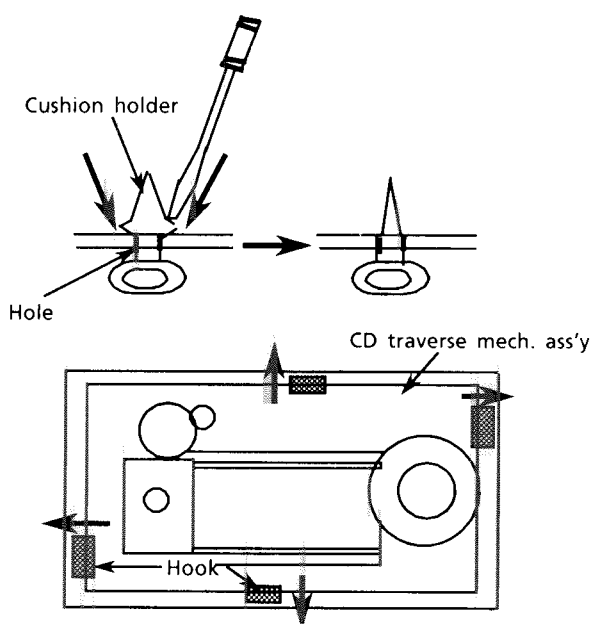


Fig17 CD traverse mech. view

(16) Pick up removal

1. Remove the CD Tray ass'y .
2. Remove the 4 screws (R) holding the pick up shaft .
3. Remove the pick up ass'y and diconnect the 2 connectors .

(17) Munting plate assembly removal

1. Remove the CD changer mechanism assembly and remove the CD PCB cover .
2. Remove the cassette controller PCB.
3. Remove the 6 screws (C) .
4. Remove the Munting plate assembly

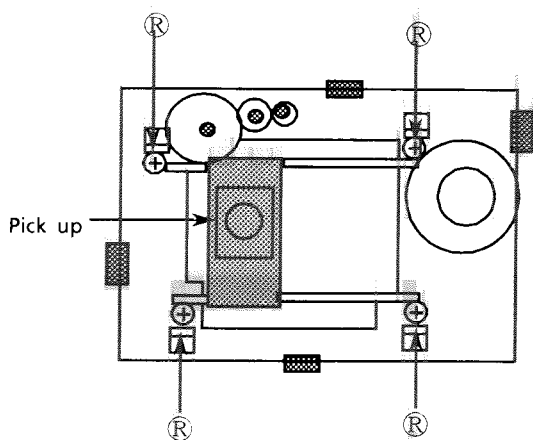


Fig18 CD traverse mech. view

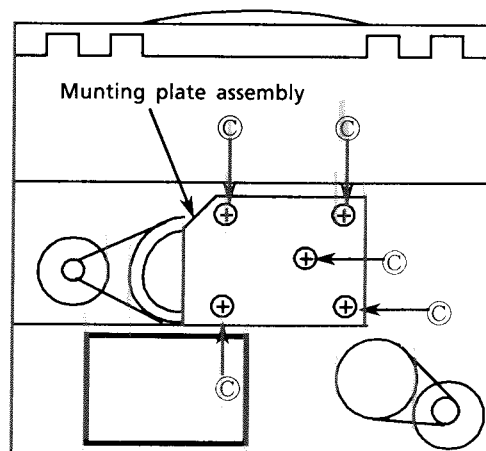


Fig 19 CD changer mech. bottom view

(18) Cam gear and DISC clamp ass'y Removal

1. Remove the CD tray ass'y .
2. Remove the E ring .

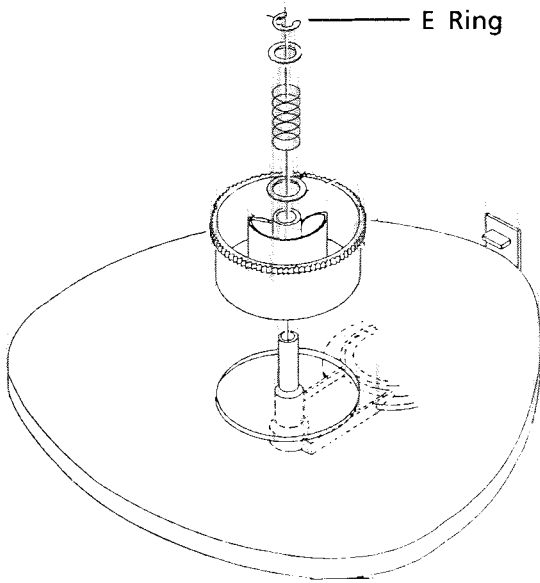


Fig 20 CD tray view

(19) Cassette mechanism motor removal

1. Remove the cassette mechanism assembly.
2. Remove the 3 screws (L) .
3. Remove the 3 screws (M) .
4. Remove the motor .

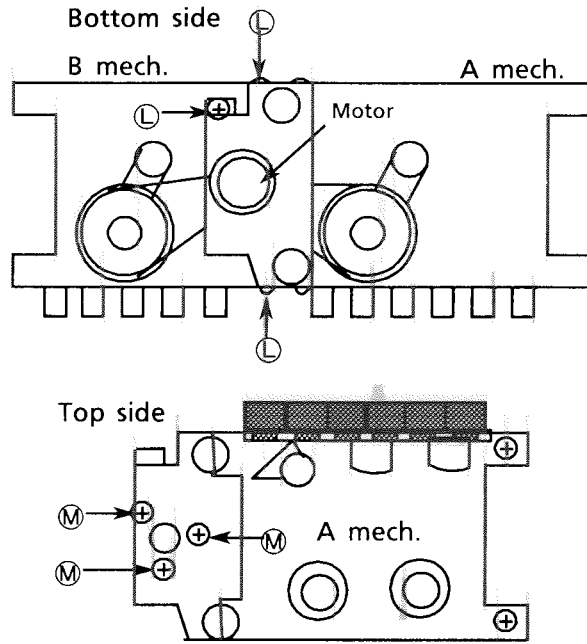


Fig 21 Cassette mech. view

(20) Head assembly removal

1. Remove the cassette mechanism assembly.
2. Remove the 2 screws (N) and remove the knob assembly.
3. Remove the screws (O), (P) and 2 screws (Q) .
4. Remove the Head assembly .

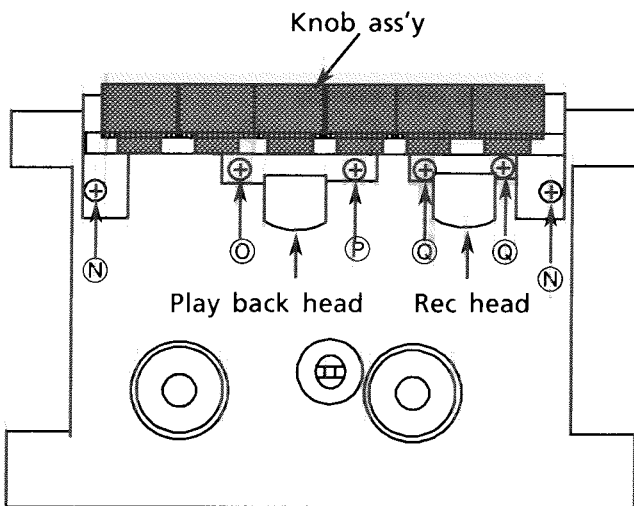


Fig 22 Cassette mech. top view

(21) Flywheel removal.

1. Remove the cassette mechanism assembly.
2. Remove the nylon ring .
3. Remove the Flywheel .

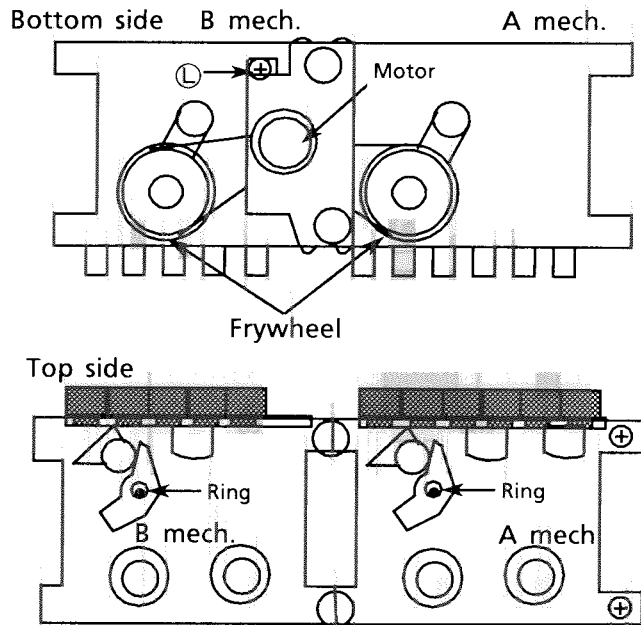


Fig 23 Cassette mech. view

Adjustment Procedures

■ Tuner section

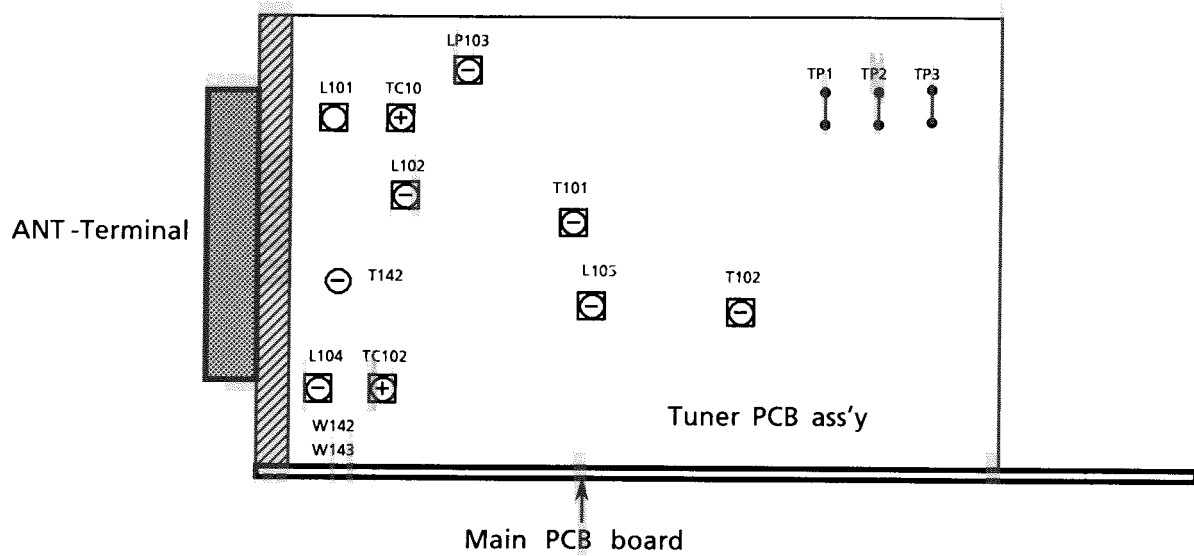


Figure 1

- (1) Tuning voltage
 Confirm the voltages in the table below at TP-3 and TP2(GND).
 If the voltages are not satisfied, replace L105.

| | | |
|----------------|----------------|---------|
| Frequency | 530KHz | 1720KHz |
| Tuning Voltage | 1.1 ± 0.05 | 8~9V |

- (2) IF Check
 Adjust the T102 so that signal output's maximum and distortion's minimum.

■ Deck section

■ Deck adjustment point

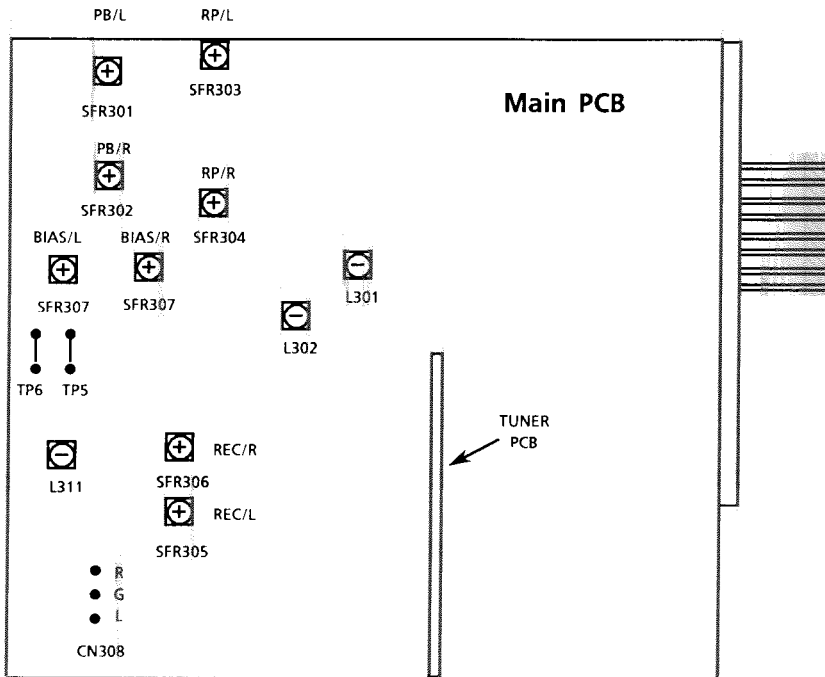
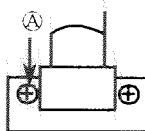


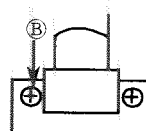
Figure 2

1. Adjustment and repairing the mechanism

| Item | Adjustment method | Standard value | Remarks |
|---------------------|--|----------------|---|
| Head azimuth | <p>Deck A</p> <ol style="list-style-type: none"> 1. Connect an electronic voltmeter to the CN308 to playback VTT-703L. 2. Adjust screw (A) so that the indication of the voltmeter becomes maximum when PLAY (▶) is pressed. <p>Deck B</p> <ol style="list-style-type: none"> 3. Adjust screw (B) so that the indication of the voltmeter becomes maximum when PLAY (▶) is pressed. 4. After making the adjustment, apply screw lock to prevent screws (A) and (B) coming loose. | Maximum | <ol style="list-style-type: none"> 1. Refer to figure 5. 2. When the specified characteristic cannot be obtained because of head wear, excessive magnetization, etc., replace the head assembly and adjust the head azimuth. Also, perform the electric adjustment. 3. When there is the difference of more than 3 ~ 4 dB between left and right output levels, replace the head assembly to avoid complaints. |
| Playback torque | <ol style="list-style-type: none"> 1. Measure the torque in the playback mode by the torqu meter. | 26 ~ 62 g-cm | When the standard torque cannot be obtained, replace the FR arm assembly or motor. |
| Fast forward torque | <ol style="list-style-type: none"> 1. Measure the torque in the fast forward mode by the torqu meter. | 80 ~ 170 g-cm | When the standard torque cannot be obtained, replace the FR arm assembly or motor. |
| Wow & flutter | <ol style="list-style-type: none"> 1. Connect the wow & flutter meter to the DOLBY TP (figure 1) and play back VTT-712. 2. Its reading should be within 0.2% (WRMS). | Less than 0.2% | As a complaint may occur if the wow & flutter fluctuates by 0.1% even though it is allowed in the standard, repairing is required. |



Deck A



Deck B

Figure 3

2. Electrical Adjustments (Make the following adjustments after adjusting the head azimuth.)

0dBs=0.775V

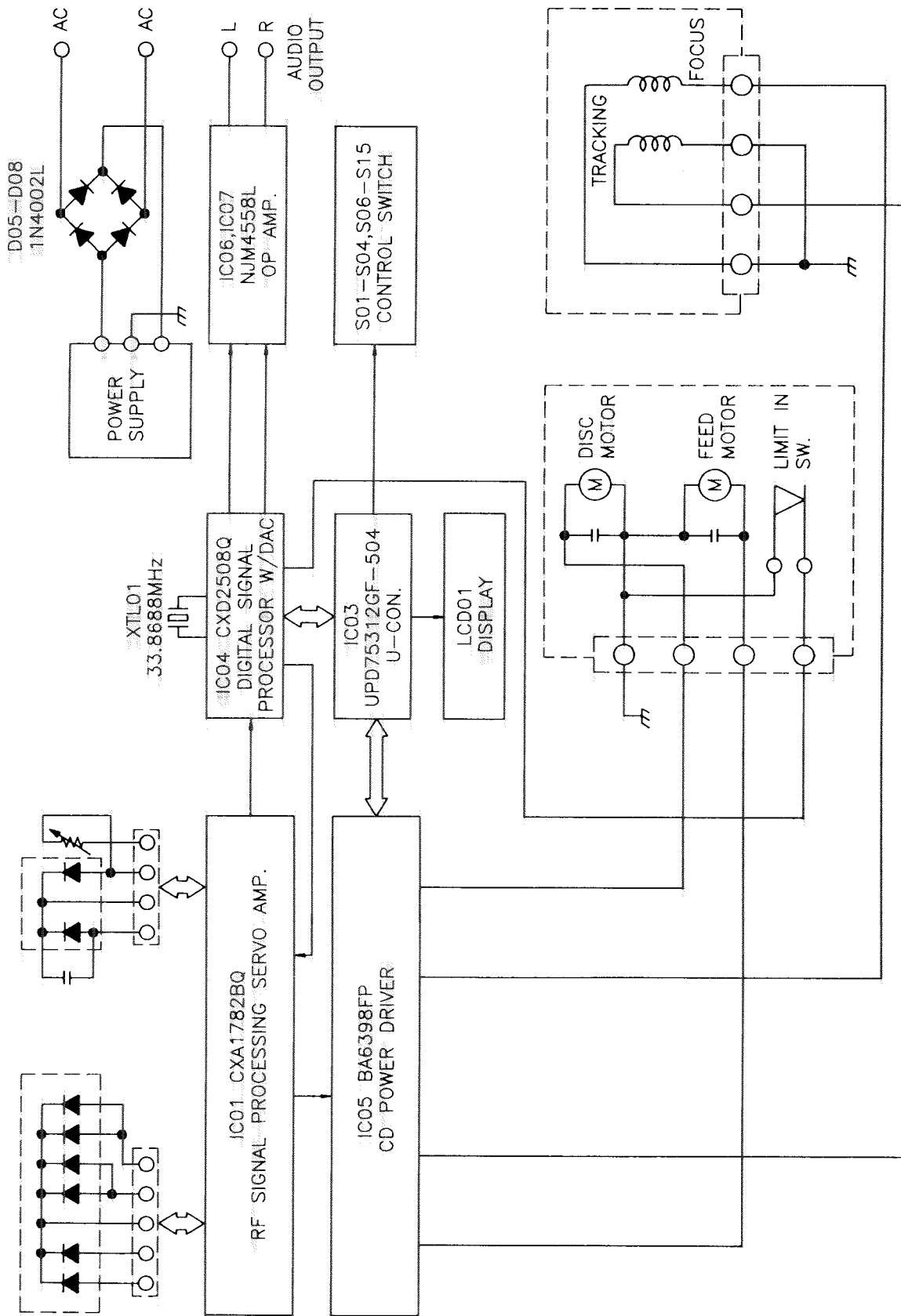
| Item | Adjustment Method | Adjustment Location | Standard Value | Remarks |
|--------|---|--|-----------------------------|---|
| * 1 | Standard level (Playback Level) 1. Connect an electronic voltmeter to the CN308. Play back VTT-724 (1 kHz : -4dBs) to adjust the semi-fixed resistors. | Deck A L: SFR303 R: SFR304 Deck B L: SFR301 R: SFR302 | 548mV $\pm 1\text{dB}$ | 1) The playback level varies when the head is replaced so should be adjusted. Use an electronic voltmeter with an impedance of 100 k Ω or more. |
| * 2 | Recording Bias Frequency 1. Connect a frequency counter to the TP5 and TP6(GND), and perform a recording to adjust bias frequency. | L311 | 85 kHz $\pm 1\text{kHz}$ | 1)Recording tape Normal TS-8 |
| * 3 | Record / Play Bias Trap 1.. Connect an electronic voltmeter to the CN308 to confirm the recorded values. 2. ifinsert the blank tape Deck A and Deck B for recording (Duubbing) 3. Play the A Deeck and adjust L301 and L302 so that minimums output level. | L : L301 R : L302 | — | — |
| * 4 | Bias Adjust 1. Connect an electronic voltmeter to the TP1 or TP2, and perform a recording to adjust bias . | TP2 SFR404 TP1 SFR403 | 5mV | 1)Recording tape Normal TS-8 |
| * 5 | Record / Playback Sensitivity 1. Input a 1 kHz (-8.2dBs: 200mV) signal to AUX terminals and record it on the left and right channels . 2. Connect an electronic voltmeter to the CN308 to confirm the recorded values. 3. If the values are not satisfied , adjust the semi-fixed resistors and record the signal again to confirm the recorded values. | L : SFR305 R : SFR306 | 200mV $\pm 1\text{dB}$ | Adjust with normal tape and make sure that the left / right level difference is 1.0dB or less |
| * 6 | Erase ratio check 1. Record a music source using the Metal tape. 2. Rewind and erase the recorded section. 3. Comfirm nothing can be heard. | — | — | — |

■ CD adjustment point

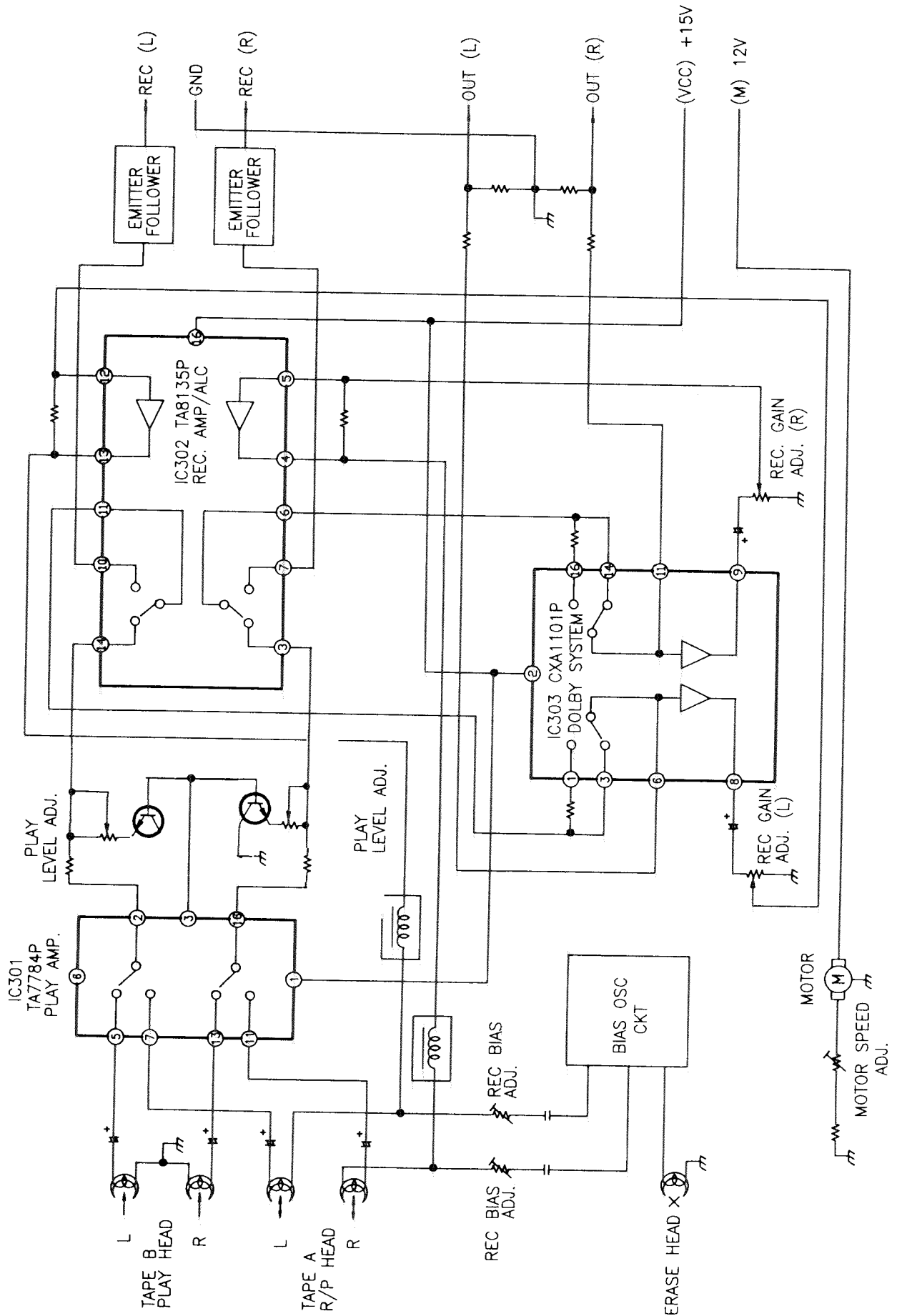
FE BIAS adjustment

- 1) Remove the CD mechanism and remove the CD PCB cover of the bottom side.
(Connected state the CN502)
- 2) Remove the Disc tray and REMove the adjust volume cover .
- 3) Connected a DC voltmater to the CN15 .
- 4) Stop mode the CD and adjust VR01 so that DC voltmeter $0\text{V} \pm 20\text{mV}$

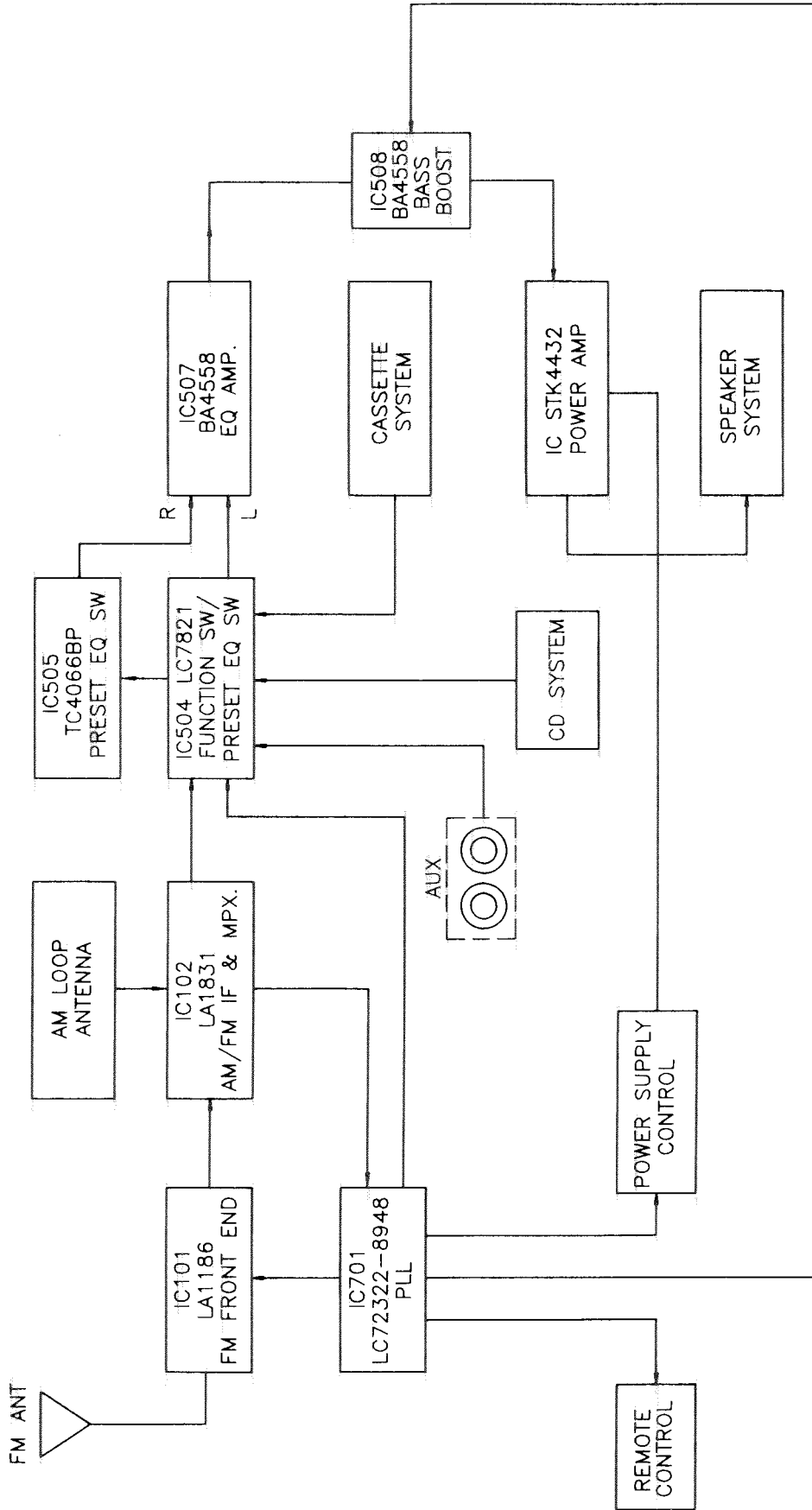
SYSTEM BLOCK DIAGRAM - CD



SYSTEM BLOCK DIAGRAM - CASSETTE



SYSTEM BLOCK DIAGRAM-TUNER&/RFIRE



IC AND TRANSISTOR VOLTAGE CHART

(MAIN)

1. IC

| IC NO. | PIN NO. | | | | | | | | | | | | | | | | | | | |
|--------|---------|------|------|------|------|----|------|------|------|------|------|-------|------|------|----|----|----|------|------|------|
| | 1 | 2 | 3 | 4 | 5 | 6 | 7 | 8 | 9 | 10 | 11 | 12 | 13 | 14 | 15 | 16 | 17 | 18 | 19 | 20 |
| IC501 | 15 | 14.7 | 0 | 0 | 29.5 | 14 | 58.6 | 0 | 57.5 | 14.4 | 29.4 | 0 | 0 | 14.7 | 15 | | | | | |
| IC502 | 12 | 0 | 17.4 | | | | | | | | | | | | | | | | | |
| IC503 | 11.8 | 0 | 17.4 | | | | | | | | | | | | | | | | | |
| IC504 | 0 | 0 | 0.6 | 0 | 0.6 | 0 | 0 | 0 | 0 | 0.4 | 0 | -11.2 | 0 | 0 | 0 | 0 | 0 | 11.8 | 11.8 | 10.9 |
| IC505 | 0 | 0 | 0 | 0 | 0 | 0 | 0 | 0 | 0.6 | 0 | 0 | 0 | 10.2 | 12.5 | | | | | | |
| IC506 | 10.4 | 0 | 6.0 | | | | | | | | | | | | | | | | | |
| IC507 | 0 | 0 | 0 | -9.5 | 0 | 0 | 0 | 10.1 | | | | | | | | | | | | |
| IC508 | 0 | 0 | 0 | -9.5 | 0 | 0 | 0 | 10.1 | | | | | | | | | | | | |

| IC NO. | PIN NO. | | | | | | | | | |
|--------|---------|----|------|----|------|-----|----|-----|----|----|
| | 21 | 22 | 23 | 24 | 25 | 26 | 27 | 28 | 29 | 30 |
| IC504 | 0 | 0 | 10.9 | 0 | 10.2 | 0.6 | 0 | 0.6 | 0 | 0 |

2. TRANSISTORS

| TR NO. | Q501 | Q502 | Q503 | Q504 | Q505 | Q506 | Q507 | Q508 | Q509 | Q510 | Q511 |
|--------|-------|------|------|------|------|------|------|------|------|------|------|
| E | 16.6 | 10.4 | 0 | 0 | 13 | 0 | 0 | 0 | 0 | -6.2 | -5.9 |
| C | -12.3 | 10.4 | 0 | 0 | 17.4 | 0 | 0 | 0 | 0 | 6.9 | 6.5 |
| B | -12.3 | 11.1 | 0.7 | 0.7 | 13.6 | 0 | 0 | 0 | 0 | -5.5 | -5.1 |

(CASSETTE) - RECORD

1. IC

| IC NO. | PIN NO. | | | | | | | | | | | | | | | | TR NO. | Q342 | Q343 | Q344 |
|--------|---------|-----|-----|-----|-----|-----|-----|-----|-----|-----|-----|-----|-----|-----|-----|-----|--------|------|------|------|
| | 1 | 2 | 3 | 4 | 5 | 6 | 7 | 8 | 9 | 10 | 11 | 12 | 13 | 14 | 15 | 16 | | | | |
| IC301 | 7.8 | 2.3 | 2.3 | 2.2 | 2.1 | 2.2 | 2.1 | 0 | 2.2 | 0.6 | 2.1 | 2.2 | 2.1 | 2.2 | 7.7 | 2.3 | E | 5.3 | 0 | 0 |
| IC302 | 0 | 2.8 | 2.7 | 2.8 | 2.9 | 2.7 | 2.7 | 0 | 0 | 2.7 | 2.7 | 2.8 | 2.8 | 2.7 | 3.8 | 8.8 | C | 11.9 | 5.9 | 0 |
| IC303 | 4.9 | 9.7 | 4.9 | 4.9 | 2.6 | 5.0 | 0.4 | 5.0 | 5.0 | 0.4 | 5.0 | 0 | 1.2 | 4.9 | 0 | 4.8 | B | 5.9 | 0 | 2.3 |

2. TRANSISTORS

| TR NO. | Q301 | Q302 | Q303 | Q304 | Q305 | Q306 | Q307 | Q308 | Q309 | Q310 | Q311 | Q312 | Q313 | Q314 | Q315 | Q316 | Q317 | Q318 | Q319 | Q320 |
|--------|------|------|------|------|------|------|------|------|------|------|------|------|------|------|------|------|------|------|-------|-------|
| E | 8.8 | 0 | 0 | 0 | 0 | 0 | 0 | 5.4 | 0 | 0 | 0 | 0 | 11.9 | 0 | 3.5 | 3.3 | 0 | 0 | -19 | -19 |
| C | 11.8 | 7.8 | 0 | 0 | 0 | 0 | 0.3 | 11.9 | 6.0 | 0 | 0 | 0 | -23 | 11.9 | 6.7 | 7.0 | 0 | 0 | 0 | 0 |
| B | 9.5 | 0.1 | 2.3 | 2.3 | 0 | 0 | 0 | 6 | 0 | 11.3 | -2.3 | -2.6 | 11.9 | 0 | 4.0 | 3.8 | 0.6 | 0.6 | -14.5 | -14.5 |

| TR NO. | Q321 | Q322 | Q323 | Q324 | Q325 | Q326 | Q327 | Q329 | Q330 | Q331 | Q332 | Q333 | Q334 | Q335 | Q336 | Q337 | Q338 | Q339 | Q340 | Q341 |
|--------|-------|-------|------|------|------|------|------|------|------|------|------|------|------|------|------|------|------|------|------|------|
| E | -13 | -13 | 0 | 0 | 0.1 | 0.1 | 7.2 | 11.9 | 0 | 0.8 | 1.0 | 0 | 0 | 0 | 0 | 5.3 | 0 | 0 | 0 | 0 |
| C | 0 | 0 | -26 | 6.4 | 7.0 | 7.0 | 7.0 | 11.2 | 11.9 | 3.6 | 4.0 | 0 | 0 | 0 | 0 | 11.9 | 5.9 | 0 | 0 | 6.4 |
| B | -15.6 | -15.6 | 0 | 0 | 0.4 | 0.4 | 6.4 | 11.9 | 0 | 1.4 | 1.6 | 5.3 | 5.3 | 0 | 0 | 5.9 | 0 | 0.6 | 0.6 | 0.1 |

IC AND TRANSISTOR VOLTAGE CHART

(TUNER)

1. IC

| IC NO. | PIN NO. | | | | | | | | | | | | | | | | | | | |
|----------|---------|-----|-----|-----|---|-----|-----|-----|-----|----|-----|-----|-----|-----|-----|-----|-----|-----|-----|-----|
| | 1 | 2 | 3 | 4 | 5 | 6 | 7 | 8 | 9 | 10 | 11 | 12 | 13 | 14 | 15 | 16 | 17 | 18 | 19 | 20 |
| IC101 | 0.9 | 1.6 | 4.7 | 0 | 0 | 4.7 | 2.8 | 4.4 | 4.7 | | | | | | | | | | | |
| AM IC102 | 2.0 | 5.3 | 2.0 | 2.0 | 0 | 5.2 | 5.3 | 4.5 | 5.3 | 0 | 1.7 | 0.6 | 1 | 0.9 | 0.9 | 2.0 | 2.4 | 1.1 | 2.0 | 1.1 |
| FM IC102 | 2.0 | 5.2 | 2.1 | 2.0 | 0 | 5.2 | 5.2 | 3.0 | 5.2 | 0 | 4.1 | 4.1 | 4.1 | 0.9 | 0.9 | 2.0 | 2.3 | 2.2 | 1.5 | 0.2 |

2. TRANSISTORS

| TR NO. | Q101 | Q102 | Q102 | Q103 | Q105 | Q107 | Q108 | Q109 | Q109 | | Q106 |
|--------|------|------|------|------|------|------|------|------|------|---|------|
| E | 0 | 0 | 0 | 4.0 | 5.7 | 0.6 | 0 | 0 | 0 | S | 1.1 |
| C | 4.2 | 0 | 2.8 | 0 | 5.6 | 1.4 | 1.4 | 0.1 | 4.1 | D | 5.7 |
| B | 0.8 | 0 | 0.7 | 5.6 | 1.5 | 1.1 | 0.6 | 0.6 | 0 | G | 0 |
| | | AM | FM | | | | | AM | FM | | |

| IC NO. | PIN NO. | | | |
|----------|---------|-----|-----|-----|
| | 21 | 22 | 23 | 24 |
| AM IC102 | 2.0 | 2.0 | 5.3 | 3.9 |
| FM IC102 | 2.3 | 2.3 | 5.2 | 3.8 |

(FRONT)

1. IC

| IC NO. | PIN NO. | | | | | | | | | | | | | | | | | | | |
|--------|---------|------|------|------|-----|------|------|------|------|-----|----|----|----|----|----|----|----|----|----|-----|
| | 1 | 2 | 3 | 4 | 5 | 6 | 7 | 8 | 9 | 10 | 11 | 12 | 13 | 14 | 15 | 16 | 17 | 18 | 19 | 20 |
| IC701 | 2.9 | 0 | 5.3 | 5.3 | 4.8 | 0 | 0 | 5.8 | 2.1 | 1.1 | 0 | 0 | 0 | 0 | 0 | 0 | 0 | 0 | 0 | 5.3 |
| IC702 | 0 | 0.6 | 0.8 | 4.4 | 0 | 0 | 11.8 | 11.8 | 0.8 | 0.6 | | | | | | | | | | |
| IC703 | 10.4 | 10.4 | 10.4 | 10.4 | 0 | 10.4 | 0 | 0 | 11.9 | | | | | | | | | | | |
| IC704 | 10.4 | 10.4 | 10.4 | 10.4 | 0 | 10.4 | 0 | 0 | 11.9 | | | | | | | | | | | |

| IC NO. | PIN NO. | | | | | | | | | | | | | | | | | | | |
|--------|---------|----|-----|-----|-----|-----|-----|-----|-----|-----|-----|----|----|----|----|-----|-----|-----|-----|-----|
| | 21 | 22 | 23 | 24 | 25 | 26 | 27 | 28 | 29 | 30 | 31 | 32 | 33 | 34 | 35 | 36 | 37 | 38 | 39 | 40 |
| IC701 | 0 | 0 | 5.3 | 5.3 | 5.3 | 5.3 | 5.3 | 5.3 | 5.3 | 5.3 | 5.3 | 0 | 0 | 0 | 0 | 2.6 | 2.6 | 2.6 | 2.6 | 2.6 |

| IC NO. | PIN NO. | | | | | | | | | | | | | | | | | | | |
|--------|---------|-----|-----|-----|-----|-----|-----|-----|-----|-----|-----|-----|-----|-----|-----|-----|-----|-----|-----|-----|
| | 41 | 42 | 43 | 44 | 45 | 46 | 47 | 48 | 49 | 50 | 51 | 52 | 53 | 54 | 55 | 56 | 57 | 58 | 59 | 60 |
| IC701 | 2.6 | 2.6 | 2.6 | 2.6 | 2.6 | 2.6 | 2.6 | 2.6 | 2.6 | 2.6 | 2.6 | 2.6 | 2.6 | 2.6 | 2.6 | 2.6 | 2.6 | 2.6 | 2.6 | 2.6 |

| IC NO. | PIN NO. | | | | | | | | | | | | | | | | | | | |
|--------|---------|-----|-----|-----|-----|-----|-----|-----|-----|----|----|-----|-----|----|----|----|-----|-----|----|-----|
| | 61 | 62 | 63 | 64 | 65 | 66 | 67 | 68 | 69 | 70 | 71 | 72 | 73 | 74 | 75 | 76 | 77 | 78 | 79 | 80 |
| IC701 | 2.6 | 2.6 | 2.6 | 2.6 | 2.6 | 5.3 | 5.0 | 5.3 | 5.3 | 0 | 0 | 5.9 | 5.3 | 0 | 0 | 0 | 2.0 | 1.0 | 0 | 2.3 |

2. TRANSISTORS

| TR NO. | Q702 | Q703 | Q704 | Q705 | | | | | | | | | | | | | | | | |
|--------|------|------|------|------|--|--|--|--|--|--|--|--|--|--|--|--|--|--|--|--|
| E | 0 | 0 | 0 | 0 | | | | | | | | | | | | | | | | |
| C | 10.5 | 10.5 | 10.5 | 0 | | | | | | | | | | | | | | | | |
| B | 0 | 0 | 0 | 0.8 | | | | | | | | | | | | | | | | |

IC AND TRANSISTOR VOLTAGE CHART

(CASSETTE) –PLAYBACK

1. IC

| IC NO. | PIN NO. | | | | | | | | | | | | | | | | TR NO. | | | |
|--------|---------|-----|-----|-----|-----|-----|-----|-----|-----|-----|-----|-----|-----|-----|-----|-----|--------|------|------|------|
| | 1 | 2 | 3 | 4 | 5 | 6 | 7 | 8 | 9 | 10 | 11 | 12 | 13 | 14 | 15 | 16 | | Q342 | Q343 | Q344 |
| IC301 | 7.9 | 2.3 | 0 | 2.3 | 2.2 | 2.2 | 2.1 | 0 | 2.2 | 0 | 2.1 | 2.2 | 2.1 | 2.3 | 0.3 | 2.3 | E | 5.3 | 0 | 0 |
| IC302 | 5.7 | 2.7 | 2.7 | 2.8 | 2.7 | 2.7 | 2.7 | 0 | 0 | 2.7 | 2.7 | 2.7 | 2.8 | 2.7 | 3.9 | 8.6 | C | 12 | 5.9 | 2.4 |
| IC303 | 4.9 | 9.7 | 4.9 | 4.9 | 2.6 | 5.0 | 0.3 | 5.0 | 5.0 | 0.3 | 5.0 | 7.7 | 1.2 | 4.9 | 0 | 4.9 | B | 5.9 | 0 | 0 |

2. TRANSISTORS

| TR NO. | Q301 | Q302 | Q303 | Q304 | Q305 | Q306 | Q307 | Q308 | Q309 | Q310 | Q311 | Q312 | Q313 | Q314 | Q315 | Q316 | Q317 | Q318 | Q319 | Q320 |
|--------|------|------|------|------|------|------|------|------|------|------|------|------|------|------|------|------|------|------|------|------|
| E | 8.8 | 0 | 0 | 0 | 0 | 0 | 0 | 5.4 | 0 | 0 | 0 | 0 | 11.9 | 0 | 3.5 | 3.3 | 0 | 0 | 0 | 0 |
| C | 11.8 | 0 | 0 | 0 | 0 | 0 | 0 | 12 | 6.0 | 4.0 | 0 | 0 | 11.9 | 0 | 6.7 | 7.0 | 0 | 0 | 0 | 0 |
| B | 9.5 | 3.6 | 0 | 0 | 2.4 | 2.5 | 2.4 | 6 | 0 | 0 | 0.7 | 11.7 | 11.2 | 12 | 4.0 | 3.8 | 0 | 0 | 0.6 | 0.6 |

| TR NO. | Q321 | Q322 | Q323 | Q324 | Q325 | Q326 | Q327 | Q329 | Q330 | Q331 | Q332 | Q333 | Q334 | Q335 | Q336 | Q337 | Q338 | Q339 | Q340 | Q341 |
|--------|------|------|------|------|------|------|------|------|------|------|------|------|------|------|------|------|------|------|------|------|
| E | 0 | 0 | 11.9 | 0 | 0 | 0 | 0 | 0 | 0 | 0 | 0 | 0 | 0 | 0 | 0 | 5.3 | 0 | 0 | 0 | 0 |
| C | 0 | 0 | 11.9 | 0 | 0.1 | 0.1 | 0.1 | 0 | 0 | 0 | 0 | 0 | 0 | 0 | 0 | 12 | 6.0 | 0 | 0 | 0 |
| B | 0.6 | 0.6 | 11.2 | 0.6 | 0.1 | 0.1 | 0 | 0 | 0 | 0 | 0 | 5.3 | 5.3 | 0 | 0 | 6.0 | 0 | 0 | 0 | 0 |

(CD)

1. IC

| IC NO. | PIN NO. | | | | | | | | | | | | | | | | | | | |
|--------|---------|-----|-----|-------|-----|-----|-----|------|-----|-----|-----|-----|-----|-----|-----|-----|-----|-----|-----|-----|
| | 1 | 2 | 3 | 4 | 5 | 6 | 7 | 8 | 9 | 10 | 11 | 12 | 13 | 14 | 15 | 16 | 17 | 18 | 19 | 20 |
| IC01 | 2.6 | 2.6 | 2.6 | 2.5 | 2.5 | 2.5 | 2.5 | 3.0 | 2.5 | 2.4 | 0.8 | 2.5 | 2.5 | 2.5 | 2.5 | 2.5 | 1.2 | 5.0 | 5.0 | 5.0 |
| IC03 | 2.5 | 2.5 | 2.5 | 2.5 | 2.5 | 2.5 | 2.5 | 2.5 | 2.5 | 2.5 | 2.5 | 2.5 | 5.0 | 5.0 | 5.0 | 5.0 | 0 | 5.1 | 5.1 | 5.1 |
| IC04 | 0 | 2.5 | 5.0 | 0 | 5.1 | 5.1 | 0 | 5.1 | 0 | 5.1 | 5.1 | 0 | 0 | 0 | 0 | 5.0 | 5.0 | 5.0 | 5.0 | 0.2 |
| IC05 | 4.1 | 4.1 | 2.5 | 2.5 | 7.0 | 2.5 | 8.5 | 0 | 2.5 | 2.5 | 4.1 | 4.1 | 0 | 2.5 | 2.5 | 2.5 | 4.2 | 4.1 | 2.5 | 2.5 |
| IC06 | 0 | 1.3 | 1.3 | -10.6 | 0 | 0 | 0 | 11.5 | | | | | | | | | | | | |
| IC07 | 0 | 1.3 | 1.3 | -10.6 | 0 | 0 | 0 | 11.5 | | | | | | | | | | | | |

| IC NO. | PIN NO. | | | | | | | | | | | | | | | | | | | |
|--------|---------|-----|-----|-----|-----|-----|-----|-----|-----|-----|-----|-----|-----|-----|-----|-----|-----|-----|-----|-----|
| | 21 | 22 | 23 | 24 | 25 | 26 | 27 | 28 | 29 | 30 | 31 | 32 | 33 | 34 | 35 | 36 | 37 | 38 | 39 | 40 |
| IC01 | 0 | 5 | 0 | 0 | 0.1 | 2.2 | 4.3 | 3.1 | 1.3 | 2.5 | 0.9 | 3.5 | 0.8 | 0 | 2.2 | 2.2 | 2.4 | 2.1 | 2.1 | 3.4 |
| IC03 | 2.5 | 2.5 | 2.5 | 2.5 | 5.1 | 5.1 | 3.4 | 1.7 | 5.0 | 5.0 | 5.0 | 0.1 | 0 | 0.2 | 0.8 | 0.2 | 8.8 | 0 | 5.0 | 0.2 |
| IC04 | 0.2 | 5.0 | 0.1 | 0 | 2.5 | 0.1 | 0 | 0 | 2.6 | 2.6 | 2.5 | 5.0 | 0 | 2.6 | 5.0 | 2.5 | 0.8 | 2.5 | 2.5 | 5.0 |
| IC05 | 8.5 | 8.5 | 2.5 | 2.5 | 2.5 | 4.1 | 4.1 | 0 | | | | | | | | | | | | |

| IC NO. | PIN NO. | | | | | | | | | | | | | | | | | | | |
|--------|---------|-----|-----|-----|-----|-----|-----|-----|-----|-----|----|-----|----|-----|-----|-----|-----|-----|-----|-----|
| | 41 | 42 | 43 | 44 | 45 | 46 | 47 | 48 | 49 | 50 | 51 | 52 | 53 | 54 | 55 | 56 | 57 | 58 | 59 | 60 |
| IC01 | 0 | 2.5 | 2.5 | 2.5 | 1.9 | 2.5 | 2.5 | 2.5 | | | | | | | | | | | | |
| IC03 | 0 | 0 | 5.0 | 0 | 0.1 | 0 | 5.1 | 0 | 0 | 5.0 | 0 | 0 | 0 | 5.1 | 5.1 | 0 | 4.4 | 2.4 | 2.6 | 5.0 |
| IC04 | 2.5 | 2.5 | 2.5 | 0 | 2.5 | 2.3 | 2.4 | 4.8 | 5.0 | 2.3 | 0 | 2.5 | 0 | 5.0 | 0 | 4.3 | 3.6 | 0 | 2.6 | 2.3 |

IC AND TRANSISTOR VOLTAGE CHART

1. IC

| IC NO. | PIN NO. | | | | | | | | | | | | | | | | | | | |
|--------|---------|-----|-----|-----|-----|-----|-----|-----|-----|-----|-----|-----|-----|-----|-----|-----|-----|-----|-----|-----|
| | 61 | 62 | 63 | 64 | 65 | 66 | 67 | 68 | 69 | 70 | 71 | 72 | 73 | 74 | 75 | 76 | 77 | 78 | 79 | 80 |
| IC03 | 5.0 | 5.0 | 5.0 | 5.1 | 5.1 | 5.1 | 5.1 | 5.1 | 2.5 | 2.5 | 2.5 | 2.5 | 2.5 | 2.5 | 2.5 | 2.5 | 2.5 | 2.5 | 2.5 | 2.5 |
| IC04 | 2.4 | 0 | 0 | 2.5 | 4.7 | 4.7 | 0 | 5.0 | 2.5 | 2.5 | 5.0 | 5.0 | 2.5 | 2.5 | 0 | 0 | 2.5 | 2.5 | 0 | 0 |

2. TRANSISTORS

| TR NO. | Q01 | Q02 | Q03 | Q04 | Q05 | Q06 | Q07 | Q09 | Q10 | Q11 | Q12 | Q13 | Q14 | Q15 | Q16 | | | | | |
|--------|-----|-----|-----|-----|-------|-----|-----|-----|------|------|-----|-----|-----|-----|-----|--|--|--|--|--|
| E | 1.4 | 5.0 | 8.5 | 8.8 | -9.8 | 8.8 | 5.0 | 5.0 | 8.5 | 5.0 | 0 | 0 | 5.1 | 0 | 0 | | | | | |
| C | 1.4 | 1.4 | 8.5 | 8.8 | 8.8 | 8.8 | 5.0 | 5.0 | 11.5 | 11.5 | 5.6 | 0 | 5.1 | 0 | 0 | | | | | |
| B | 0.8 | 5.1 | 8.5 | 8.8 | -10.6 | 8.8 | 0 | 0 | 9.1 | 5.6 | 0 | 0.6 | 4.5 | 0.7 | 0.7 | | | | | |

Schematic Diagram

Key & System Control Section

5

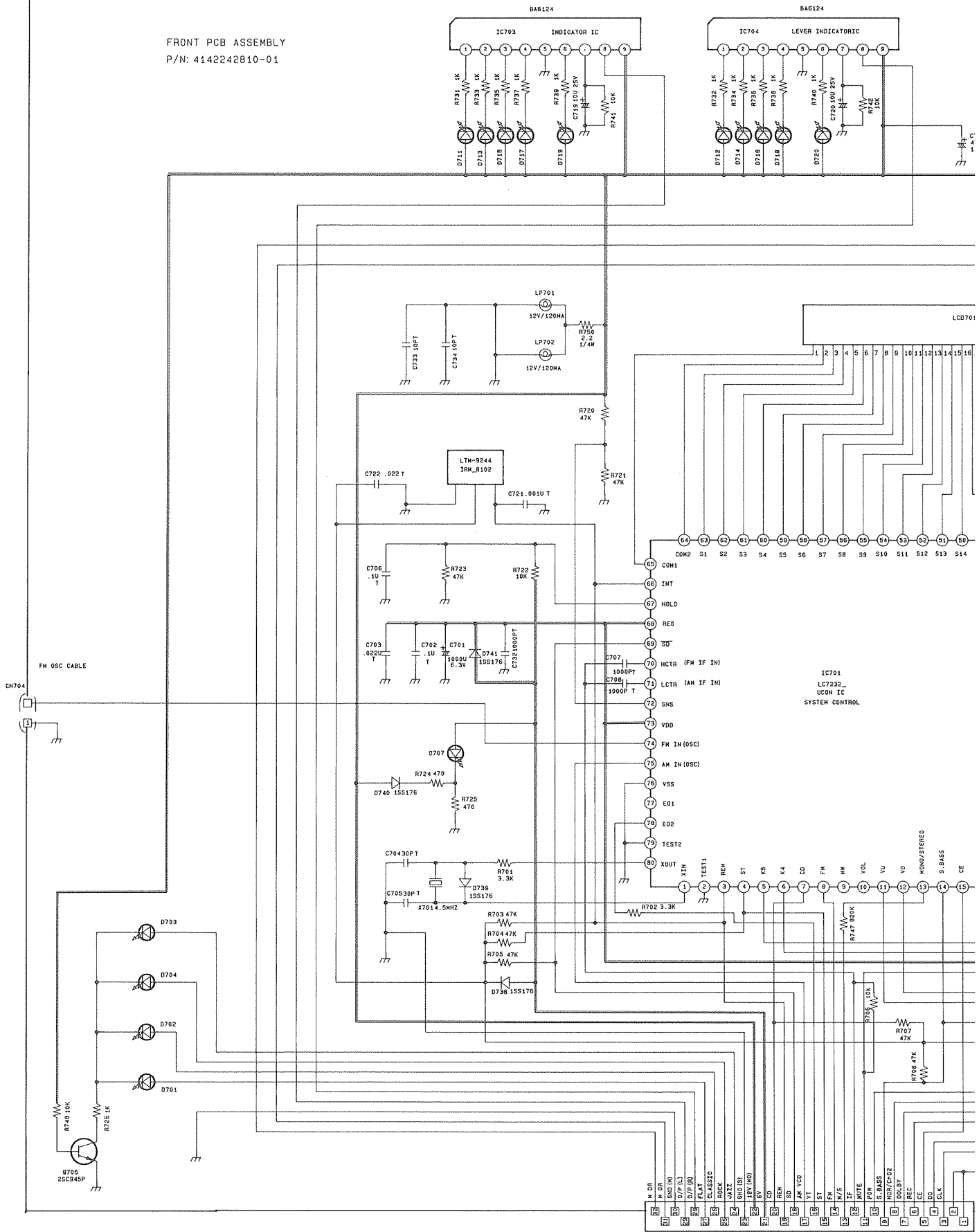
4

3

2

1

FRONT PCB ASSEMBLY
P/N: 4142242810-01

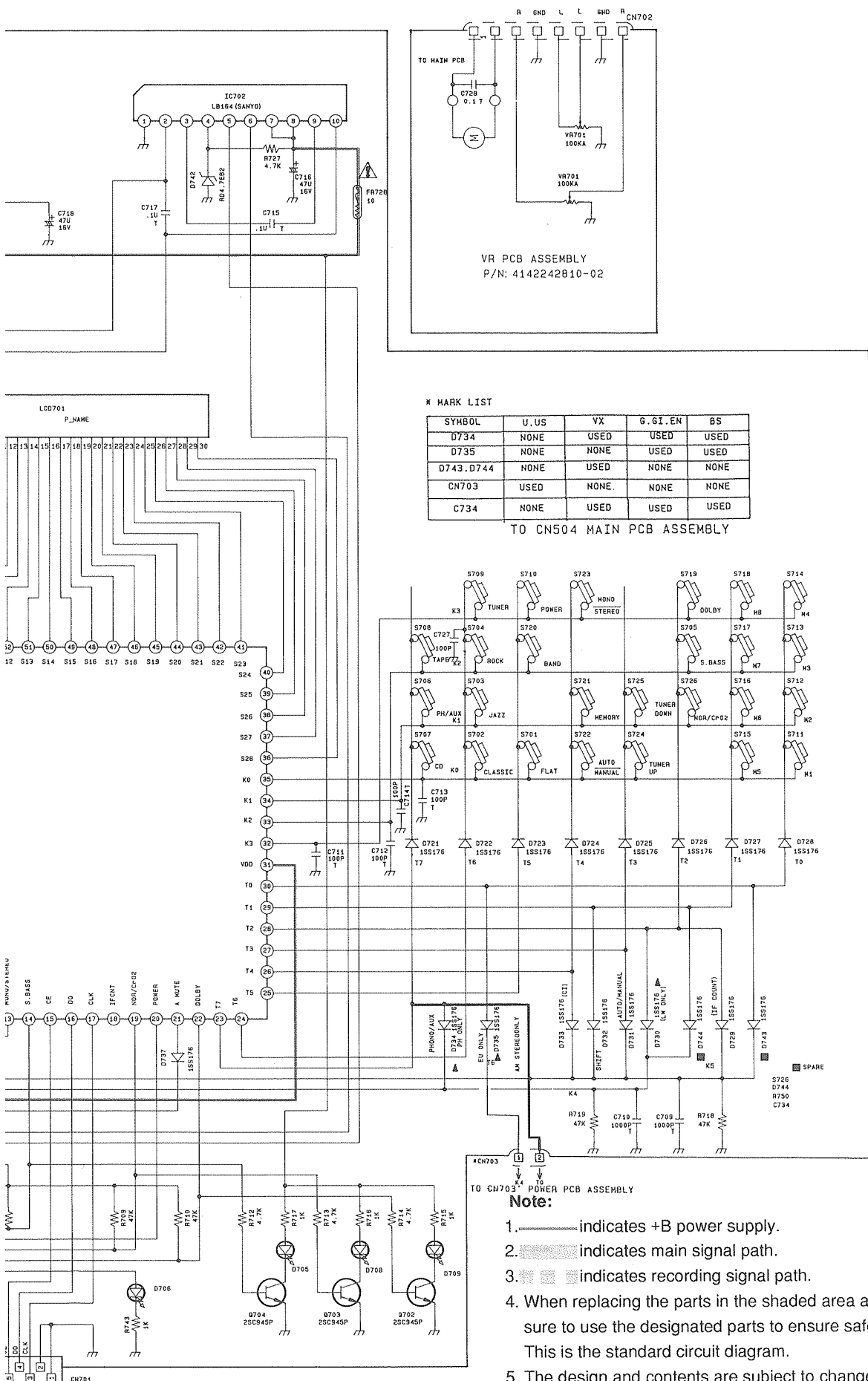


A

B

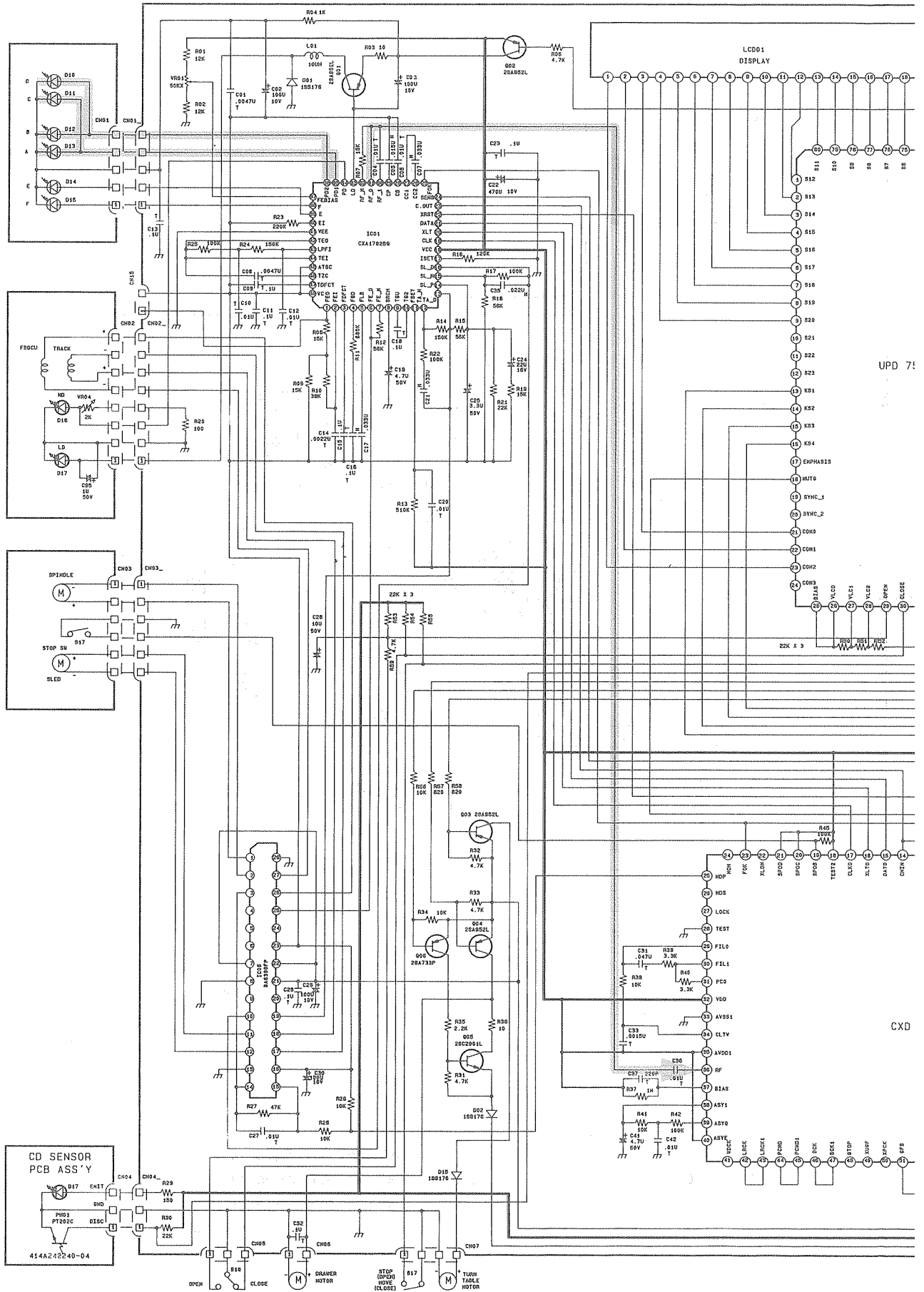
C

D



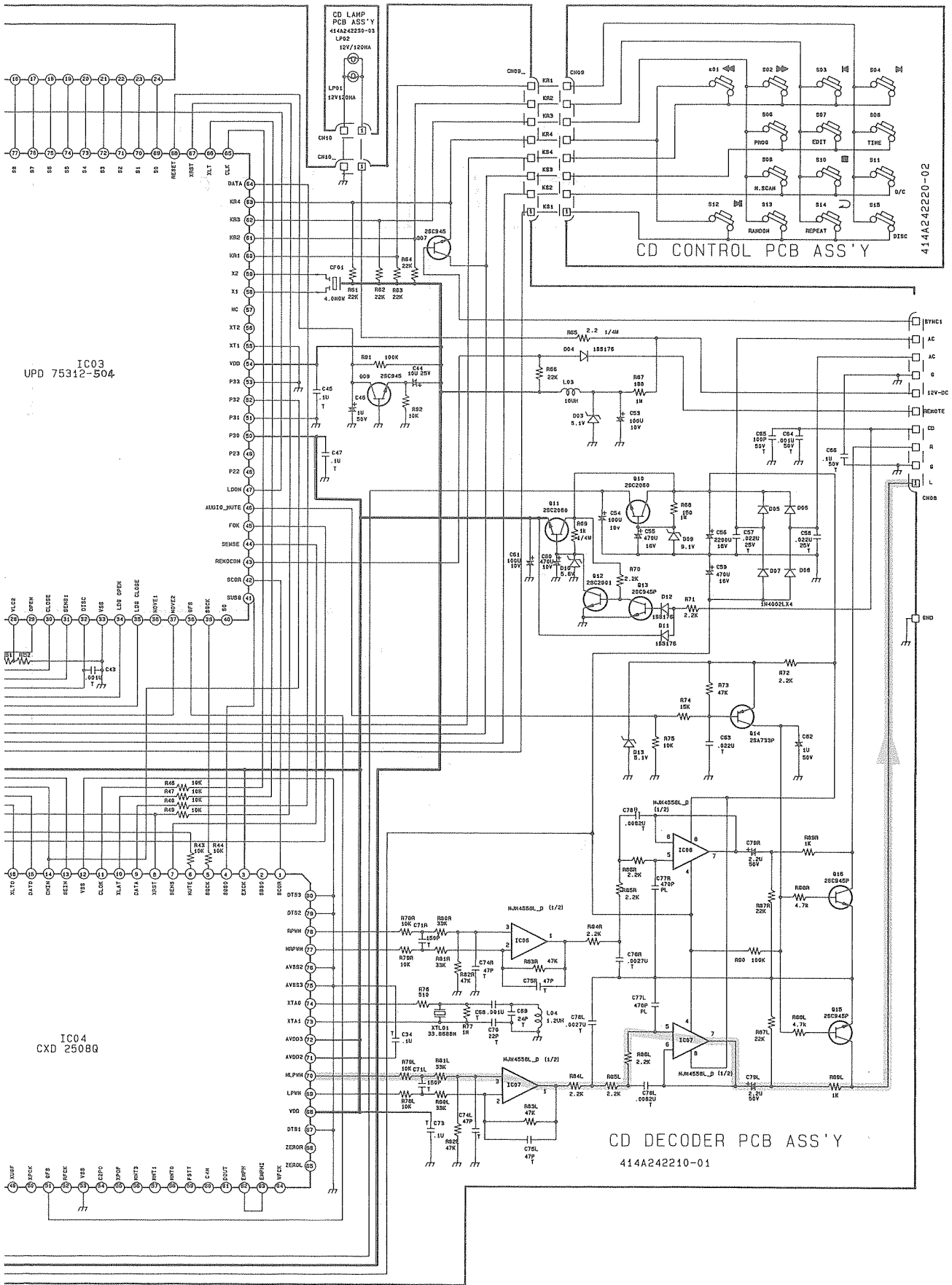
CD Servo Section

5
4
3
2
1



UPD 71

CXD



IC03
UPD 75312-504

IC04
CXD 2508Q

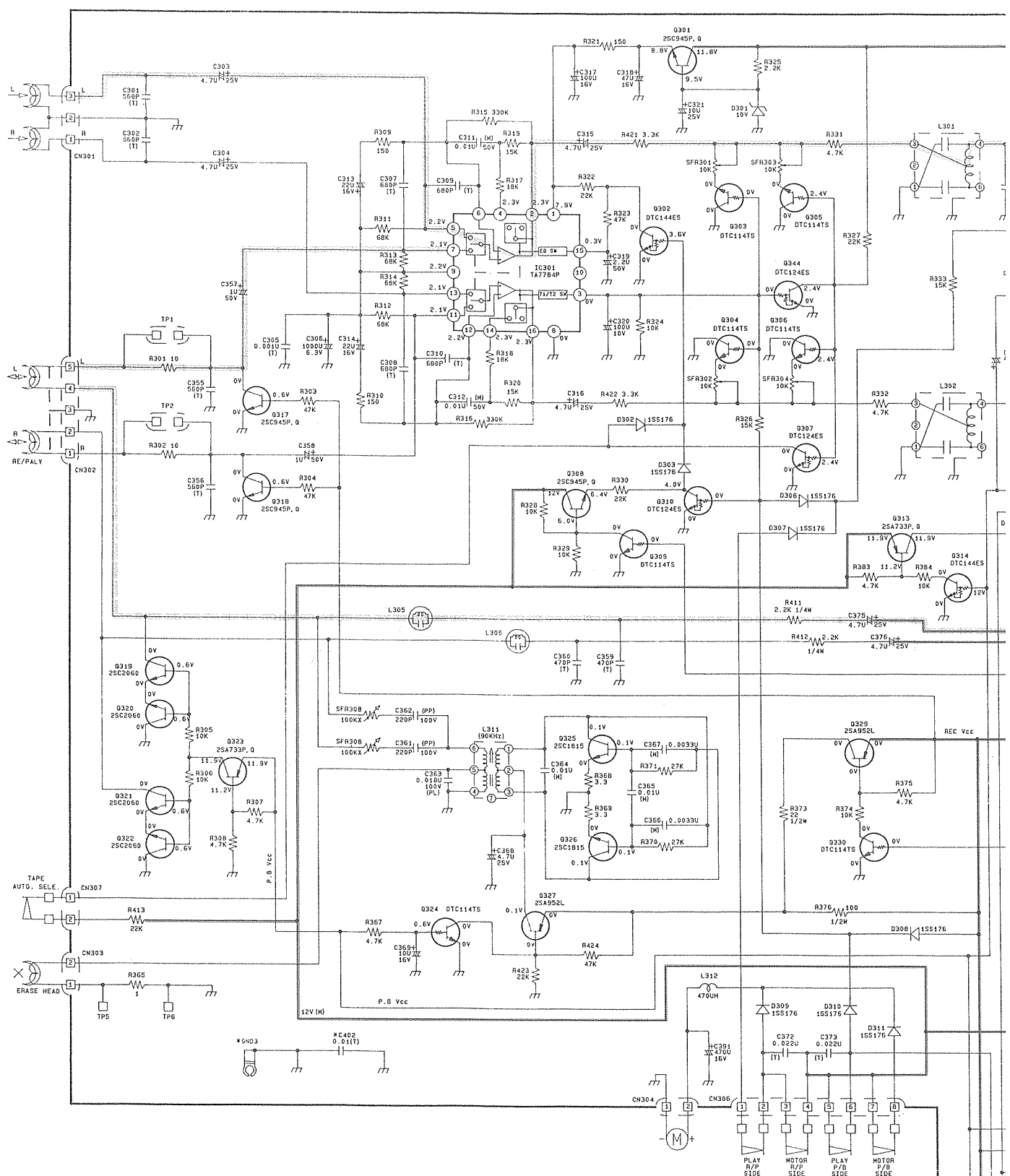
CD LAMP
PCB ASS'Y
414A242210-03
LP02
12V/120MA

CD CONTROL PCB ASS'Y
414A242220-02

CD DECODER PCB ASS'Y
414A242210-01

Cassette Amplifier Section

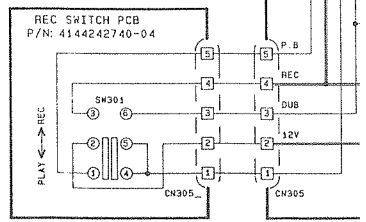
5
4
3
2
1



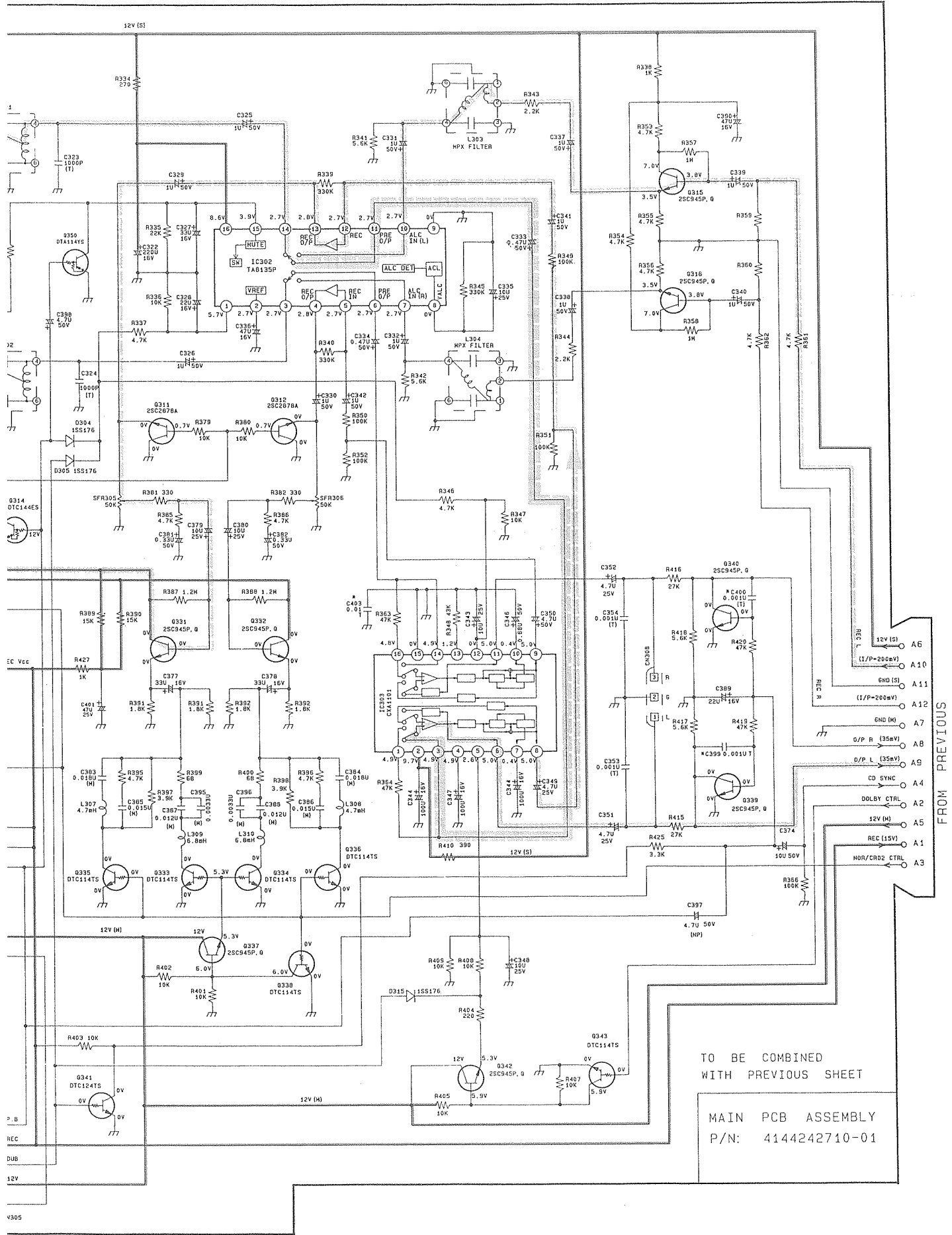
*** MARK LIST**

| SYMBOL | J.C | U.S. | VX | G.I. | EN | BS |
|--------|------|------|------|------|------|------|
| C399 | NONE | NONE | USED | USED | USED | USED |
| C400 | NONE | NONE | USED | USED | USED | USED |
| C402 | NONE | NONE | USED | USED | USED | USED |
| 5ND3 | NONE | NONE | USED | USED | USED | USED |
| C403 | NONE | NONE | USED | USED | USED | USED |

VERSION CODES
 J : U.S.A
 C : CANADA
 G : EUROPE
 BS : U.K.
 GI : ITALY
 VX : E. EUROPE
 EN : N. EUROPE
 US : SINGAPORE
 U : UNIVERSAL EXCEPT ALL OF ABOVE



A B C D

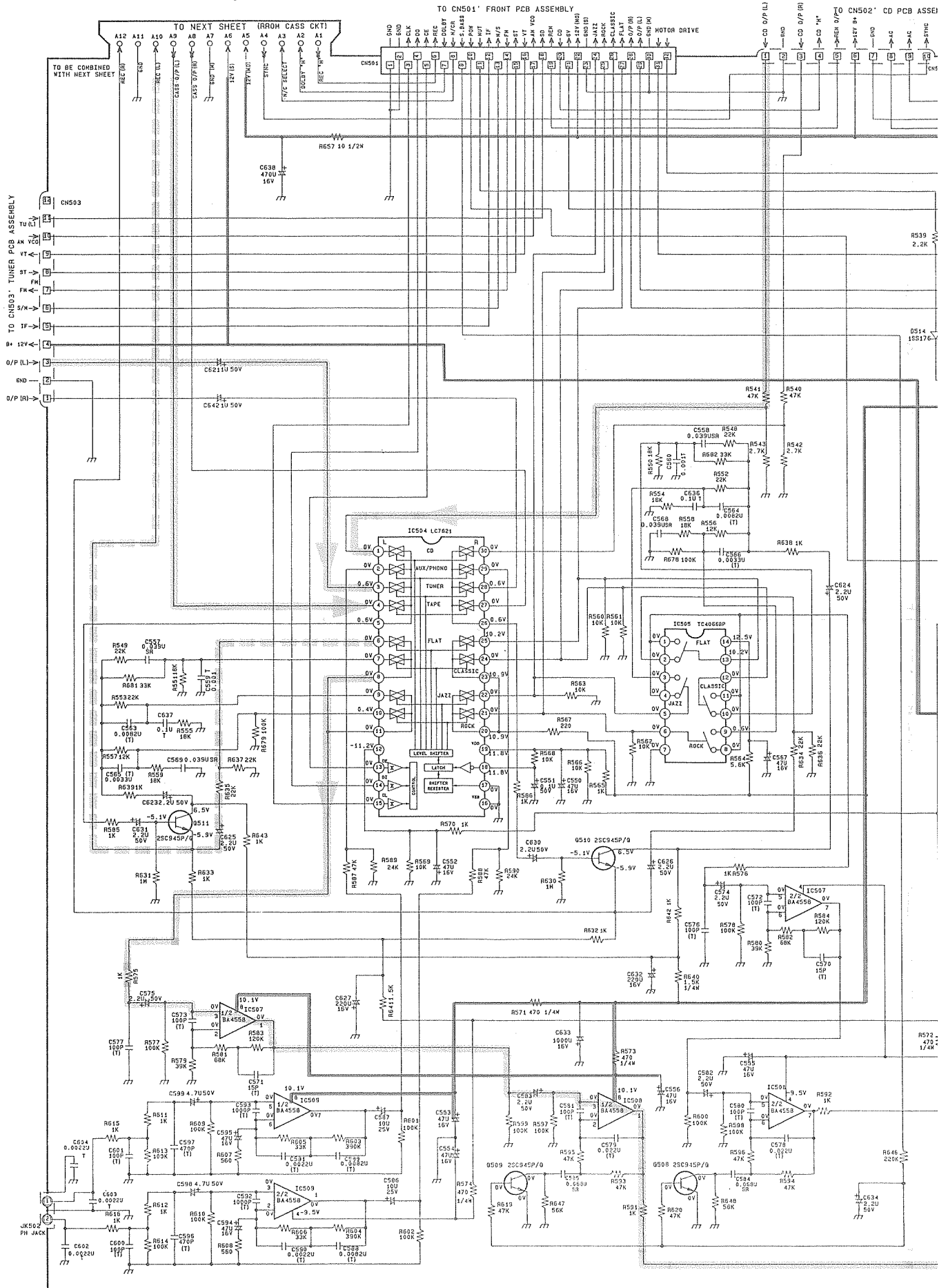


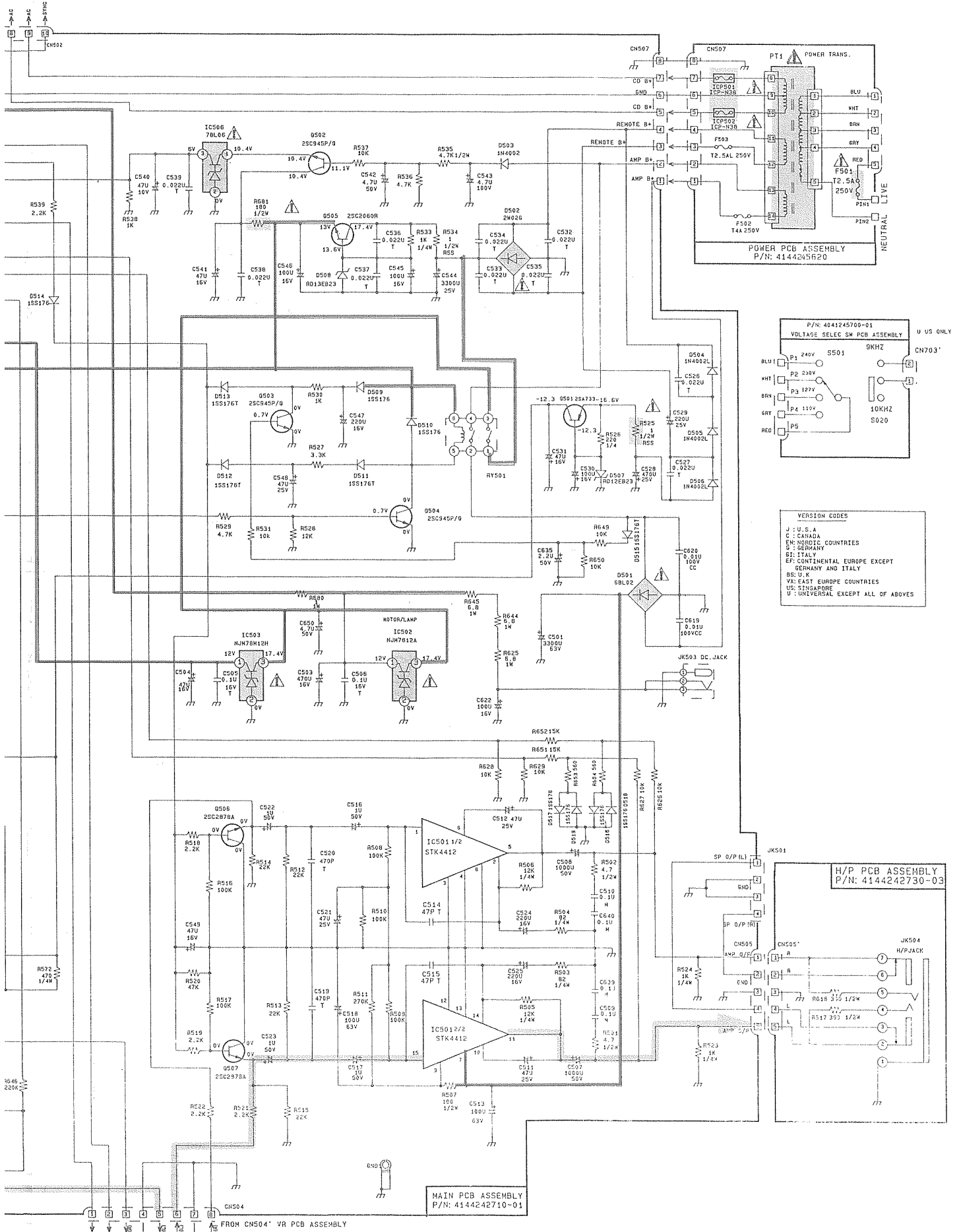
FROM PREVIOUS

v305

■ Souse Select & Amplifier Section

5
4
3
2
1





Tuner Section

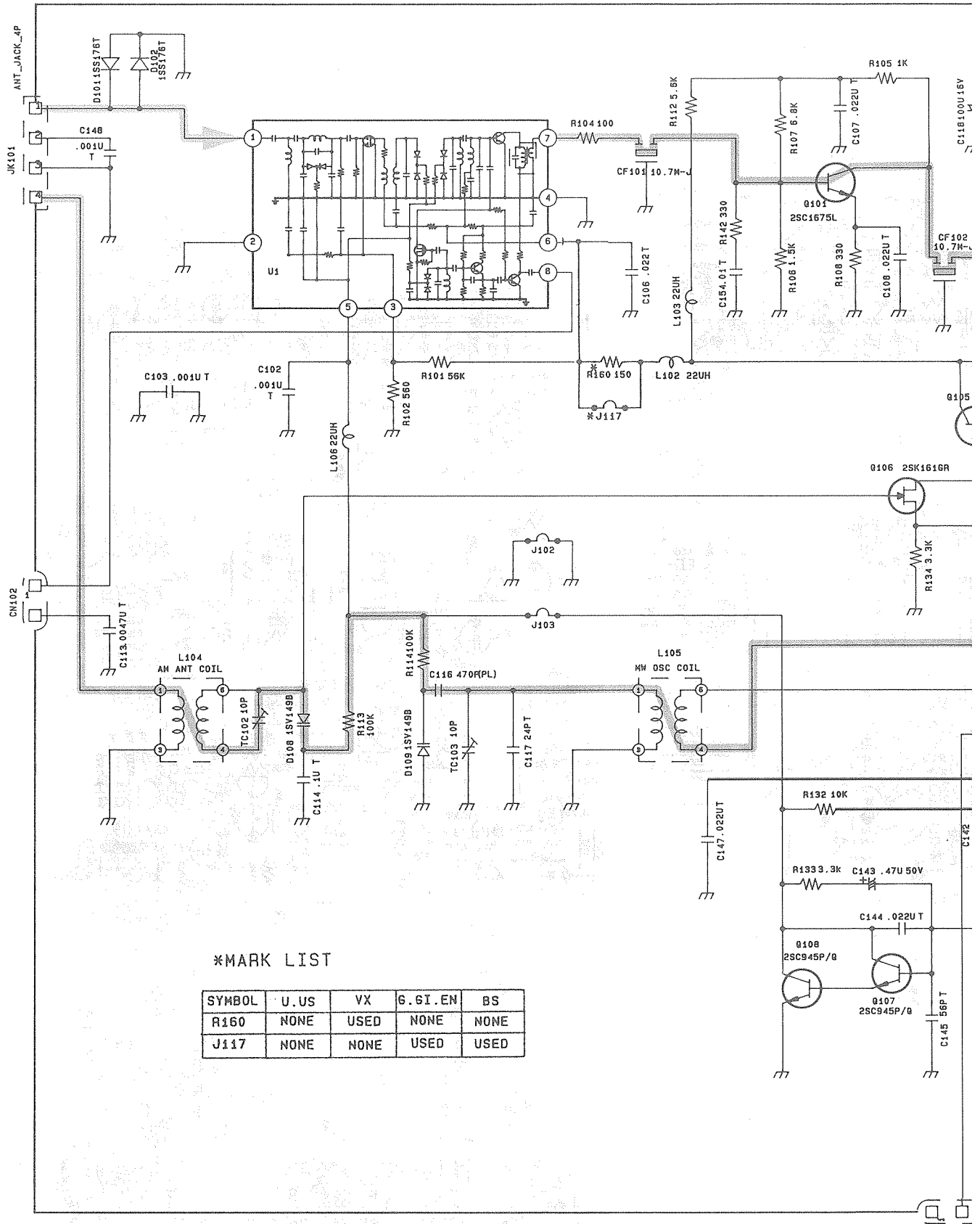
5

4

3

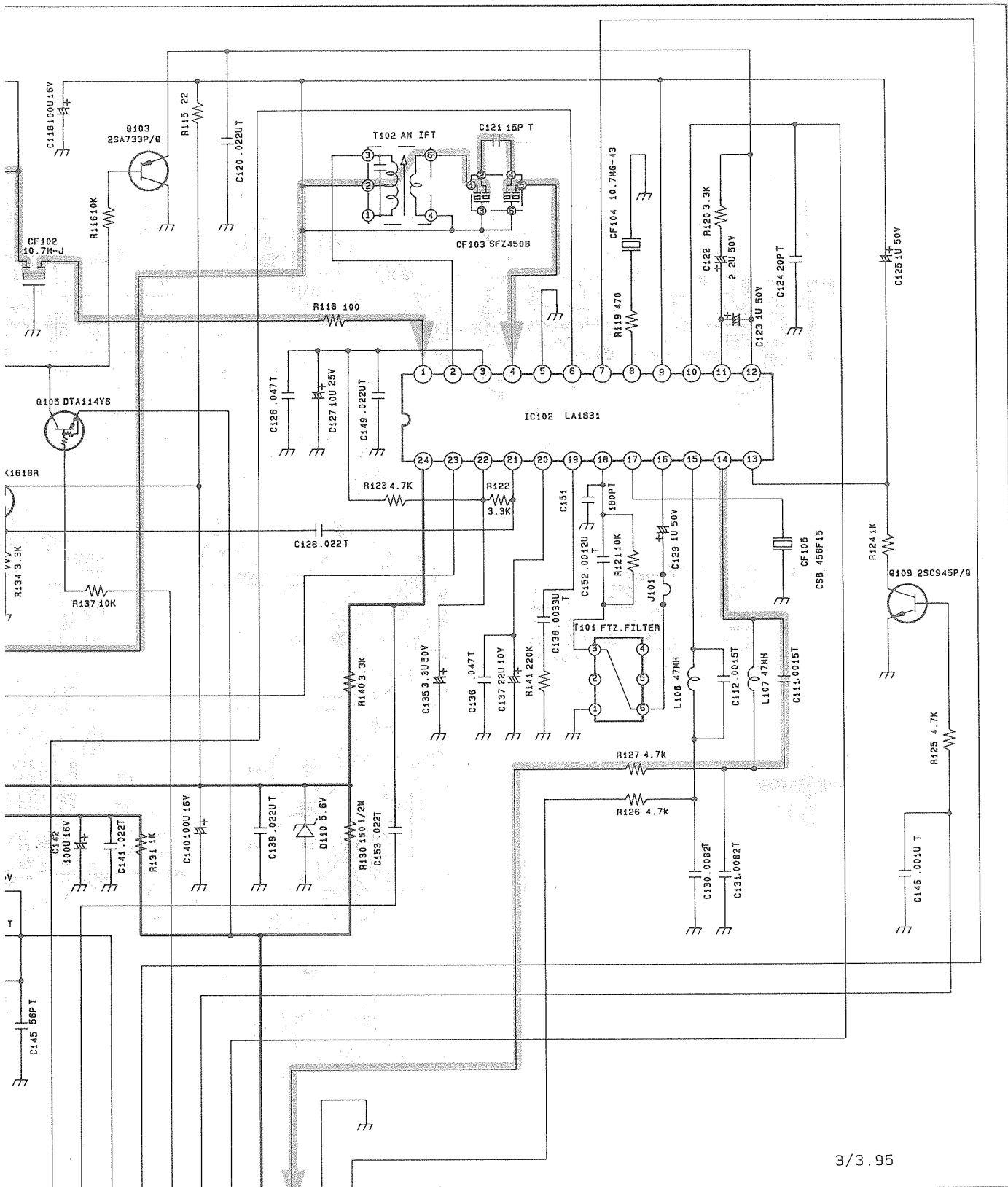
2

1



*MARK LIST

| SYMBOL | U. US | VX | 6. GI. EN | BS |
|--------|-------|------|-----------|------|
| R160 | NONE | USED | NONE | NONE |
| J117 | NONE | NONE | USED | USED |



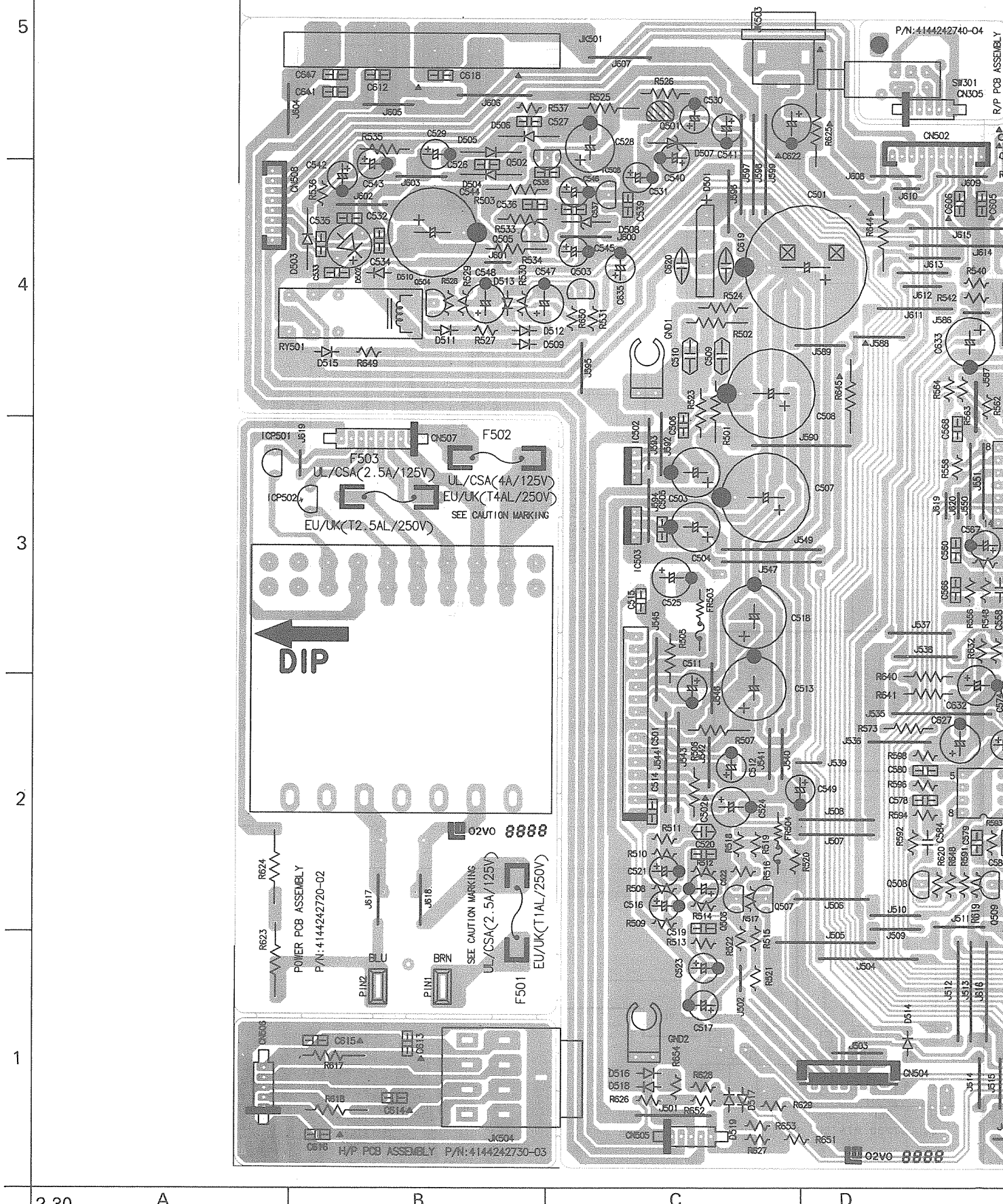
| | | | | | | | | | | |
|-------|----|----|----|---|---|----|----|----|--|--|
| 10 | 69 | 75 | 78 | 4 | 8 | 13 | 70 | 71 | | |
| TU(L) | VT | FM | IF | L | R | | | | | |

IC LC7230 PIN OUT NO.

3/3.95

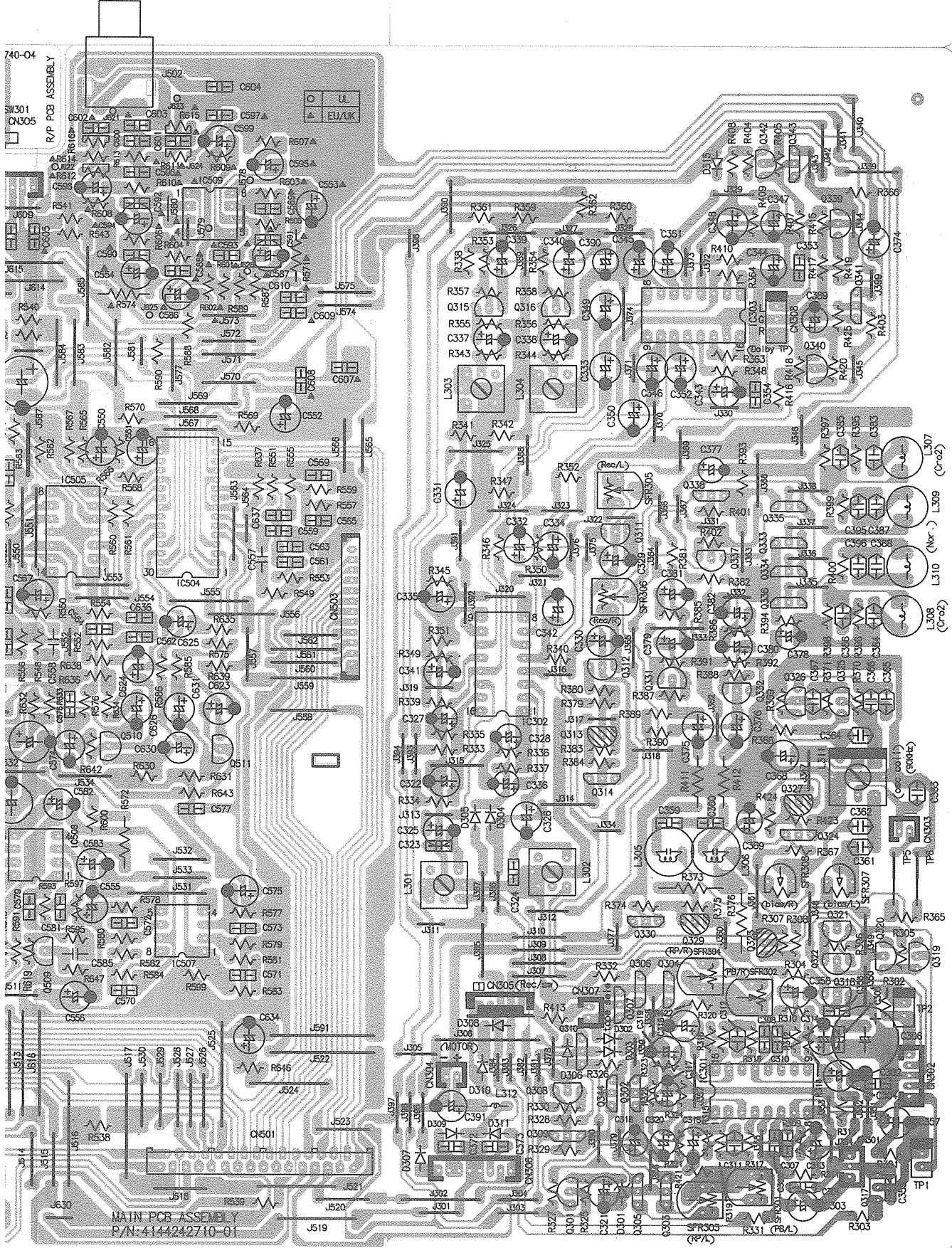
Printed Circuit Board

■ Main P.C.Board



740-04
SW301
CN305
R/P PCB ASSEMBLY

| | |
|---|-------|
| ○ | UL |
| △ | EU/UK |



MAIN PCB ASSEMBLY
P/N: 4144242710-01

E

F

G

H

■ Front P.C.Board

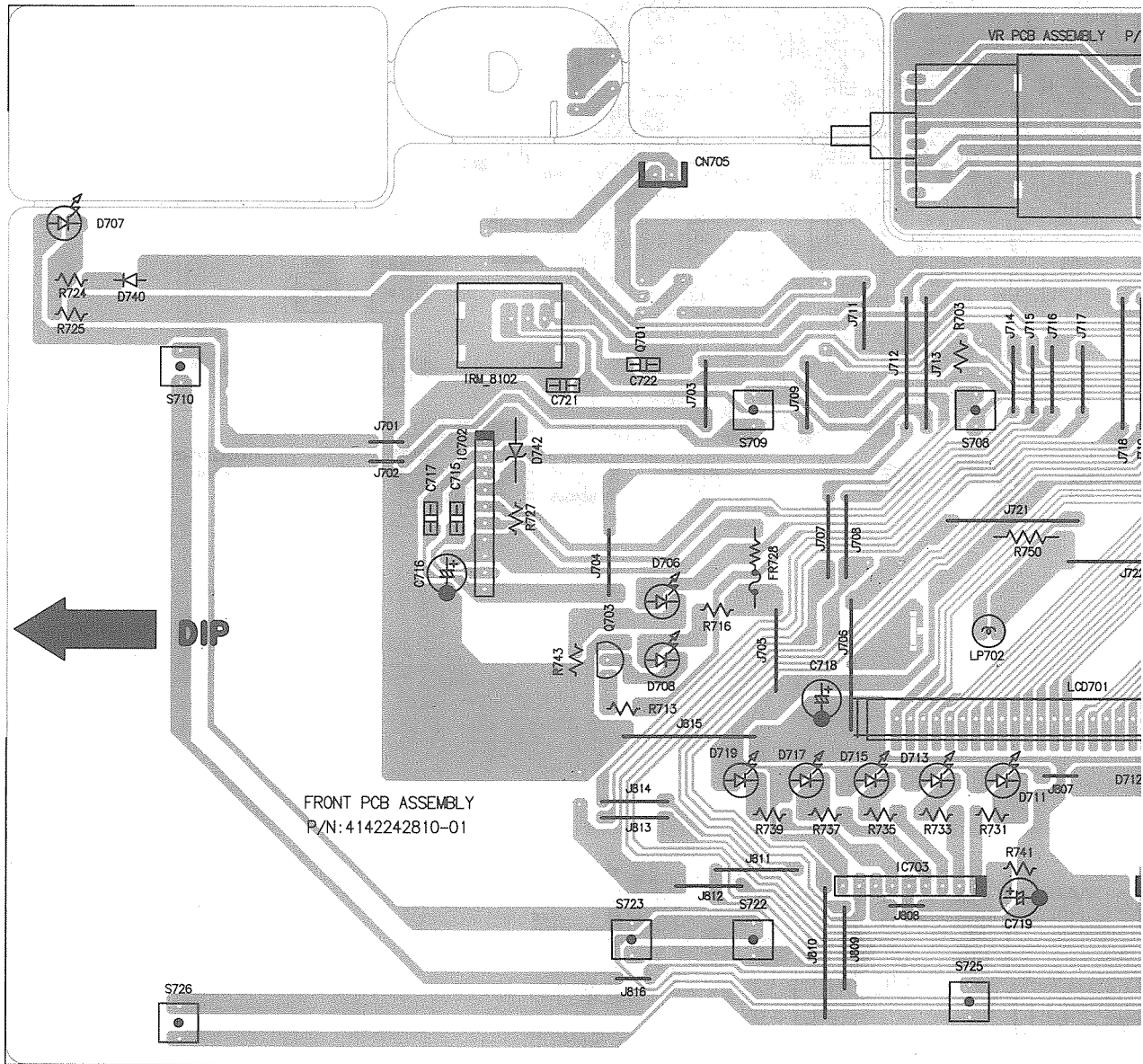
5

4

3

2

1

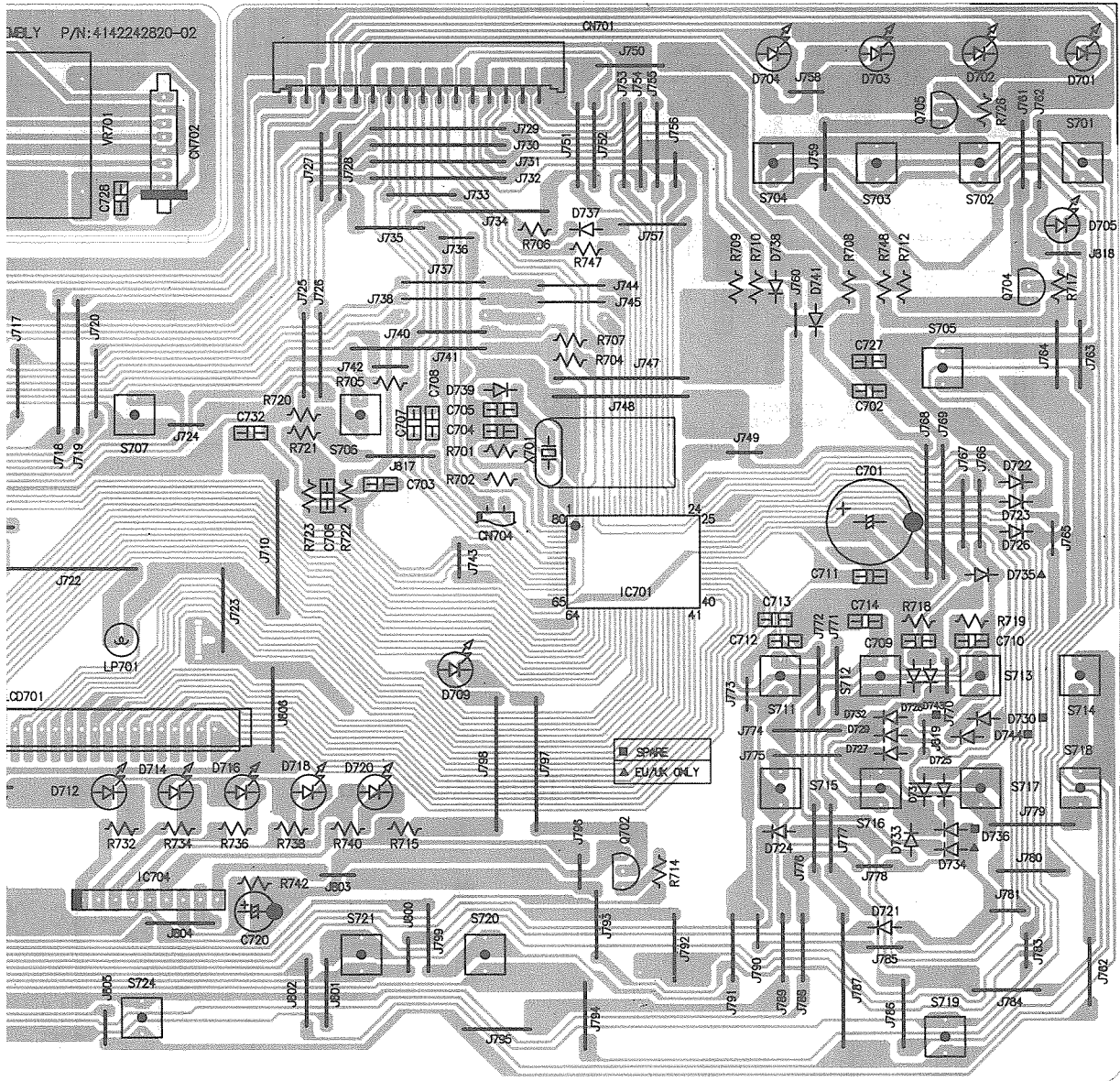


A

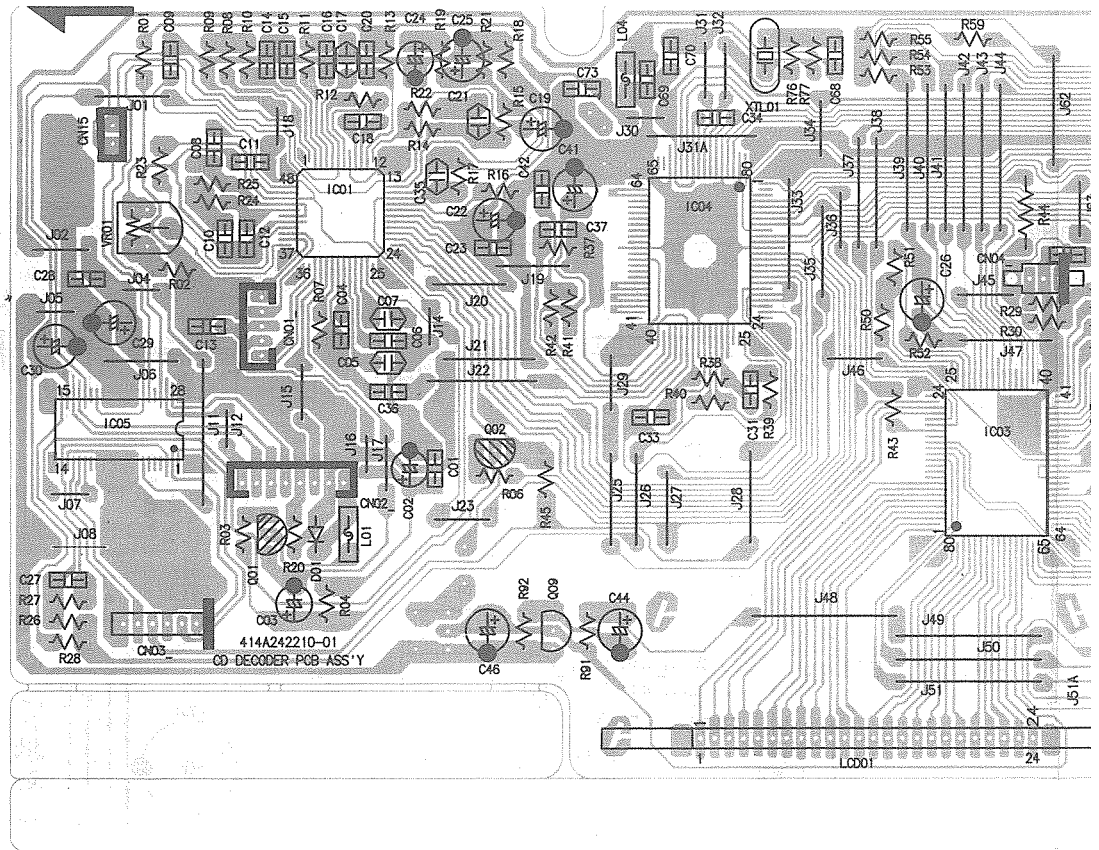
B

C

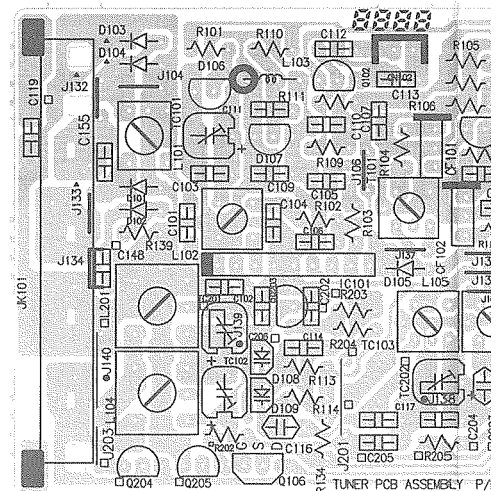
D



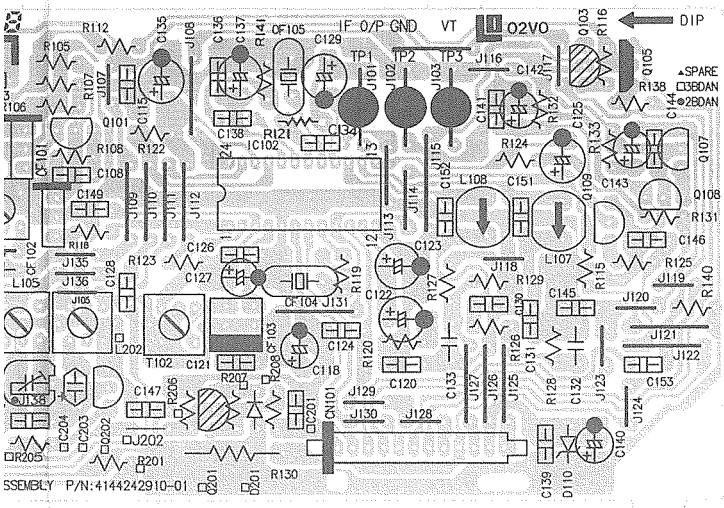
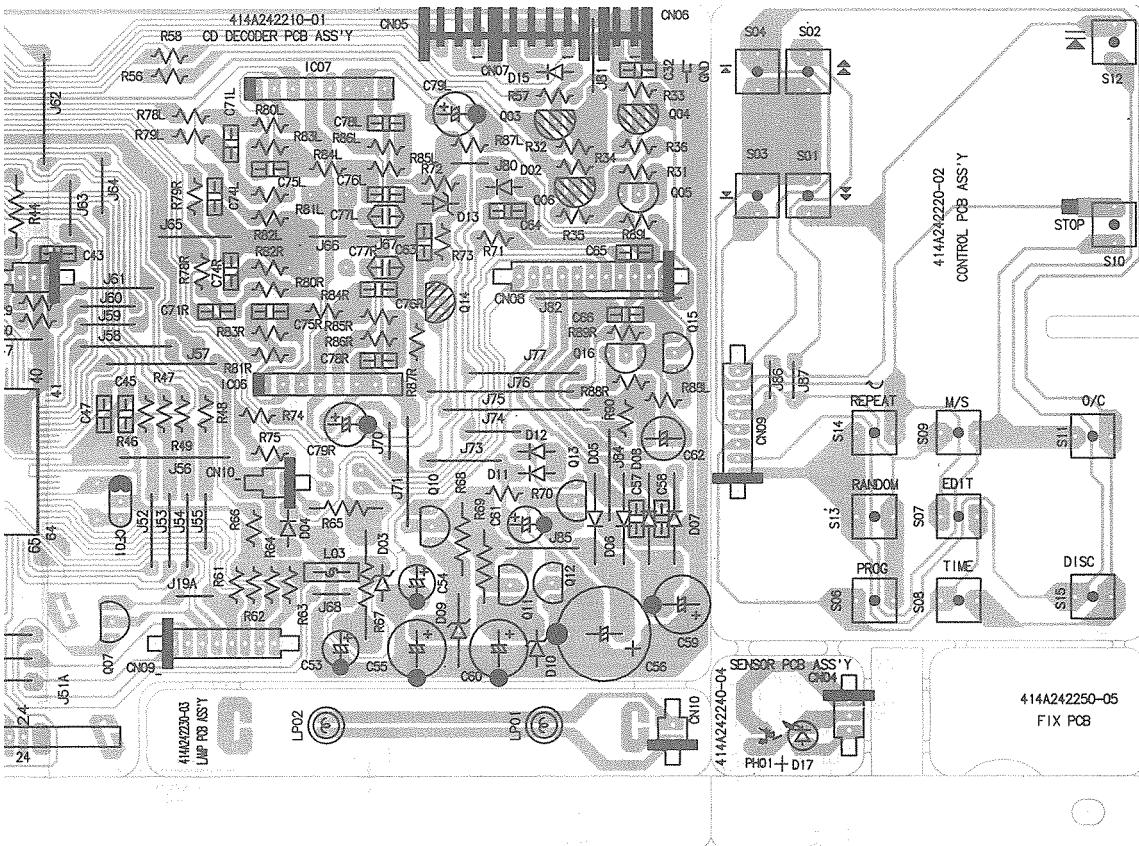
■ CD Decoder, Lamp, Sensor, Control P.C.Board



■ Tuner P.C.Board



5
4
3
2
1



PARTS LIST

※ All printed circuit boards and its assemblies are not available as service parts.

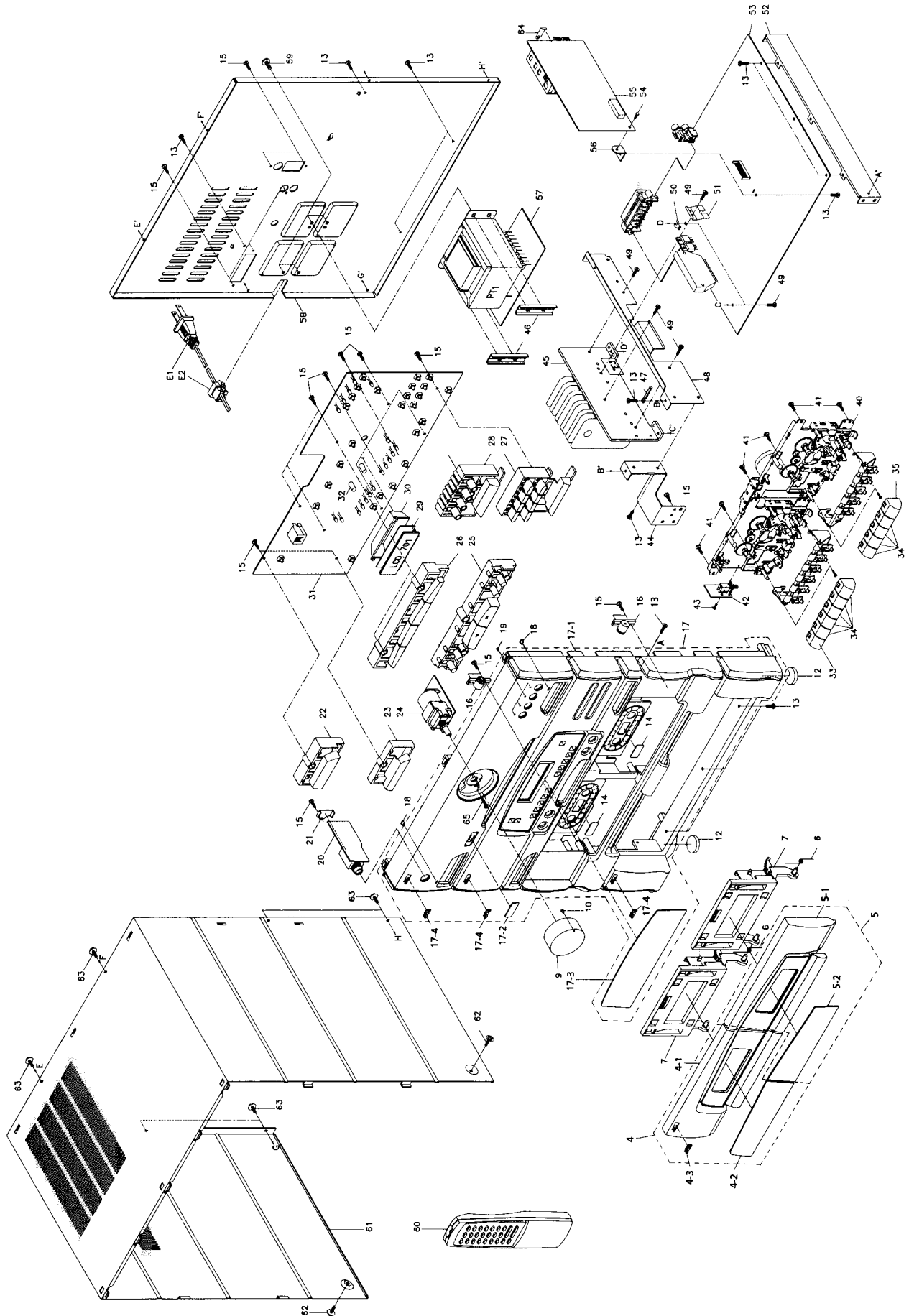
– Contents –

| | |
|---|--------|
| General Exploded View and Parts List | 3 - 2 |
| Changer Mechanism Ass'y and Parts List | 3 - 5 |
| CD Mechanism Ass'y and Parts List | 3 - 8 |
| Cassette Mechanism Ass'y and Parts List | 3 - 9 |
| Electrical Parts List | 3 - 13 |
| ■ Main P.C. Board Ass'y | 3 - 13 |
| ■ Front P.C. Board Ass'y | 3 - 17 |
| ■ CD Decoder P.C. Board Ass'y | 3 - 18 |
| ■ Tuner P.C. Board Ass'y | 3 - 19 |
| Accessories List | 3 - 20 |
| Packing Materials and Part Numbers | 3 - 21 |

General Exploded View and Parts List

Block No.

| | | | |
|---|---|---|---|
| M | 1 | M | M |
|---|---|---|---|



Parts List

Block No.

M 1 M M

| Item | Part Number | Part Name | Q'ty | Description | Area |
|------|-----------------|--------------------------|------|---------------|------|
| 4 | EGB1002079510SA | CASSETTE LID ASSY | 1 | | |
| 4-1 | EGB1002079510 | CASSETTE LID | 1 | (A) | |
| 4-2 | EGB1015079510 | CASSETTE LENS | 1 | (A) | |
| 4-3 | EGB1023079510 | JVC MARK | 1 | (A) | |
| 5 | EGB1003079510SA | CASSETTE LID ASSY | 1 | (B) | |
| 5-1 | EGB1003079510 | CASSETTE LID | 1 | (B) | |
| 5-2 | EGB1016079510 | CASSETTE LENS | 1 | (B) | |
| 6 | EGB2012079510 | SPRING | 1 | | |
| 7 | EGB2001079510 | CASSETTE HOLDER | 2 | | |
| 9 | EGB1004079510 | VOLUME KNOB | 1 | | |
| 10 | EGB1027079510 | INDICATOR LENS | 1 | | |
| 12 | EGB2M22550040 | RUBBER FOOT | 2 | | |
| 13 | EGB8941300600 | SCREW | 13 | | |
| 14 | EGB1045172255 | REFLECT PLATE | 2 | | |
| 15 | EGB8741301000 | SCREW | 16 | | |
| 16 | EGB2000001265 | GEAR DAMPER | 2 | | |
| 17 | EFP-DCME3J(S) | FRONT PANEL ASSY | 1 | | |
| 17-1 | EGB1032079510 | FRONT PANEL | 1 | | |
| 17-2 | EGB1013079510 | REMOTE CONTROL WINDOW | 1 | | |
| 17-3 | EGB1014079510 | WINDOW SCREEN | 1 | | |
| 17-4 | EGB1023079510 | JVC MARK | 3 | | |
| 18 | EGB1012079510 | INDICATOR LENS | 1 | | |
| 19 | EGB1011079510 | INDICATOR LENS | 4 | | |
| 20 | ----- | P.C. BOARD ASSY | 1 | See page 4-13 | |
| 21 | EGB2007075907 | JACK BRACKET | 1 | | |
| 22 | EGB1005079510 | POWER BUTTON | 1 | | |
| 23 | EGB1026079510 | PUSH BUTTON | 1 | | |
| 24 | ----- | P.C. BOARD ASSY | 1 | See page 4-13 | |
| 25 | EGB1009079510 | PUSH BUTTON | 1 | | |
| 26 | EGB1033079510 | PUSH BUTTON | 1 | | |
| 27 | EGB1008079510 | PUSH BUTTON | 1 | | |
| 28 | EGB1007079510 | PUSH BUTTON | 1 | | |
| 29 | EGB1029079510 | FLOURESCENT DISPL.SCREEN | 1 | | |
| 30 | EGB2007079510 | FL HOLDER | 1 | | |
| 31 | ----- | P.C. BOARD ASSY | 1 | See page 4-16 | |
| 32 | EGB2000001205 | LAMP COVER | 1 | | |
| 33 | EGB1024079510 | CASSETTE BUTTON | 1 | | |
| 34 | EGB1010079510 | CASSETTE BUTTON | 2 | | |
| 35 | EGB1025079510 | CASSETTE BUTTON | 1 | | |
| 40 | ----- | CASSETTE MEHANISM ASSY | 1 | See page 4-9 | |
| 41 | EGB8741300800 | SCREW | 6 | | |
| 42 | ----- | P.C. BOARD ASSY | 1 | See page 4-13 | |
| 43 | EGB8611200500 | SCREW | 1 | | |
| 44 | EGB2003079510 | P.W.BOARD BRACKET | 1 | | |
| 45 | EGB2015071234 | HEAT SINK | 1 | | |
| 46 | EGB2006079510 | TRANSFORMER BRACKET | 2 | | |
| 47 | EGB2000000026 | EARTH ROD | 1 | | |
| 48 | EGB2004071234 | HEAT SINK BRACKET | 1 | | |
| 49 | EGB8941300800 | SCREW | 6 | | |
| 50 | EGB2005079551 | EARTH TERMINAL | 1 | | |

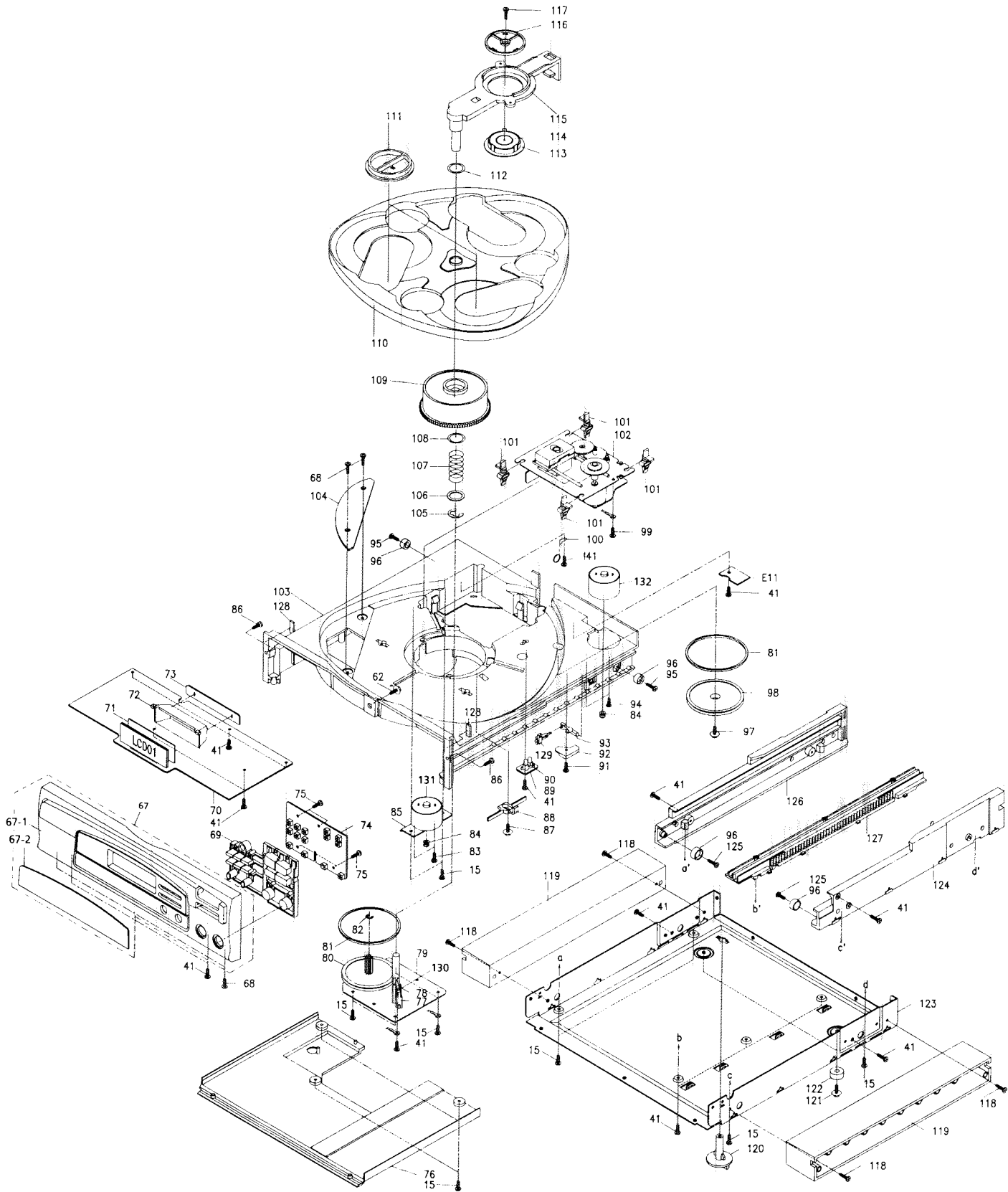
CA-ME38

| ⚠ | Item | Part Number | Part Name | Q'ty | Description | Area |
|---|------|---------------|-------------------|------|---------------|------|
| | 51 | EGB2012076076 | TRANSISTOR COVER | 1 | See page 4-13 | |
| | 52 | EGB2004079510 | P.W.BOARD BRACKET | 1 | | |
| | 53 | ----- | P.C. BOARD ASSY | 1 | | |
| | 54 | EGB2000000152 | PLASTIC RIVET | 1 | | |
| | 55 | ----- | P.C. BOARD ASSY | 1 | | |
| | 56 | EGB2011079510 | P.W.BOARD BRACKET | 1 | See page 4-13 | |
| | 57 | ----- | P.C. BOARD ASSY | 1 | | |
| | 58 | EGB1028079510 | REAR PANEL | 1 | | |
| | 59 | EGB8661400800 | SCREW | 4 | | |
| | 61 | EGB1019079510 | METAL COVER | 1 | | |
| | 62 | EGB8762301000 | SCREW | 2 | | |
| | 63 | EGB8962300800 | SCREW | 6 | | |
| | 64 | EGB2010079510 | EARTH TERMINAL | 1 | | |
| | 65 | EGB8941260800 | SCREW | 1 | | |

Changer Mechanism Ass'y and Parts List

Block No.

| | | | |
|---|---|---|---|
| M | 2 | M | M |
|---|---|---|---|



Parts List (Changer Mechanism Ass'y)

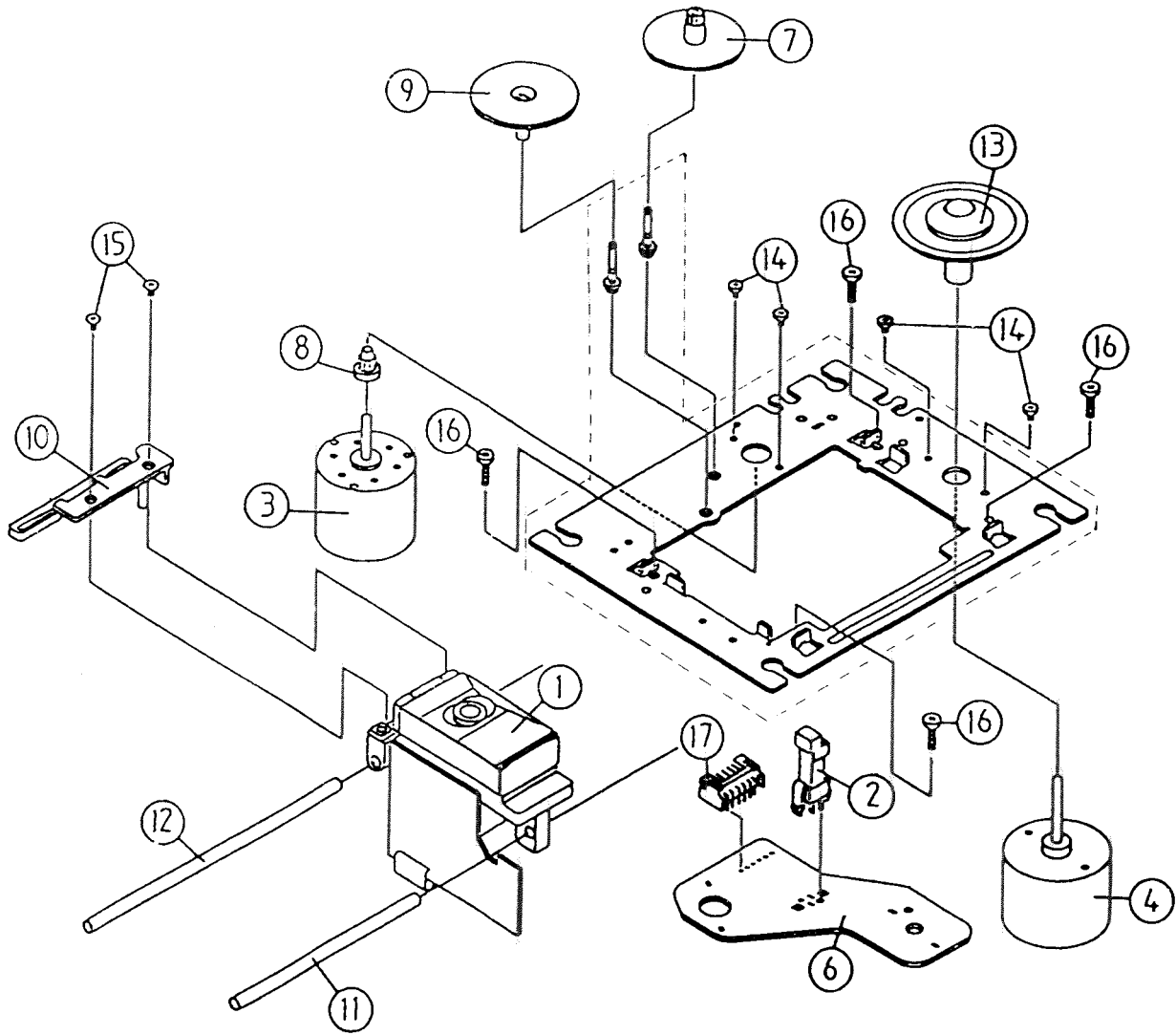
| Item | Part Number | Part Name | Q'ty | Description | Area |
|------|-----------------|---------------------------|------|---------------|------|
| 67 | EGB1022079510SA | FRONT PANEL ASSY | 1 | | |
| 67-1 | EGB1017079510 | FRONT PANEL | 1 | | |
| 67-2 | EGB1022079510 | WINDOW SCREEN | 1 | | |
| 68 | EGB8742260800 | SCREW | 2 | | |
| 69 | EGB1018079510 | PUSH BUTTON | 1 | | |
| 70 | ----- | P.C. BOARD ASSY | 1 | See page 4-18 | |
| 71 | EGB1030079510 | FLOURESCENT DISPL. SCREEN | 1 | | |
| 72 | EGB2008079510 | FL HOLDER | 1 | | |
| 73 | ----- | P.C. BOARD ASSY | 1 | See page 4-18 | |
| 74 | ----- | P.C. BOARD ASSY | 1 | See page 4-18 | |
| 75 | EGB8741260800 | SCREW | 4 | | |
| 76 | EGB200914JD3N | COVER PLATE | 1 | | |
| 77 | EGB201107131J | SWITCH BOX | 1 | | |
| 78 | EGB201327131J | SWITCH PIN | 1 | | |
| 79 | EGB000114JD3N | MOUNTING PLATE | 1 | | |
| 80 | EGB201007131J | DRIVE PULLEY | 1 | | |
| 81 | EGB201207131J | DRIVE BELT | 1 | | |
| 82 | EGB3130000025 | 'E' WASHER | 1 | | |
| 83 | EGB8141260300 | SCREW | 2 | | |
| 84 | EGB200507131J | MOTOR PULLEY | 1 | | |
| 85 | EGB201104JD3N | MOTOR BRACKET | 1 | | |
| 86 | EGB8732300800 | SCREW | 2 | | |
| 87 | EGB8761300800 | SCREW | 1 | | |
| 88 | EGB206307131J | GUIDE PLATE | 1 | | |
| 89 | ----- | P.C. BOARD ASSY | 1 | See page 4-18 | |
| 90 | EGB206607131J | L.E.D. HOLDER | 1 | | |
| 91 | EGB8741301200 | SCREW | 1 | | |
| 92 | EGB2016079510 | LEVER PLATE | 1 | | |
| 93 | EGB204117131J | SWITCH LEVER | 1 | | |
| 94 | EGB8141260400 | SCREW | 2 | | |
| 95 | EGB8741300600 | SCREW | 2 | | |
| 96 | EGB2A2817131J | DRIVE ROLLER | 2 | | |
| 97 | EGB8761260806 | SCREW | 1 | | |
| 98 | EGB200504JD3N | DRIVE PULLEY | 1 | | |
| 99 | EGB8661200500 | SCREW | 1 | | |
| 100 | EGB201404JD3N | WIRE CLAMP | 1 | | |
| 101 | EGB201204JD3N | RUBBER CUSHION | 1 | | |
| 102 | ----- | CD MECHANISM ASSY | 1 | See page 4-8 | |
| 103 | EGB100114JD3N | MECHA BASE | 1 | | |
| 104 | EGB203407131J | COVER PLATE | 1 | | |
| 105 | EGB3130000080 | 'E' WASHER | 1 | | |
| 106 | EGB202407131J | WASHER | 1 | | |
| 107 | EGB2A0614JD3N | SPRING | 1 | | |
| 108 | EGB201904JD3N | POLY WASHER | 1 | | |
| 109 | EGB200804JD3N | CAM GEAR | 1 | | |
| 110 | EGB1A0214JD3N | TURNTABLE | 1 | | |
| 111 | EGB100314JD3N | LOCK PLATE | 1 | | |
| 112 | EGB210007131J | POLY WASHER | 1 | | |
| 113 | EGB201727131J | CD CLAMPER | 1 | | |
| 114 | EGB202604JD3N | MAGNET | 1 | | |

| ⚠ | Item | Part Number | Part Name | Q'ty | Description | Area |
|---|------|---------------|--------------|------|-------------|------|
| | 115 | EGB000214JD3N | CLAMPER BASE | 1 | | |
| | 116 | EGB201607131J | YOKE PLATE | 1 | | |
| | 117 | EGB8742260600 | SCREW | 1 | | |
| | 118 | EGB8941301000 | SCREW | 4 | | |
| | 119 | EGB2005079510 | SIDE BRACKET | 2 | | |
| | 120 | EGB100214JD3D | LOCK STOPPER | 1 | | |
| | 121 | EGB9861300800 | SCREW | 1 | | |
| | 122 | EGB1021079510 | FOOT | 1 | | |
| | 123 | EGB200704JD3N | CHASSIS BASE | 1 | | |
| | 124 | EGB2A0214JD3N | SIDE RAIL | 1 | | |
| | 125 | EGB8761260608 | SCREW | 2 | | |
| | 126 | EGB2A0314JD3N | SIDE RAIL | 1 | | |
| | 127 | EGB200404JD3N | LOADING CAM | 1 | | |
| | 128 | EGB202004JD3N | SPACER | 1 | | |
| | 129 | EGB4400000121 | LEAF SWITCH | 1 | | |
| | 130 | EGB4400000168 | LEAF SWITCH | 1 | | |
| | 131 | EGB4020100190 | D.C. MOTOR | 1 | | |
| | 132 | EGB4020100191 | D.C. MOTOR | 1 | | |

CD Mechanism Ass'y and Parts List

Block No.

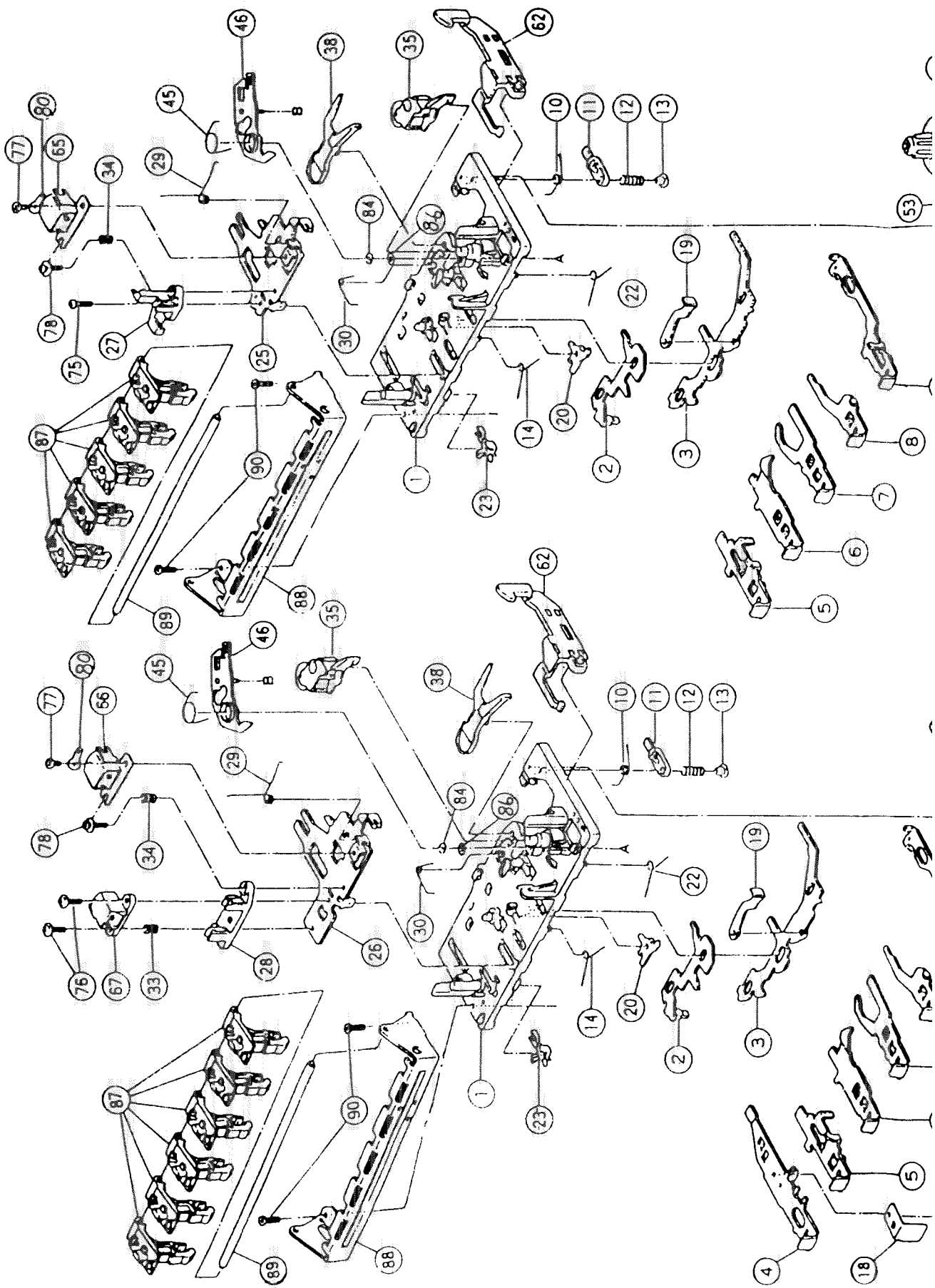
| | | | |
|---|---|---|---|
| M | 3 | M | M |
|---|---|---|---|

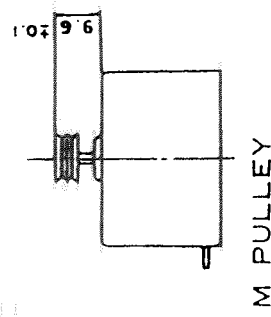
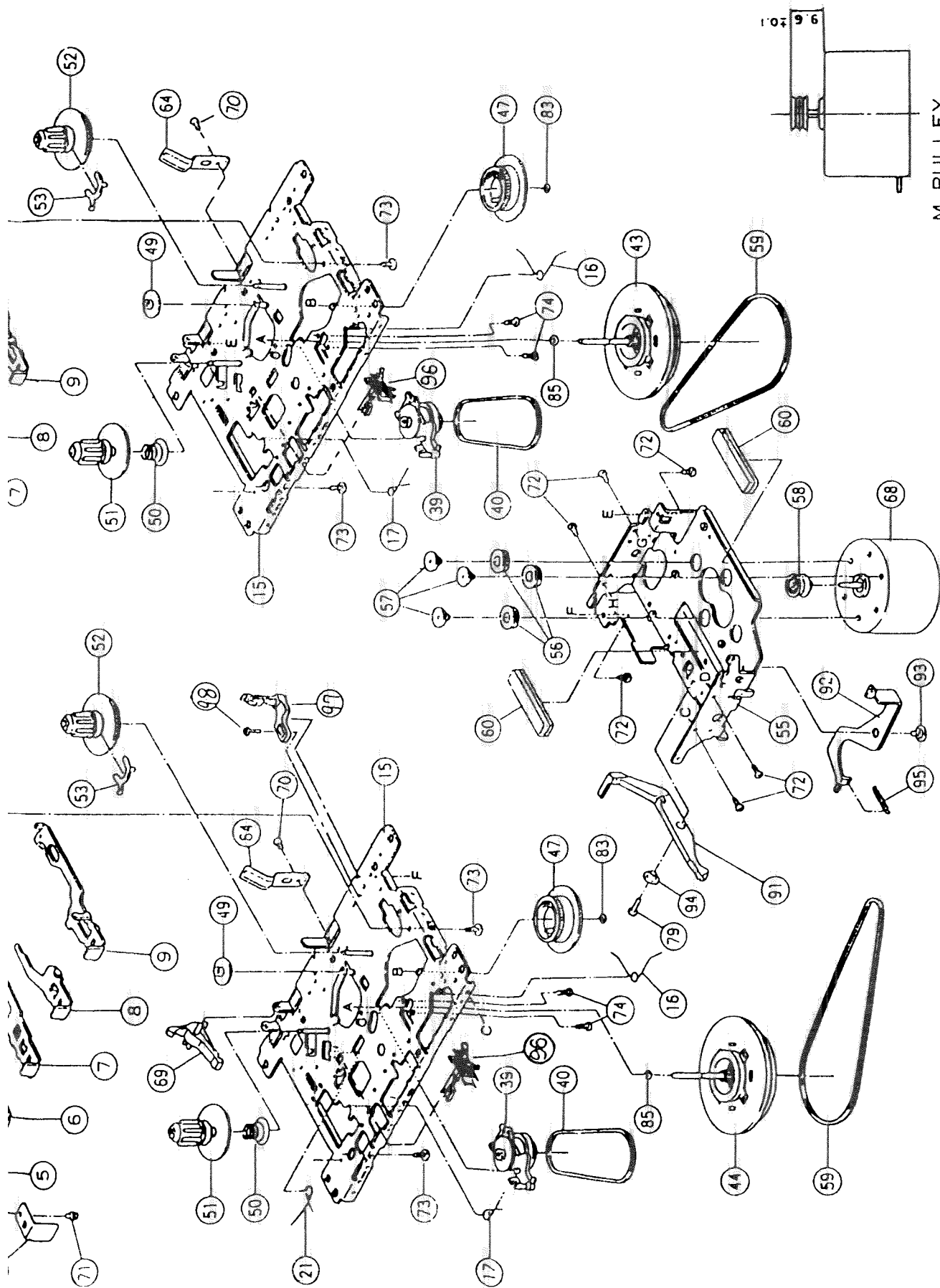


■ Parts List (CD Mechanism Ass'y)

| Item | Part Number | Part Name | Q'ty | Description | Area |
|------|---------------|-----------------------|------|-------------|------|
| 1 | EGB2001CDK90V | OPTICAL PICK-UP | 1 | | |
| 2 | EGB4400000194 | LEAF SWITCH | 1 | | |
| 3 | EGB4020100193 | DC MOTOR | 1 | | |
| 4 | EGB4020100194 | SPINDLE MOTOR | 1 | | |
| 6 | EGB2003CDK90V | PRINTED CIRCUIT BOARD | 1 | | |
| 7 | EGB2004CDK90V | CAM GEAR | 1 | | |
| 8 | EGB2005CDK90V | MOTOR GEAR | 1 | | |
| 9 | EGB2006CDK90V | CAM GEAR | 1 | | |
| 10 | EGB2007CDK90V | RACK GEAR | 1 | | |
| 11 | EGB2008CDK90V | GUIDE SHAFT | 1 | | |
| 12 | EGB2009CDK90V | GUIDE SHAFT | 1 | | |
| 13 | EGB2010CDK90V | TURNTABLE ASSY | 1 | | |
| 14 | EGB2011CDK90V | SCREW | 4 | | |
| 15 | SSSP2004N | SCREW | 2 | | |
| 16 | EGB2013CDK90V | SCREW | 2 | | |
| 17 | EGB2014CDK90V | CONNECT TERMINAL | 1 | | |


Cassette Mechanism Ass'y and Parts List





Block No.

M 4 M M

 Parts List (Cassette Mechanism Ass'y)

| Item | Part Number | Part Name | Q'ty | Description | Area |
|------|-------------|--------------------|------|-------------|------|
| 1 | 192114301ZT | BASE ASS'Y | 2 | | |
| 2 | 19211409T | SWITCH PLATE | 2 | | |
| 3 | 19211408T | LOCK ARM | 2 | | |
| 4 | 19211422T | PUSH LEVER | 1 | | |
| 5 | 19211423T | PUSH LEVER | 2 | | |
| 6 | 19211424T | PUSH LEVER | 2 | | |
| 7 | 19211425T | PUSH LEVER | 2 | | |
| 8 | 19211426T | PUSH LEVER | 2 | | |
| 9 | 19211461T | PUSH LEVER | 2 | | |
| 10 | 19211413T | SPRING | 2 | | |
| 11 | 19211455T | PAUSE LEVER | 2 | | |
| 12 | 19211412T | SPRING | 2 | | |
| 13 | 19211411T | LOCK STOPPER | 2 | | |
| 14 | 19211414T | SPRING | 2 | | |
| 15 | 192101501ZT | CHASSIS ASS'Y | 2 | | |
| 16 | 19211416T | SPRING | 2 | | |
| 17 | 19211417T | SPRING | 2 | | |
| 18 | 15100217T | SPRING | 1 | | |
| 19 | 182101159 | E KICK LEVER | 2 | | |
| 20 | 19211420T | ARM STOPPER | 2 | | |
| 21 | 19211421T | SPRING | 1 | | |
| 22 | 19211415T | SPRING | 2 | | |
| 23 | MSW-1541T | LEAF SWITCH | 2 | | |
| 25 | 19210311T | HEAD PANEL | 1 | | |
| 26 | 19210312T | HEAD PANEL | 1 | | |
| 27 | 19210304AT | HEAD BASE | 1 | | |
| 28 | 19210306T | HEAD BASE | 1 | | |
| 29 | 19210309T | SPRING | 2 | | |
| 30 | 19211418AT | SPRING | 2 | | |
| 33 | 18210308T | EH.SPRING | 1 | | |
| 34 | 18210307T | AZIMUTH SPRING | 2 | | |
| 35 | 192104309T | PINCH ROLLER | 2 | | |
| 38 | 19212604TT | KICK LEVER | 2 | | |
| 39 | 192107308T | R.F.CLUTCH | 2 | | |
| 40 | 19210703T | FR BELT | 2 | | |
| 43 | 192109304ZT | FLYWHEEL ASS'Y | 1 | | |
| 44 | 192109303ZT | FLYWHEEL ASS'Y | 1 | | |
| 45 | 19212605T | SPRING | 2 | | |
| 46 | 192126501ZT | GEAR PLATE ASSY | 2 | | |
| 47 | 19212602T | CAM GEAR | 2 | | |
| 49 | 18211070T | IDLER GEAR | 2 | | |
| 50 | 18211099T | TENSION SPRING | 2 | | |
| 51 | 192105306T | REEL DISK | 2 | | |
| 52 | 192105305T | TAKE-UP REEL DISK | 2 | | |
| 53 | 19210506T | ADJUST RING | 2 | | |
| 55 | 19211211T | MOTOR BRACKET | 1 | | |
| 56 | 18211266T | RUBBER BUSHING | 3 | | |
| 57 | 18511418T | MOTOR COLLAR SCREW | 3 | | |
| 58 | 19211224T | MOTOR PULLEY | 1 | | |
| 59 | 19210924T | CAPSTAN BELT | 2 | | |

CA-ME38

| Item | Part Number | Part Name | Q'ty | Description | Area |
|------|-------------|------------------------|------|-------------|------|
| 60 | 19211212T | SPACER | 2 | | |
| 62 | 19211302T | SLIDE LEVER | 2 | | |
| 64 | 18291001T | SPRING | 2 | | |
| 65 | MS15R-AA2N1 | RECORD & PLAYBACK HEAD | 2 | | |
| 67 | LE15D-C1 | ERASE HEAD | 1 | | |
| 68 | SHL2L50 | DC MOTOR | 1 | | |
| 69 | 18211069T | KICK LEVER | 1 | | |
| 70 | 9P3320032T | SCREW | 2 | | |
| 71 | 91790000T | SCREW | 1 | | |
| 72 | 91800000T | SCREW | 6 | | |
| 73 | 96790000T | SCREW | 4 | | |
| 74 | 99991809T | SCREW | 4 | | |
| 75 | 90040000T | SCREW | 1 | | |
| 76 | 92230000T | SCREW | 2 | | |
| 77 | 91150000T | SCREW | 2 | | |
| 78 | 99220000T | SCREW | 2 | | |
| 79 | 9P0420061T | TAPPING SCREW | 1 | | |
| 80 | 94800000T | CLIP TERMINAL | 2 | | |
| 83 | 94220000T | WASHER | 2 | | |
| 84 | 99997001T | WASHER | 2 | | |
| 85 | 98820000T | POLY WASHER | 2 | | |
| 86 | 99990003T | POLY WASHER | 2 | | |
| 87 | 18213107T | SELECT LEVER | 11 | | |
| 88 | 18213106T | FRAM | 2 | | |
| 89 | 18293103T | SHAFT | 2 | | |
| 90 | 99991402T | SCREW | 4 | | |
| 91 | 19211209T | KICK LEVER | 1 | | |
| 92 | 18211268T | KICK LEVER | 1 | | |
| 93 | 18211223T | SCREW | 1 | | |
| 94 | 18211265T | COLLAR | 1 | | |
| 95 | 18211225T | SPRING | 1 | | |
| 96 | 64050123T | LEAF SWITCH | 2 | | |
| 97 | MSW-1664 | LEAF SWITCH | 1 | | |
| 98 | 96610000T | SCREW | 1 | | |

Electical Parts List

Notice

If symbol numbers have 3 letters or more on P.C.Board, those will be changed to the ones as the followings on Parts Lists.

GND=GN SFR=RA
 ICP=CP PIN=P
 XTL=XT LCD=U
 IRMB=IC

If symbol numbers on P.C. Boards have 2digits, "0" will be added in front of the figures on Parts List.

(eg) IC02 → IC002
 ↑ ↑
 on P.C.B on Parts List

And, if "L" on "R" is described on the symbol numbers end, delete it and "0" will be added in front of the figures in case of "L" and two "0"s for "R".

(eg) R84L → R084
 R84R → R0084
 ↑ ↑
 on P.C.B. on Parts List

■ Main P.C. Board Ass'y

TRANSISTORS

| Δ | ITEM | PART NUMBER | DESCRIPTION | AREA |
|---|------|--------------|----------------------|------|
| | Q301 | 2SC945 | SI. TRANSIST NEC | |
| | Q302 | DTC144ES | DIGITAL TRA ROHM | |
| | Q303 | DTC114TN | DIGITAL TRA ROHM | |
| | Q304 | DTC114TN | DIGITAL TRA ROHM | |
| | Q305 | DTC114TN | DIGITAL TRA ROHM | |
| | Q306 | DTC114TN | DIGITAL TRA ROHM | |
| | Q307 | DTC124ES | DIGITAL TRA 0021 | |
| | Q308 | 2SC945 | SI. TRANSIST NEC | |
| | Q309 | DTC114TN | DIGITAL TRA ROHM | |
| | Q310 | DTC124ES | DIGITAL TRA 0021 | |
| | Q311 | 2SC2878 | SI. TRANSIST 9743 | |
| | Q312 | 2SC2878 | SI. TRANSIST 9743 | |
| | Q313 | 2SA733A(P,K) | SI. TRANSIST NEC | |
| | Q314 | DTC144ES | DIGITAL TRA ROHM | |
| | Q315 | 2SC945 | SI. TRANSIST NEC | |
| | Q316 | 2SC945 | SI. TRANSIST NEC | |
| | Q317 | 2SC945 | SI. TRANSIST NEC | |
| | Q318 | 2SC945 | SI. TRANSIST NEC | |
| | Q319 | 2SC2060(Q,R) | SI. TRANSIST ROHM | |
| | Q320 | 2SC2060(Q,R) | SI. TRANSIST ROHM | |
| | Q321 | 2SC2060(Q,R) | SI. TRANSIST ROHM | |
| | Q322 | 2SC2060(Q,R) | SI. TRANSIST ROHM | |
| | Q323 | 2SA733A(P,K) | SI. TRANSIST NEC | |
| | Q324 | DTC114TN | DIGITAL TRA ROHM | |
| | Q325 | 2SC1815 | SI. TRANSIST TOSHIBA | |
| | Q326 | 2SC1815 | SI. TRANSIST TOSHIBA | |
| | Q327 | 2SA952(L,K) | SI. TRANSIST NEC | |
| | Q329 | 2SA952(L,K) | SI. TRANSIST NEC | |
| | Q330 | DTC114TN | DIGITAL TRA ROHM | |
| | Q331 | 2SC945 | SI. TRANSIST NEC | |
| | Q332 | 2SC945 | SI. TRANSIST NEC | |
| | Q333 | DTC114TN | DIGITAL TRA ROHM | |
| | Q334 | DTC114TN | DIGITAL TRA ROHM | |
| | Q335 | DTC114TN | DIGITAL TRA ROHM | |
| | Q336 | DTC114TN | DIGITAL TRA ROHM | |
| | Q337 | 2SC945 | SI. TRANSIST NEC | |
| | Q338 | DTC114TN | DIGITAL TRA ROHM | |
| | Q339 | 2SC945 | SI. TRANSIST NEC | |
| | Q340 | 2SC945 | SI. TRANSIST NEC | |
| | Q341 | DTC124ES | DIGITAL TRA ROHM | |
| | Q342 | 2SC945 | SI. TRANSIST NEC | |
| | Q343 | DTC114TN | DIGITAL TRA ROHM | |
| | Q344 | DTC124ES | DIGITAL TRA 0021 | |
| | Q501 | 2SA733A(P,K) | SI. TRANSIST NEC | |
| | Q502 | 2SC945 | SI. TRANSIST NEC | |
| | Q503 | 2SC945 | SI. TRANSIST NEC | |
| | Q504 | 2SC945 | SI. TRANSIST NEC | |
| | Q505 | 2SC2060(Q,R) | SI. TRANSIST ROHM | |
| | Q506 | 2SC2878 | SI. TRANSIST 9743 | |
| | Q507 | 2SC2878 | SI. TRANSIST 9743 | |
| | Q508 | 2SC945 | SI. TRANSIST NEC | |
| | Q509 | 2SC945 | SI. TRANSIST NEC | |
| | Q510 | 2SC945 | SI. TRANSIST NEC | |
| | Q511 | 2SC945 | SI. TRANSIST NEC | |

I.C.S.

Block No. 0 1

| Δ | ITEM | PART NUMBER | DESCRIPTION | AREA |
|---|-------|---------------|-------------------|------|
| | IC301 | EGB415307784P | I.C.(MONO-AN 8103 | |
| | IC302 | EGB415308135P | I.C.(MONO-AN 8103 | |
| | IC303 | EGB415601101P | I.C.(MONO-AN 8103 | |
| | IC501 | EGB4152044120 | I.C.(M) 8103 | |
| | IC502 | MC7812CT | I.C.(MONO-AN 7061 | BS |
| | IC502 | MC7812CT | I.C.(MONO-AN 7061 | EF |
| | IC502 | MC7812CT | I.C.(MONO-AN 7061 | EN |
| | IC502 | MC7812CT | I.C.(MONO-AN 7061 | G |
| | IC502 | MC7812CT | I.C.(MONO-AN 7061 | GI |
| | IC502 | MC7812CT | I.C.(MONO-AN 7061 | US |
| | IC502 | UPC7812H | I.C.(MONO-AN NEC | VX |
| | IC504 | EGB4152078210 | I.C.(DIGI-MD 8103 | |
| | IC505 | UPD4066BC | I.C.(DIGI-MD NEC | |
| | IC506 | NJM78L06A | I.C.(MONO-AN 8103 | |
| | IC507 | EGB4159045580 | I.C.(MONO-AN 8103 | |
| | IC508 | EGB4159045580 | I.C.(MONO-AN 8103 | |
| | IC509 | BA4558 | I.C.(MONO-AN RRRR | BS |
| | IC509 | BA4558 | I.C.(MONO-AN RRRR | VX |
| | IC509 | NJM4558D | I.C.(MONO-AN | EF |
| | IC509 | NJM4558D | I.C.(MONO-AN | EN |
| | IC509 | NJM4558D | I.C.(MONO-AN | G |
| | IC509 | NJM4558D | I.C.(MONO-AN | GI |
| | IC509 | NJM4558D | I.C.(MONO-AN | US |

DIODES

| Δ | ITEM | PART NUMBER | DESCRIPTION | AREA |
|---|------|---------------|------------------|------|
| | D301 | MTZ10B | ZENER DIODE ROHM | |
| | D302 | 1SS176-A7 | SI. DIODE 6997 | |
| | D303 | 1SS176-A7 | SI. DIODE 6997 | |
| | D304 | 1SS176-A7 | SI. DIODE 6997 | |
| | D305 | 1SS176-A7 | SI. DIODE 6997 | |
| | D306 | 1SS176-A7 | SI. DIODE 6997 | |
| | D307 | 1SS176-A7 | SI. DIODE 6997 | |
| | D308 | 1SS176-A7 | SI. DIODE 6997 | |
| | D309 | 1SS176-A7 | SI. DIODE 6997 | |
| | D310 | 1SS176-A7 | SI. DIODE 6997 | |
| | D311 | 1SS176-A7 | SI. DIODE 6997 | |
| | D315 | 1SS176-A7 | SI. DIODE 6997 | |
| | D501 | EGB41300GBL02 | DIODE 8103 | |
| | D502 | EGB413022W02G | DIODE 8103 | |
| | D503 | EGB4138104002 | SI. DIODE 8103 | |
| | D504 | EGB4138104002 | SI. DIODE 8103 | |
| | D505 | EGB4138104002 | SI. DIODE 8103 | |
| | D506 | EGB4138104002 | SI. DIODE 8103 | |
| | D507 | R012JSB2 | ZENER DIODE NEC | |
| | D508 | EGB412152130J | ZENER DIODE 8103 | |
| | D509 | 1SS176-A7 | SI. DIODE 6997 | |
| | D510 | 1SS176-A7 | SI. DIODE 6997 | |
| | D511 | 1SS176-A7 | SI. DIODE 6997 | |
| | D512 | 1SS176-A7 | SI. DIODE 6997 | |
| | D513 | 1SS176-A7 | SI. DIODE 6997 | |
| | D514 | 1SS176-A7 | SI. DIODE 6997 | |
| | D515 | 1SS176-A7 | SI. DIODE 6997 | |
| | D516 | 1SS176-A7 | SI. DIODE 6997 | |
| | D517 | 1SS176-A7 | SI. DIODE 6997 | |
| | D518 | 1SS176-A7 | SI. DIODE 6997 | |
| | D519 | 1SS176-A7 | SI. DIODE 6997 | |

CAPACITORS

| ITEM | PART NUMBER | DESCRIPTION | AREA |
|------|---------------|--------------------------|------|
| C301 | QCBB1HK-561Y | 560PF 50V CER.CAPACI | |
| C302 | QCBB1HK-561Y | 560PF 50V CER.CAPACI | |
| C303 | QETB1HM-475E | 4.7MF 50V E.CAPACITO | |
| C304 | QETB1HM-475E | 4.7MF 50V E.CAPACITO | |
| C305 | QCGB1HK-102 | 1000PF 50V CER.CAPACI | |
| C306 | QETB01M-108N | 1000MF 6.3V E.CAPACITO | |
| C307 | QCBB1HK-681Y | 680PF 50V CER.CAPACI | |
| C308 | QCBB1HK-681Y | 680PF 50V CER.CAPACI | |
| C309 | QCBB1HK-681Y | 680PF 50V CER.CAPACI | |
| C310 | QCBB1HK-681Y | 680PF 50V CER.CAPACI | |
| C311 | QFN81HJ-103 | 0.01MF 50V METAL.MYLA | |
| C312 | QFN81HJ-103 | 0.01MF 50V METAL.MYLA | |
| C313 | QETB1CM-226 | 22MF 16V E.CAPACITO | |
| C314 | QETB1CM-226 | 22MF 16V E.CAPACITO | |
| C315 | QETB1HM-475E | 4.7MF 50V E.CAPACITO | |
| C316 | QETB1HM-475E | 4.7MF 50V E.CAPACITO | |
| C317 | QETB1CM-107 | 100MF 16V AL E.CAPAC | |
| C318 | QETB1CM-476 | 47MF 16V AL E.CAPAC | |
| C319 | QETB1EM-106 | 10MF 25V AL E.CAPAC | |
| C320 | QETB1EM-107 | 100MF 10V AL E.CAPAC | |
| C321 | QETB1EM-106 | 10MF 25V AL E.CAPAC | |
| C322 | QETB1CM-227E | 220MF 16V E.CAPACITO | |
| C323 | QCGB1HK-102 | 1000PF 50V CER.CAPACI | |
| C324 | QCGB1HK-102 | 1000PF 50V CER.CAPACI | |
| C325 | QETB1HM-105 | 1MF 50V AL E.CAPAC | |
| C326 | QETB1HM-105 | 1MF 50V AL E.CAPAC | |
| C327 | QETB1CM-107 | 100MF 16V AL E.CAPAC | |
| C328 | QETB1CM-226 | 22MF 16V E.CAPACITO | |
| C329 | QETB1HM-105 | 1MF 50V AL E.CAPAC | |
| C330 | QETB1HM-105 | 1MF 50V AL E.CAPAC | |
| C331 | QETB1HM-105 | 1MF 50V AL E.CAPAC | |
| C332 | QETB1HM-105 | 1MF 50V AL E.CAPAC | |
| C333 | QETB1HM-474 | 0.47MF 50V E.CAPACITO | |
| C334 | QETB1HM-474 | 0.47MF 50V E.CAPACITO | |
| C335 | QETB1EM-106 | 10MF 25V AL E.CAPAC | |
| C336 | QETB1CM-476 | 47MF 16V AL E.CAPAC | |
| C337 | QETB1HM-105 | 1MF 50V AL E.CAPAC | |
| C338 | QETB1HM-105 | 1MF 50V AL E.CAPAC | |
| C339 | QETB1HM-105 | 1MF 50V AL E.CAPAC | |
| C340 | QETB1HM-105 | 1MF 50V AL E.CAPAC | |
| C341 | QETB1HM-105 | 1MF 50V AL E.CAPAC | |
| C342 | QETB1HM-105 | 1MF 50V AL E.CAPAC | |
| C343 | QETB1HM-105 | 1MF 50V AL E.CAPAC | |
| C344 | QETB1CM-107 | 100MF 16V AL E.CAPAC | |
| C345 | QETB1HM-684N | 0.68MF 50V E.CAPACITO | |
| C346 | QETB1HM-684N | 0.68MF 50V E.CAPACITO | |
| C347 | QETB1CM-107 | 100MF 16V AL E.CAPAC | |
| C348 | QETB1EM-106 | 10MF 25V AL E.CAPAC | |
| C349 | QETB1HM-475E | 4.7MF 50V E.CAPACITO | |
| C350 | QETB1HM-475E | 4.7MF 50V E.CAPACITO | |
| C351 | QETB1HM-475E | 4.7MF 50V E.CAPACITO | |
| C352 | QETB1HM-475E | 4.7MF 50V E.CAPACITO | |
| C353 | QCGB1HK-102 | 1000PF 50V CER.CAPACI | |
| C354 | QCGB1HK-102 | 1000PF 50V CER.CAPACI | |
| C355 | QCBB1HK-561Y | 560PF 50V CER.CAPACI | |
| C356 | QCBB1HK-561Y | 560PF 50V CER.CAPACI | |
| C357 | QETB1HM-105 | 1MF 50V AL E.CAPAC | |
| C358 | QETB1HM-105 | 1MF 50V AL E.CAPAC | |
| C359 | QCBB1HK-471Y | 470PF 50V CER.CAPACI | |
| C360 | QCBB1HK-471Y | 470PF 50V CER.CAPACI | |
| C361 | EGBS092221411 | METAL POLY | |
| C362 | EGBS092221411 | METAL POLY | |
| C363 | QFP82AJ-183 | 0.018MF 100V POLYPROPYL. | |
| C364 | QFN81HJ-103 | 0.01MF 50V METAL.MYLA | |
| C365 | QFN81HJ-103 | 0.01MF 50V METAL.MYLA | |
| C366 | QFN31HJ-332 | 3300PF 50V MYLAR CAPA | |
| C367 | QFN31HJ-332 | 3300PF 50V MYLAR CAPA | |
| C368 | QETB1HM-475E | 4.7MF 50V E.CAPACITO | |
| C369 | QETB1EM-106 | 10MF 25V AL E.CAPAC | |
| C372 | QFN81HK-104 | 0.1MF 50V METAL.MYLA | |
| C373 | QFN81HK-104 | 0.1MF 50V METAL.MYLA | |
| C374 | QETB1HM-474 | 0.47MF 50V E.CAPACITO | |
| C375 | QETB1HM-475E | 4.7MF 50V E.CAPACITO | |
| C376 | QETB1HM-475E | 4.7MF 50V E.CAPACITO | |
| C377 | QETB1CM-336 | 33MF 16V AL E.CAPAC | |
| C378 | QETB1CM-336 | 33MF 16V AL E.CAPAC | |
| C379 | QETB1EM-106 | 10MF 25V AL E.CAPAC | |
| C380 | QETB1EM-106 | 10MF 25V AL E.CAPAC | |
| C381 | QETB1HM-334 | 0.33MF 50V AL E.CAPAC | |
| C382 | QETB1HM-334 | 0.33MF 50V AL E.CAPAC | |
| C383 | QFN81HJ-183 | 0.018MF 50V METAL.MYLA | |
| C384 | QFN81HJ-183 | 0.018MF 50V METAL.MYLA | |
| C385 | QFN41HJ-153 | 0.015MF 50V MYLAR CAPA | |
| C386 | QFN41HJ-153 | 0.015MF 50V MYLAR CAPA | |
| C387 | QFN81HJ-103 | 0.01MF 50V METAL.MYLA | |
| C388 | QFN81HJ-103 | 0.01MF 50V METAL.MYLA | |
| C389 | QETB1CM-226 | 22MF 16V E.CAPACITO | |
| C390 | QETB1CM-476 | 47MF 16V AL E.CAPAC | |
| C391 | QETB1CM-227E | 220MF 16V E.CAPACITO | |
| C395 | QFN31HJ-332 | 3300PF 50V MYLAR CAPA | |
| C396 | QFN31HJ-332 | 3300PF 50V MYLAR CAPA | |
| C397 | QFN51HM-475 | 4.7MF 50V MYLAR | |
| C501 | EGBS154332245 | E.CAPACITO | |
| C503 | QETB1CM-477M | 470MF 16V E.CAPACITO | |
| C505 | QFN81HK-104 | 0.1MF 50V METAL.MYLA | |
| C506 | QFN81HK-104 | 0.1MF 50V METAL.MYLA | |
| C507 | QETB1HM-108 | 1000MF 50V AL E.CAPAC | |
| C508 | QETB1HM-108 | 1000MF 50V AL E.CAPAC | |
| C509 | QFN81HJ-104 | 0.1MF 50V METAL.MYLA | |
| C510 | QFN81HJ-104 | 0.1MF 50V METAL.MYLA | |
| C511 | QETB1EM-476 | 47MF 25V AL E.CAPAC | |
| C512 | QETB1EM-476 | 47MF 25V AL E.CAPAC | |
| C513 | QETB1JM-107 | 100MF 63V AL E.CAPAC | |
| C514 | QCGB1HK-102 | 1000PF 50V CER.CAPACI | |
| C515 | QCGB1HK-102 | 1000PF 50V CER.CAPACI | |
| C516 | QETB1HM-105 | 1MF 50V AL E.CAPAC | |
| C517 | QETB1HM-105 | 1MF 50V AL E.CAPAC | |
| C518 | QETB1JM-107 | 100MF 63V AL E.CAPAC | |
| C519 | QCBB1HK-471Y | 470PF 50V CER.CAPACI | |
| C520 | QCBB1HK-471Y | 470PF 50V CER.CAPACI | |

CAPACITORS

| ITEM | PART NUMBER | DESCRIPTION | AREA |
|------|---------------|-------------------------|------|
| C521 | QETB1EM-476 | 47MF 25V AL E.CAPAC | |
| C522 | QETB1HM-105 | 1MF 50V AL E.CAPAC | |
| C523 | QETB1HM-105 | 1MF 50V AL E.CAPAC | |
| C524 | QETB1CM-227E | 220MF 16V E.CAPACITO | |
| C525 | QETB1CM-227E | 220MF 16V E.CAPACITO | |
| C526 | QCBB1EZ-223 | 0.022MF 25V CER.CAPACI | |
| C527 | QCBB1EZ-223 | 0.022MF 25V CER.CAPACI | |
| C528 | QETB1EM-477E | 470MF 25V AL E.CAPACITO | |
| C529 | QETB1EM-227 | 220MF 25V AL E.CAPAC | |
| C530 | QETB1CM-107 | 100MF 16V AL E.CAPAC | |
| C531 | QETB1CM-476 | 47MF 16V AL E.CAPAC | |
| C532 | QCBB1EZ-223 | 0.022MF 25V CER.CAPACI | |
| C533 | QCBB1EZ-223 | 0.022MF 25V CER.CAPACI | |
| C534 | QCBB1EZ-223 | 0.022MF 25V CER.CAPACI | |
| C535 | QCBB1EZ-223 | 0.022MF 25V CER.CAPACI | |
| C536 | QCBB1EZ-223 | 0.022MF 25V CER.CAPACI | |
| C537 | QCBB1EZ-223 | 0.022MF 25V CER.CAPACI | |
| C538 | QCBB1EZ-223 | 0.022MF 25V CER.CAPACI | |
| C539 | QCBB1EZ-223 | 0.022MF 25V CER.CAPACI | |
| C540 | QETB1CM-476 | 47MF 16V AL E.CAPAC | |
| C541 | QETB1CM-476 | 47MF 16V AL E.CAPAC | |
| C542 | QETB1HM-475E | 4.7MF 50V E.CAPACITO | |
| C543 | QETB2AM-476 | 47MF 100V AL E.CAPAC | |
| C544 | QETB1VM-338 | 3300MF 35V AL E.CAPAC | |
| C545 | QETB1CM-107 | 100MF 16V AL E.CAPAC | |
| C546 | QETB1CM-107 | 100MF 16V AL E.CAPAC | |
| C547 | QETB1CM-227E | 220MF 16V E.CAPACITO | |
| C548 | QETB1EM-476 | 47MF 25V AL E.CAPAC | |
| C549 | QETB1CM-476 | 47MF 16V AL E.CAPAC | |
| C550 | QETB1CM-476 | 47MF 16V AL E.CAPAC | |
| C551 | QETB1HM-104N | 0.1MF 50V E.CAPACITO | |
| C552 | QETB1CM-476 | 47MF 16V AL E.CAPAC | |
| C553 | QETB1CM-476 | 47MF 16V AL E.CAPAC | |
| C556 | QETB1CM-476 | 47MF 16V AL E.CAPAC | |
| C557 | QCZ0205-155 | 1.5MF 25V C.CAPACITO | |
| C557 | QETB1CM-476 | 47MF 16V AL E.CAPAC | |
| C558 | QCZ0205-155 | 1.5MF 25V C.CAPACITO | |
| C559 | QCVB1CM-822Y | 8200PF 16V CER.CAPACI | |
| C560 | QCGB1HK-102 | 1000PF 50V CER.CAPACI | |
| C563 | QCVB1CM-822Y | 8200PF 16V CER.CAPACI | |
| C564 | QCVB1CM-822Y | 8200PF 16V CER.CAPACI | |
| C565 | QCXB1CM-332Y | 3300PF 16V CER.CAPACI | |
| C566 | QCXB1CM-332Y | 3300PF 16V CER.CAPACI | |
| C567 | QETB1CM-476 | 47MF 16V AL E.CAPAC | |
| C568 | QCZ0205-155 | 1.5MF 25V C.CAPACITO | |
| C569 | QCZ0205-155 | 1.5MF 25V C.CAPACITO | |
| C570 | QCSB1HJ-150Y | 15PF 50V CER.CAPACI | |
| C571 | QCSB1HJ-150Y | 15PF 50V CER.CAPACI | |
| C572 | QCBB1HK-101Y | 100PF 50V CER.CAPACI | |
| C573 | QCBB1HK-101Y | 100PF 50V CER.CAPACI | |
| C574 | QETB1HM-225 | 2.2MF 50V AL E.CAPAC | |
| C575 | QETB1HM-225 | 2.2MF 50V AL E.CAPAC | |
| C576 | QCBB1HK-101Y | 100PF 50V CER.CAPACI | |
| C577 | QCBB1HK-101Y | 100PF 50V CER.CAPACI | |
| C578 | QCBB1EZ-223 | 0.022MF 25V CER.CAPACI | |
| C579 | QCBB1EZ-223 | 0.022MF 25V CER.CAPACI | |
| C580 | QCBB1HK-101Y | 100PF 50V CER.CAPACI | |
| C581 | QCBB1HK-101Y | 100PF 50V CER.CAPACI | |
| C582 | QETB1HM-225 | 2.2MF 50V AL E.CAPAC | |
| C583 | QETB1HM-225 | 2.2MF 50V AL E.CAPAC | |
| C584 | EGBS105683132 | CER.CAPACI | |
| C585 | EGBS105683132 | CER.CAPACI | |
| C598 | QETB1HM-475E | 4.7MF 50V E.CAPACITO | |
| C599 | QETB1HM-475E | 4.7MF 50V E.CAPACITO | |
| C619 | QCF21HP-103A | 0.01MF 50V CER.CAPACI | |
| C620 | QCF21HP-103A | 0.01MF 50V CER.CAPACI | |
| C623 | QETB1HM-225 | 2.2MF 50V AL E.CAPAC | |
| C624 | QETB1HM-225 | 2.2MF 50V AL E.CAPAC | |
| C625 | QETB1HM-225 | 2.2MF 50V AL E.CAPAC | |
| C626 | QETB1HM-225 | 2.2MF 50V AL E.CAPAC | |
| C627 | QETB1CM-227E | 220MF 16V E.CAPACITO | |
| C630 | QETB1HM-225 | 2.2MF 50V AL E.CAPAC | |
| C631 | QETB1HM-225 | 2.2MF 50V AL E.CAPAC | |
| C632 | QETB1CM-227E | 220MF 16V E.CAPACITO | |
| C633 | QETB1CM-108 | 1000MF 16V AL E.CAPAC | |
| C634 | QETB1HM-225 | 2.2MF 50V AL E.CAPAC | |
| C635 | QETB1HM-225 | 2.2MF 50V AL E.CAPAC | |
| C636 | QFN81HK-104 | 0.1MF 50V METAL.MYLA | |
| C637 | QFN81HK-104 | 0.1MF 50V METAL.MYLA | |
| C638 | QETB1CM-477M | 470MF 16V E.CAPACITO | |
| C639 | QFN81HJ-104 | 0.1MF 50V METAL.MYLA | |
| C641 | QETB1HM-105 | 1MF 50V AL E.CAPAC | |
| C642 | QETB1HM-105 | 1MF 50V AL E.CAPAC | |
| C649 | QFN81HJ-104 | 0.1MF 50V METAL.MYLA | |

RESISTORS

RESISTORS

| ITEM | PART NUMBER | DESCRIPTION | AREA |
|------|--------------|----------------------|------|
| R301 | QRD161J-100 | 10 1/6W CARBON RES | |
| R302 | QRD161J-100 | 10 1/6W CARBON RES | |
| R303 | QRD161J-473 | 47K 1/6W CARBON RES | |
| R304 | QRD161J-473 | 47K 1/6W CARBON RES | |
| R305 | QRD161J-103 | 10K 1/6W CARBON RES | |
| R306 | QRD161J-103 | 10K 1/6W CARBON RES | |
| R307 | QRD161J-472 | 4.7K 1/6W CARBON RES | |
| R308 | QRD161J-472 | 4.7K 1/6W CARBON RES | |
| R309 | QRD167J-151 | 150 1/6W CARBON RES | |
| R310 | QRD167J-151 | 150 1/6W CARBON RES | |
| R311 | QRD161J-683 | 68K 1/6W CARBON RES | |
| R312 | QRD161J-683 | 68K 1/6W CARBON RES | |
| R313 | QRD161J-683 | 68K 1/6W CARBON RES | |
| R314 | QRD161J-683 | 68K 1/6W CARBON RES | |
| R315 | QRD167J-334 | 330K 1/6W CARBON RES | |
| R316 | QRD167J-334 | 330K 1/6W CARBON RES | |
| R317 | QRD161J-183 | 18K 1/6W CARBON RES | |
| R318 | QRD161J-183 | 18K 1/6W CARBON RES | |
| R319 | QRD167J-153 | 15K 1/6W CARBON RES | |
| R320 | QRD167J-153 | 15K 1/6W CARBON RES | |
| R321 | QRD167J-151 | 150 1/6W CARBON RES | |
| R322 | QRD167J-223 | 22K 1/6W CARBON RES | |
| R323 | QRD161J-473 | 47K 1/6W CARBON RES | |
| R324 | QRD161J-103 | 10K 1/6W CARBON RES | |
| R325 | QRD161J-222 | 2.2K 1/6W CARBON RES | |
| R326 | QRD167J-153 | 15K 1/6W CARBON RES | |
| R327 | QRD167J-223 | 22K 1/6W CARBON RES | |
| R328 | QRD161J-103 | 10K 1/6W CARBON RES | |
| R329 | QRD161J-103 | 10K 1/6W CARBON RES | |
| R330 | QRD167J-223 | 22K 1/6W CARBON RES | |
| R331 | QRD161J-472 | 4.7K 1/6W CARBON RES | |
| R332 | QRD161J-472 | 4.7K 1/6W CARBON RES | |
| R333 | QRD167J-153 | 15K 1/6W CARBON RES | |
| R334 | QRD161J-271 | 270 1/6W CARBON RES | |
| R335 | QRD167J-223 | 22K 1/6W CARBON RES | |
| R336 | QRD161J-103 | 10K 1/6W CARBON RES | |
| R337 | QRD161J-472 | 4.7K 1/6W CARBON RES | |
| R338 | QRD161J-102 | 1K 1/6W CARBON RES | |
| R339 | QRD167J-334 | 330K 1/6W CARBON RES | |
| R340 | QRD167J-334 | 330K 1/6W CARBON RES | |
| R341 | QRD167J-562 | 5.6K 1/6W CARBON RES | |
| R342 | QRD167J-562 | 5.6K 1/6W CARBON RES | |
| R343 | QRD161J-222 | 2.2K 1/6W CARBON RES | |
| R344 | QRD161J-222 | 2.2K 1/6W CARBON RES | |
| R345 | QRD167J-334 | 330K 1/6W CARBON RES | |
| R346 | QRD161J-472 | 4.7K 1/6W CARBON RES | |
| R347 | QRD161J-103 | 10K 1/6W CARBON RES | |
| R348 | QRD167J-433 | 43K 1/6W CARBON RES | |
| R349 | QRD161J-104 | 100K 1/6W CARBON RES | |
| R350 | QRD161J-104 | 100K 1/6W CARBON RES | |
| R351 | QRD161J-104 | 100K 1/6W CARBON RES | |
| R352 | QRD161J-104 | 100K 1/6W CARBON RES | |
| R353 | QRD161J-472 | 4.7K 1/6W CARBON RES | |
| R354 | QRD161J-472 | 4.7K 1/6W CARBON RES | |
| R355 | QRD161J-472 | 4.7K 1/6W CARBON RES | |
| R356 | QRD161J-472 | 4.7K 1/6W CARBON RES | |
| R357 | QRD161J-105 | 1M 1/6W CARBON RES | |
| R358 | QRD161J-105 | 1M 1/6W CARBON RES | |
| R361 | QRD161J-472 | 4.7K 1/6W CARBON RES | |
| R362 | QRD161J-472 | 4.7K 1/6W CARBON RES | |
| R363 | QRD161J-473 | 47K 1/6W CARBON RES | |
| R364 | QRD161J-473 | 47K 1/6W CARBON RES | |
| R365 | QRD161J-1R0 | 1 1/6W CARBON RES | |
| R366 | QRD161J-104 | 100K 1/6W CARBON RES | |
| R367 | QRD161J-472 | 4.7K 1/6W CARBON RES | |
| R368 | QRD161J-330 | 33 1/6W CARBON RES | |
| R369 | QRD161J-330 | 33 1/6W CARBON RES | |
| R370 | QRD167J-273 | 27K 1/6W CARBON RES | |
| R371 | QRD167J-273 | 27K 1/6W CARBON RES | |
| R373 | QRD125J-220 | 22 1/2W UNF. CARBON | |
| R374 | QRD161J-103 | 10K 1/6W CARBON RES | |
| R375 | QRD161J-472 | 4.7K 1/6W CARBON RES | |
| R376 | QRD121J-101 | 100 1/2W CARBON RES | |
| R379 | QRD161J-103 | 10K 1/6W CARBON RES | |
| R380 | QRD161J-103 | 10K 1/6W CARBON RES | |
| R381 | QRD161J-331 | 330 1/6W CARBON RES | |
| R382 | QRD161J-331 | 330 1/6W CARBON RES | |
| R383 | QRD161J-472 | 4.7K 1/6W CARBON RES | |
| R384 | QRD161J-103 | 10K 1/6W CARBON RES | |
| R385 | QRD161J-472 | 4.7K 1/6W CARBON RES | |
| R386 | QRD161J-472 | 4.7K 1/6W CARBON RES | |
| R387 | QRD161J-125 | 1.2M 1/6W CARBON RES | |
| R388 | QRD161J-125 | 1.2M 1/6W CARBON RES | |
| R389 | QRD167J-153 | 15K 1/6W CARBON RES | |
| R390 | QRD167J-153 | 15K 1/6W CARBON RES | |
| R391 | QRD161J-182 | 1.8K 1/6W CARBON RES | |
| R392 | QRD161J-182 | 1.8K 1/6W CARBON RES | |
| R393 | QRD161J-104 | 100K 1/6W CARBON RES | |
| R394 | QRD161J-104 | 100K 1/6W CARBON RES | |
| R395 | QRD161J-472 | 4.7K 1/6W CARBON RES | |
| R396 | QRD161J-472 | 4.7K 1/6W CARBON RES | |
| R397 | QRD161J-392 | 3.9K 1/6W CARBON RES | |
| R398 | QRD161J-392 | 3.9K 1/6W CARBON RES | |
| R399 | QRD167J-680 | 68 1/6W CARBON RES | |
| R400 | QRD167J-680 | 68 1/6W CARBON RES | |
| R401 | QRD161J-103 | 10K 1/6W CARBON RES | |
| R402 | QRD161J-103 | 10K 1/6W CARBON RES | |
| R403 | QRD161J-103 | 10K 1/6W CARBON RES | |
| R404 | QRD167J-221 | 220 1/6W CARBON RES | |
| R405 | QRD161J-103 | 10K 1/6W CARBON RES | |
| R407 | QRD161J-103 | 10K 1/6W CARBON RES | |
| R408 | QRD161J-103 | 10K 1/6W CARBON RES | |
| R409 | QRD161J-103 | 10K 1/6W CARBON RES | |
| R410 | QRD161J-391 | 390 1/6W CARBON RES | |
| R411 | QRD148J-222S | 2.2K 1/4W CARBON RES | |
| R412 | QRD148J-222S | 2.2K 1/4W CARBON RES | |
| R413 | QRD167J-223 | 22K 1/6W CARBON RES | |
| R415 | QRD167J-273 | 27K 1/6W CARBON RES | |
| R416 | QRD167J-273 | 27K 1/6W CARBON RES | |
| R417 | QRD167J-562 | 5.6K 1/6W CARBON RES | |

| ITEM | PART NUMBER | DESCRIPTION | AREA |
|------|----------------|-----------------------|------|
| R418 | QRD167J-562 | 5.6K 1/6W CARBON RES | |
| R419 | QRD161J-473 | 47K 1/6W CARBON RES | |
| R420 | QRD161J-473 | 47K 1/6W CARBON RES | |
| R421 | QRD161J-332YTT | 3.3K 1/6W CARBON RES | |
| R422 | QRD161J-332YTT | 3.3K 1/6W CARBON RES | |
| R423 | QRD167J-223 | 22K 1/6W CARBON RES | |
| R424 | QRD161J-473 | 47K 1/6W CARBON RES | |
| R425 | QRD161J-332YTT | 3.3K 1/6W CARBON RES | |
| R501 | QRD125J-470 | 47 1/2W UNF. CARBON | |
| R502 | QRD125J-470 | 47 1/2W UNF. CARBON | |
| R503 | QRD126J-181 | 180 1/2W UNF. CARBON | |
| R505 | QRD148J-123S | 12K 1/4W CARBON | |
| R506 | QRD148J-123S | 12K 1/4W CARBON | |
| R507 | EG84270210155 | METAL FILM | |
| R508 | QRD161J-104 | 100K 1/6W CARBON RES | |
| R509 | QRD161J-104 | 100K 1/6W CARBON RES | |
| R510 | QRD161J-104 | 100K 1/6W CARBON RES | |
| R511 | QRD161J-274 | 270K 1/6W CARBON RES | |
| R512 | QRD167J-223 | 22K 1/6W CARBON RES | |
| R513 | QRD167J-223 | 22K 1/6W CARBON RES | |
| R514 | QRD167J-223 | 22K 1/6W CARBON RES | |
| R515 | QRD167J-223 | 22K 1/6W CARBON RES | |
| R516 | QRD161J-104 | 100K 1/6W CARBON RES | |
| R517 | QRD161J-104 | 100K 1/6W CARBON RES | |
| R518 | QRD141J-222 | 2.2K 1/6W CARBON RES | |
| R519 | QRD161J-222 | 2.2K 1/6W CARBON RES | |
| R520 | QRD161J-473 | 47K 1/6W CARBON RES | |
| R521 | QRD161J-222 | 2.2K 1/6W CARBON RES | |
| R522 | QRD161J-222 | 2.2K 1/6W CARBON RES | |
| R523 | QRD148J-102 | 1K 1/4W CARBON | |
| R524 | QRD148J-102 | 1K 1/4W CARBON | |
| R525 | EG84270210955 | METAL FILM | |
| R526 | QRD148J-221S | 220 1/4W CARBON | |
| R527 | QRD161J-332YTT | 3.3K 1/6W CARBON RES | |
| R528 | QRD161J-123 | 12K 1/6W CARBON RES | |
| R529 | QRD161J-472 | 4.7K 1/6W CARBON RES | |
| R530 | QRD161J-102 | 1K 1/6W CARBON RES | |
| R531 | QRD161J-103 | 10K 1/6W CARBON RES | |
| R533 | QRD148J-102 | 1K 1/4W CARBON | |
| R534 | EG84270210955 | METAL FILM | |
| R535 | EG84270247255 | METAL FILM | |
| R536 | QRD161J-472 | 4.7K 1/6W CARBON RES | |
| R537 | QRD161J-103 | 10K 1/6W CARBON RES | |
| R538 | QRD161J-102 | 1K 1/6W CARBON RES | |
| R539 | QRD161J-222 | 2.2K 1/6W CARBON RES | |
| R540 | QRD161J-473 | 47K 1/6W CARBON RES | |
| R541 | QRD161J-473 | 47K 1/6W CARBON RES | |
| R542 | EG84050127255 | CARBON RES | |
| R543 | EG84050127255 | CARBON RES | |
| R548 | QRD167J-223 | 22K 1/6W CARBON RES | |
| R549 | QRD167J-223 | 22K 1/6W CARBON RES | |
| R550 | QRD161J-183 | 18K 1/6W CARBON RES | |
| R551 | QRD161J-183 | 18K 1/6W CARBON RES | |
| R552 | QRD167J-223 | 22K 1/6W CARBON RES | |
| R553 | QRD167J-223 | 22K 1/6W CARBON RES | |
| R554 | QRD161J-183 | 18K 1/6W CARBON RES | |
| R555 | QRD161J-183 | 18K 1/6W CARBON RES | |
| R556 | QRD161J-123 | 12K 1/6W CARBON RES | |
| R557 | QRD161J-123 | 12K 1/6W CARBON RES | |
| R558 | QRD161J-183 | 18K 1/6W CARBON RES | |
| R559 | QRD161J-183 | 18K 1/6W CARBON RES | |
| R560 | QRD161J-103 | 10K 1/6W CARBON RES | |
| R561 | QRD161J-103 | 10K 1/6W CARBON RES | |
| R562 | QRD161J-103 | 10K 1/6W CARBON RES | |
| R563 | QRD161J-103 | 10K 1/6W CARBON RES | |
| R564 | QRD167J-562 | 5.6K 1/6W CARBON RES | |
| R565 | QRD161J-102 | 1K 1/6W CARBON RES | |
| R566 | QRD161J-103 | 10K 1/6W CARBON RES | |
| R567 | QRD167J-221 | 220 1/6W CARBON RES | |
| R568 | QRD161J-103 | 10K 1/6W CARBON RES | |
| R569 | QRD161J-103 | 10K 1/6W CARBON RES | |
| R570 | QRD161J-102 | 1K 1/6W CARBON RES | |
| R572 | QRD141J-471S | 470 1/4W CARBON RES | |
| R573 | QRD141J-471S | 470 1/4W CARBON RES | |
| R575 | QRD161J-102 | 1K 1/6W CARBON RES | |
| R576 | QRD161J-102 | 1K 1/6W CARBON RES | |
| R577 | QRD161J-104 | 100K 1/6W CARBON RES | |
| R578 | QRD161J-104 | 100K 1/6W CARBON RES | |
| R579 | QRD161J-393 | 39K 1/6W CARBON RES | |
| R580 | QRD161J-393 | 39K 1/6W CARBON RES | |
| R581 | QRD161J-683 | 68K 1/6W CARBON RES | |
| R582 | QRD161J-683 | 68K 1/6W CARBON RES | |
| R583 | QRD161J-124 | 120K 1/6W CARBON RES | |
| R584 | QRD161J-102 | 1K 1/6W CARBON RES | |
| R585 | QRD161J-102 | 1K 1/6W CARBON RES | |
| R586 | QRD161J-102 | 1K 1/6W CARBON RES | |
| R587 | QRD161J-473 | 47K 1/6W CARBON RES | |
| R588 | QRD161J-473 | 47K 1/6W CARBON RES | |
| R589 | QRD167J-113 | 11K 1/6W CARBON RES | |
| R590 | QRD167J-113 | 11K 1/6W CARBON RES | |
| R591 | QRD161J-102 | 1K 1/6W CARBON RES | |
| R592 | QRD161J-102 | 1K 1/6W CARBON RES | |
| R593 | QRD161J-473 | 47K 1/6W CARBON RES | |
| R594 | QRD161J-473 | 47K 1/6W CARBON RES | |
| R595 | QRD161J-473 | 47K 1/6W CARBON RES | |
| R596 | QRD161J-473 | 47K 1/6W CARBON RES | |
| R597 | QRD161J-104 | 100K 1/6W CARBON RES | |
| R598 | QRD161J-104 | 100K 1/6W CARBON RES | |
| R599 | QRD161J-104 | 100K 1/6W CARBON RES | |
| R600 | QRD161J-104 | 100K 1/6W CARBON RES | |
| R610 | QRD161J-404 | 400K 1/2W UNF. CARBON | |
| R617 | QRD125J-391 | 390 1/2W UNF. CARBON | |
| R618 | QRD125J-391 | 390 1/2W UNF. CARBON | |
| R619 | QRD161J-473 | 47K 1/6W CARBON RES | |
| R620 | QRD161J-473 | 47K 1/6W CARBON RES | |
| R623 | EG84050215554 | CARBON RES | |
| R624 | EG84050215554 | CARBON RES | |
| R626 | QRD161J-103 | 10K 1/6W CARBON RES | |
| R627 | QRD161J-103 | 10K 1/6W CARBON RES | |
| R628 | QRD161J-103 | 10K 1/6W CARBON RES | |

RESISTORS

| Δ | ITEM | PART NUMBER | DESCRIPTION | | AREA |
|---|-------|---------------|-------------|-----------------|------|
| | R629 | QRD161J-103 | 10K | 1/6W CARBON RES | |
| | R630 | QRD161J-105 | 1M | 1/6W CARBON RES | |
| | R631 | QRD161J-105 | 1M | 1/6W CARBON RES | |
| | R632 | QRD161J-102 | 1K | 1/6W CARBON RES | |
| | R633 | QRD161J-102 | 1K | 1/6W CARBON RES | |
| | R634 | QRD167J-223 | 22K | 1/6W CARBON RES | |
| | R635 | QRD167J-223 | 22K | 1/6W CARBON RES | |
| | R636 | QRD167J-223 | 22K | 1/6W CARBON RES | |
| | R637 | QRD167J-223 | 22K | 1/6W CARBON RES | |
| | R638 | QRD161J-102 | 1K | 1/6W CARBON RES | |
| | R639 | QRD161J-102 | 1K | 1/6W CARBON RES | |
| | R640 | QRD148J-152S | 1.5K | 1/4W CARBON | |
| | R641 | QRD148J-152S | 1.5K | 1/4W CARBON | |
| | R642 | QRD161J-102 | 1K | 1/6W CARBON RES | |
| | R643 | QRD161J-102 | 1K | 1/6W CARBON RES | |
| | R646 | QRD161J-224 | 220K | 1/6W CARBON RES | |
| | R647 | QRD161J-563 | 56K | 1/6W CARBON RES | |
| | R648 | QRD161J-563 | 56K | 1/6W CARBON RES | |
| | R649 | QRD161J-103 | 10K | 1/6W CARBON RES | |
| | R650 | QRD161J-103 | 10K | 1/6W CARBON RES | |
| | R651 | QRD167J-153 | 15K | 1/6W CARBON RES | |
| | R652 | QRD167J-153 | 15K | 1/6W CARBON RES | |
| | R653 | QRD161J-561 | 560 | 1/6W CARBON RES | |
| | R654 | QRD161J-561 | 560 | 1/6W CARBON RES | |
| | R657 | EGB4270210055 | | METAL FILM | |
| | R678 | QRD161J-104 | 100K | 1/6W CARBON RES | |
| | R679 | QRD161J-104 | 100K | 1/6W CARBON RES | |
| | R680 | EGB4271010955 | | METAL FILM | |
| | R681 | QRD161J-333 | 33K | 1/6W CARBON RES | |
| | R682 | QRD161J-333 | 33K | 1/6W CARBON RES | |
| | RA301 | EGB5226103177 | | TRIMMER RE | |
| | RA302 | EGB5226103177 | | TRIMMER RE | |
| | RA303 | EGB5226103177 | | TRIMMER RE | |
| | RA304 | EGB5226103177 | | TRIMMER RE | |
| | RA305 | EGB5226503177 | | TRIMMER RE | |
| | RA306 | EGB5226503177 | | TRIMMER RE | |
| | RA307 | EGB5226104177 | | TRIMMER RE | |
| | RA308 | EGB5226104177 | | TRIMMER RE | |

OTHERS

| Δ | ITEM | PART NUMBER | DESCRIPTION | | AREA |
|---|-------|---------------|-------------|-------------|------|
| | | EGBC488021718 | | CONNECTING | |
| | | EGBC488021721 | | CONNECTING | |
| | | EGBC488021722 | | CONNECTING | |
| | | EGBC488031719 | | CONNECTING | |
| | | EGBC488051742 | | CONNECTING | |
| | | EGBC488081724 | | CONNECTING | |
| | | EGB2000000478 | | TERMINAL PI | |
| | | EGB420C664242 | | POWER TRANS | BS |
| | | EGB420C664242 | | POWER TRANS | EF |
| | | EGB420C664242 | | POWER TRANS | EN |
| | | EGB420C664242 | | POWER TRANS | G |
| | | EGB420C664242 | | POWER TRANS | GI |
| | | EGB420C664242 | | POWER TRANS | VX |
| | | EGB420C769126 | | POWER TRANS | US |
| | | EGB4400000138 | | LEAF SWITCH | |
| | | EGB4490500261 | | WIRE HOLDER | |
| | | EGB4580000021 | | CORD STOPPE | |
| | | EGB4590080243 | | EARTH TERMI | |
| | | EGB463137L065 | | POWER CORD | |
| | | EGB4692000034 | | FUSE HOLDER | |
| | | EGB5280020010 | | TUBE | |
| | | EGB8611200500 | | SCREW | |
| | | EGB8661200500 | | SCREW | |
| | | EGB9030006290 | | CAUTION LAB | |
| | | QMF51U1-2R5 | | FUSE | US |
| Δ | F501 | QMF51U1-1ROS | | FUSE | BS |
| Δ | F501 | QMF51U1-1ROS | | FUSE | EF |
| Δ | F501 | QMF51U1-1ROS | | FUSE | EN |
| Δ | F501 | QMF51U1-1ROS | | FUSE | G |
| Δ | F501 | QMF51U1-1ROS | | FUSE | GI |
| Δ | F501 | QMF51U1-1ROS | | FUSE | VX |
| Δ | F502 | QMF51U1-4ROS | | FUSE | |
| Δ | F503 | QMF51U1-2R5 | | FUSE | |
| | L301 | EGB416133B261 | | TRAP COIL | |
| | L302 | EGB416133B261 | | TRAP COIL | |
| | L303 | EGB4360400720 | | TRAP COIL | |
| | L304 | EGB4360400720 | | TRAP COIL | |
| | L305 | EGB4360400740 | | TRAP COIL | |
| | L306 | EGB4360400740 | | TRAP COIL | |
| | L307 | EGB4329247211 | | INDUCTOR | |
| | L308 | EGB4329247211 | | INDUCTOR | |
| | L309 | EGB4329268211 | | INDUCTOR | |
| | L310 | EGB4329268211 | | INDUCTOR | |
| | L311 | EGB4330801910 | | OSCILLATOR | |
| | L312 | EGB4328247186 | | CHOKO CDIL | |
| | P001 | EGB2000000843 | | PIN | |
| | P002 | EGB2000000843 | | PIN | |
| | F301 | EGB4430202685 | | PUSH SWITCH | |
| | CN301 | EGB4490301004 | | CONNECT TER | |
| | CN302 | EMV5109-005A | | MALE CONNec | |
| | CN303 | EGB4490201004 | | CONNECT TER | |
| | CN304 | EGB4490201004 | | CONNECT TER | |
| | CN305 | EGB4490500261 | | WIRE HOLDER | |
| | CN305 | EGB4490500270 | | CONNECT TER | |
| | CN306 | EGB4490801004 | | CONNECT TER | |
| | CN307 | EGB4490201004 | | CONNECT TER | |
| | CN308 | EGB4490300297 | | CONNECT TER | |
| | CN501 | EGB4493200263 | | CONNECT TER | |
| | CN502 | EGB4491001004 | | CONNECT TER | |
| | CN503 | EGB4491200296 | | CONNECT TER | |
| | CN504 | EGB4490800270 | | CONNECT TER | |
| | CN505 | EGB4490500261 | | WIRE HOLDER | |
| | CN506 | EGB4490500261 | | WIRE HOLDER | |
| | CN507 | EGBC488081533 | | CONNECT TER | |
| | CN508 | EGB4490801004 | | CONNECT TER | |
| | CP501 | EGB41591CPN38 | | I.C.PROTECT | |
| | CP502 | EGB41591CPN38 | | I.C.PROTECT | |
| | FR503 | EGB4180482057 | | FUSIBLE RES | |
| | FR504 | EGB4180482057 | | FUSIBLE RES | |
| | GN001 | EGB2005079551 | | EARTH TERMI | |
| | GN003 | EGB2005079551 | | EARTH TERMI | |
| | JK501 | EGB4560004076 | | SPEAKER TER | |
| | JK502 | EGB4500800420 | | RCA JACK | |
| | JK504 | EGB4500500260 | | HEADPHONE J | |
| | RV501 | EGB4390000057 | | RELAY | |
| | TP001 | EGB4490200297 | | CONNECT TER | |
| | TP002 | EGB4490200297 | | CONNECT TER | |
| | | EGB4144242710 | | PRINTED BOA | |

■ Front P.C. Board Ass'y

Block No. 0 2

TRANSISTORS

| Δ | ITEM | PART NUMBER | DESCRIPTION | AREA |
|---|------|-------------|------------------|------|
| | Q702 | 2SC945 | SI. TRANSIST NEC | |
| | Q703 | 2SC945 | SI. TRANSIST NEC | |
| | Q704 | 2SC945 | SI. TRANSIST NEC | |
| | Q705 | 2SC945 | SI. TRANSIST NEC | |

I. C. S.

| Δ | ITEM | PART NUMBER | DESCRIPTION | AREA |
|---|-------|---------------|--------------------|------|
| | IC102 | EGB714092443B | I. C. . | |
| | IC701 | EGB4152C72322 | I. C.(M) 8103 | |
| | IC702 | LB1641 | I. C(DIGI-OT SANYO | |
| | IC703 | EGB4159061240 | I. C.(MONO-AN 8103 | |
| | IC704 | EGB4159061240 | I. C.(MONO-AN 8103 | |

DIODES

| Δ | ITEM | PART NUMBER | DESCRIPTION | AREA |
|---|------|---------------|------------------|------|
| | D701 | EGB4121625413 | L. E. D. 8103 | |
| | D702 | EGB4121625413 | L. E. D. 8103 | |
| | D703 | EGB4121625413 | L. E. D. 8103 | |
| | D704 | EGB4121625413 | L. E. D. 8103 | |
| | D705 | EGB4121625413 | L. E. D. 8103 | |
| | D706 | EGB4121625413 | L. E. D. 8103 | |
| | D707 | EGB4120602042 | L. E. D. 8103 | |
| | D708 | EGB4121625413 | L. E. D. 8103 | |
| | D709 | EGB4121625413 | L. E. D. 8103 | |
| | D711 | EGB41216254Y3 | L. E. D. 8103 | |
| | D712 | EGB41216254Y3 | L. E. D. 8103 | |
| | D713 | EGB41216254Y3 | L. E. D. 8103 | |
| | D714 | EGB41216254Y3 | L. E. D. 8103 | |
| | D715 | EGB41216254Y3 | L. E. D. 8103 | |
| | D716 | EGB41216254Y3 | L. E. D. 8103 | |
| | D717 | EGB41216254Y3 | L. E. D. 8103 | |
| | D718 | EGB41216254Y3 | L. E. D. 8103 | |
| | D719 | EGB41216254Y3 | L. E. D. 8103 | |
| | D720 | EGB41216254Y3 | L. E. D. 8103 | |
| | D721 | 1SS176-A7 | SI. DIODE 6997 | |
| | D722 | 1SS176-A7 | SI. DIODE 6997 | |
| | D723 | 1SS176-A7 | SI. DIODE 6997 | |
| | D724 | 1SS176-A7 | SI. DIODE 6997 | |
| | D725 | 1SS176-A7 | SI. DIODE 6997 | |
| | D726 | 1SS176-A7 | SI. DIODE 6997 | |
| | D727 | 1SS176-A7 | SI. DIODE 6997 | |
| | D728 | 1SS176-A7 | SI. DIODE 6997 | |
| | D729 | 1SS176-A7 | SI. DIODE 6997 | |
| | D731 | 1SS176-A7 | SI. DIODE 6997 | |
| | D732 | 1SS176-A7 | SI. DIODE 6997 | |
| | D733 | 1SS176-A7 | SI. DIODE 6997 | |
| | D734 | 1SS176-A7 | SI. DIODE 6997 | |
| | D737 | 1SS176-A7 | SI. DIODE 6997 | |
| | D738 | 1SS176-A7 | SI. DIODE 6997 | |
| | D739 | 1SS176-A7 | SI. DIODE 6997 | |
| | D740 | 1SS176-A7 | SI. DIODE 6997 | |
| | D741 | 1SS176-A7 | SI. DIODE 6997 | |
| | D742 | EGB412152047J | ZENER DIODE 8103 | |

CAPACITORS

| Δ | ITEM | PART NUMBER | DESCRIPTION | AREA |
|---|------|---------------|-------------------------|------|
| | C701 | QETB0JM-108N | 1000MF 6.3V E. CAPACITO | |
| | C702 | QFN81HK-104 | 0.1MF 50V METAL.MYLA | |
| | C703 | QCHB1EZ-223 | 0.022MF 25V CER. CAPACI | |
| | C704 | QCSB1HJ-300 | 30PF 50V CERAMIC | |
| | C705 | QCSB1HJ-300 | 30PF 50V CERAMIC | |
| | C706 | QFN81HK-104 | 0.1MF 50V METAL.MYLA | |
| | C707 | QCSB1HK-102 | 1000PF 50V CER. CAPACI | |
| | C708 | QCSB1HK-102 | 1000PF 50V CER. CAPACI | |
| | C709 | QCSB1HK-102 | 1000PF 50V CER. CAPACI | |
| | C710 | QCSB1HK-102 | 1000PF 50V CER. CAPACI | |
| | C711 | QCSB1HK-101Y | 100PF 50V CER. CAPACI | |
| | C712 | QCSB1HK-101Y | 100PF 50V CER. CAPACI | |
| | C713 | QCSB1HK-101Y | 100PF 50V CER. CAPACI | |
| | C714 | QCSB1HK-101Y | 100PF 50V CER. CAPACI | |
| | C715 | QFN81HK-104 | 0.1MF 50V METAL.MYLA | |
| | C716 | QETB1CM-476 | 47MF 16V AL E. CAPAC | |
| | C717 | QFN81HK-104 | 0.1MF 50V METAL.MYLA | |
| | C718 | QETB1CM-476 | 47MF 16V AL E. CAPAC | |
| | C719 | QETB1EM-106 | 10MF 25V AL E. CAPAC | |
| | C720 | QETB1EM-106 | 10MF 25V AL E. CAPAC | |
| | C721 | QCSB1HK-102 | 1000PF 50V CER. CAPACI | |
| | C722 | QCHB1EZ-223 | 0.022MF 25V CER. CAPACI | |
| | C727 | QCSB1HK-101Y | 100PF 50V CER. CAPACI | |
| | C728 | EGB7306610445 | CER. CAPACI | |
| | C732 | QCSB1HK-100Y | 1000PF 50V CER. CAPACI | |
| | C733 | QCSB1HJ-100Y | 10PF 50V CER. CAPACI | |
| | C734 | QCSB1HJ-100Y | 10PF 50V CERAMIC | BS |
| | C734 | QCSB1HJ-100Y | 10PF 50V CERAMIC | VX |
| | C734 | QCSB1HK-100Y | 1000PF 50V CERAMIC | EF |
| | C734 | QCSB1HK-100Y | 1000PF 50V CERAMIC | EN |
| | C734 | QCSB1HK-100Y | 1000PF 50V CERAMIC | G |
| | C734 | QCSB1HK-102 | 1000PF 50V CERAMIC | G1 |
| | C734 | QCSB1HK-102 | 1000PF 50V CERAMIC | US |

RESISTORS

| Δ | ITEM | PART NUMBER | DESCRIPTION | AREA |
|---|-------|----------------|----------------------|------|
| | R701 | QRD161J-332YTT | 3.3K 1/6W CARBON RES | |
| | R702 | QRD161J-332YTT | 3.3K 1/6W CARBON RES | |
| | R703 | QRD161J-473 | 47K 1/6W CARBON RES | |
| | R704 | QRD161J-473 | 47K 1/6W CARBON RES | |
| | R705 | QRD161J-473 | 47K 1/6W CARBON RES | |
| | R706 | QRD161J-103 | 10K 1/6W CARBON RES | |
| | R707 | QRD161J-473 | 47K 1/6W CARBON RES | |
| | R708 | QRD161J-473 | 47K 1/6W CARBON RES | |
| | R709 | QRD161J-473 | 47K 1/6W CARBON RES | |
| | R710 | QRD161J-473 | 47K 1/6W CARBON RES | |
| | R712 | QRD161J-472 | 4.7K 1/6W CARBON RES | |
| | R713 | QRD161J-472 | 4.7K 1/6W CARBON RES | |
| | R714 | QRD161J-472 | 4.7K 1/6W CARBON RES | |
| | R715 | QRD161J-102 | 1K 1/6W CARBON RES | |
| | R716 | QRD161J-102 | 1K 1/6W CARBON RES | |
| | R717 | QRD161J-102 | 1K 1/6W CARBON RES | |
| | R718 | QRD161J-473 | 47K 1/6W CARBON RES | |
| | R719 | QRD161J-473 | 47K 1/6W CARBON RES | |
| | R720 | QRD161J-473 | 47K 1/6W CARBON RES | |
| | R721 | QRD161J-473 | 47K 1/6W CARBON RES | |
| | R722 | QRD161J-103 | 10K 1/6W CARBON RES | |
| | R723 | QRD161J-473 | 47K 1/6W CARBON RES | |
| | R724 | QRD161J-471 | 470 1/6W CARBON RES | |
| | R725 | QRD161J-471 | 470 1/6W CARBON RES | |
| | R726 | QRD161J-102 | 1K 1/6W CARBON RES | |
| | R727 | QRD161J-472 | 4.7K 1/6W CARBON RES | |
| | R731 | QRD161J-102 | 1K 1/6W CARBON RES | |
| | R732 | QRD161J-102 | 1K 1/6W CARBON RES | |
| | R733 | QRD161J-102 | 1K 1/6W CARBON RES | |
| | R734 | QRD161J-102 | 1K 1/6W CARBON RES | |
| | R735 | QRD161J-102 | 1K 1/6W CARBON RES | |
| | R736 | QRD161J-102 | 1K 1/6W CARBON RES | |
| | R737 | QRD161J-102 | 1K 1/6W CARBON RES | |
| | R738 | QRD161J-102 | 1K 1/6W CARBON RES | |
| | R739 | QRD161J-102 | 1K 1/6W CARBON RES | |
| | R740 | QRD161J-102 | 1K 1/6W CARBON RES | |
| | R741 | QRD161J-103 | 10K 1/6W CARBON RES | |
| | R742 | QRD161J-103 | 10K 1/6W CARBON RES | |
| | R743 | QRD161J-102 | 1K 1/6W CARBON RES | |
| | R747 | QRD161J-824 | 820K 1/6W CARBON RES | |
| | R748 | QRD161J-103 | 10K 1/6W CARBON RES | |
| | R750 | QRD14CJ-220S | 22 1/4W UNF. CARBON | |
| | VR701 | EGB5025215238 | VARIABLE R | |

OTHERS

| Δ | ITEM | PART NUMBER | DESCRIPTION | AREA |
|---|-------|---------------|-------------|------|
| | | EGB4142242810 | PRINTED BOA | |
| | | EGB4590160105 | EARTH TERMI | |
| | | EGB4590220105 | EARTH TERMI | |
| | S701 | EGB4400000156 | TACT SWITCH | |
| | S702 | EGB4400000156 | TACT SWITCH | |
| | S703 | EGB4400000156 | TACT SWITCH | |
| | S704 | EGB4400000156 | TACT SWITCH | |
| | S705 | EGB4400000156 | TACT SWITCH | |
| | S706 | EGB4400000156 | TACT SWITCH | |
| | S707 | EGB4400000156 | TACT SWITCH | |
| | S708 | EGB4400000156 | TACT SWITCH | |
| | S709 | EGB4400000156 | TACT SWITCH | |
| | S710 | EGB4400000156 | TACT SWITCH | |
| | S711 | EGB4400000156 | TACT SWITCH | |
| | S712 | EGB4400000156 | TACT SWITCH | |
| | S713 | EGB4400000156 | TACT SWITCH | |
| | S714 | EGB4400000156 | TACT SWITCH | |
| | S715 | EGB4400000156 | TACT SWITCH | |
| | S716 | EGB4400000156 | TACT SWITCH | |
| | S717 | EGB4400000156 | TACT SWITCH | |
| | S718 | EGB4400000156 | TACT SWITCH | |
| | S719 | EGB4400000156 | TACT SWITCH | |
| | S720 | EGB4400000156 | TACT SWITCH | |
| | S721 | EGB4400000156 | TACT SWITCH | |
| | S722 | EGB4400000156 | TACT SWITCH | |
| | S723 | EGB4400000156 | TACT SWITCH | |
| | S724 | EGB4400000156 | TACT SWITCH | |
| | S725 | EGB4400000156 | TACT SWITCH | |
| | S726 | EGB4400000156 | TACT SWITCH | |
| | U701 | EGB4110430217 | FLUORESCENT | |
| | X701 | EGB410090450M | CRYSTAL | |
| | CN701 | EGB4493200265 | CONNECT TER | |
| | CN702 | EGB4490800261 | CONNECT TER | |
| | CN704 | EGBC488021717 | CONNECT TER | |
| | FR728 | EGB4180210057 | FUSIBLE RES | |
| | LP701 | EGB4700140029 | BACK LAMP | |
| | LP702 | EGB4700140029 | BACK LAMP | |

TRANSISTORS

| Δ | ITEM | PART NUMBER | DESCRIPTION | AREA |
|---|------|--------------|-------------------|------|
| | Q001 | 2SA952(L,K) | SI. TRANSIST NEC | |
| | Q002 | 2SA952(L,K) | SI. TRANSIST NEC | |
| | Q003 | 2SA952(L,K) | SI. TRANSIST NEC | |
| | Q004 | 2SA952(L,K) | SI. TRANSIST NEC | |
| | Q005 | 2SC2001(L,K) | SI. TRANSIST | |
| | Q006 | 2SA733Q | SILICON | |
| | Q007 | 2SC945 | SI. TRANSIST NEC | |
| | Q009 | 2SC945 | SI. TRANSIST NEC | |
| | Q010 | 2SC2060(Q,R) | SI. TRANSIST ROHM | |
| | Q011 | 2SC2060(Q,R) | SI. TRANSIST ROHM | |
| | Q012 | 2SC2001(L,K) | SI. TRANSIST | |
| | Q013 | 2SC945 | SI. TRANSIST NEC | |
| | Q014 | 2SA733Q | SILICON | |
| | Q015 | 2SC945 | SI. TRANSIST NEC | |
| | Q016 | 2SC945 | SI. TRANSIST NEC | |

I. C. S.

| Δ | ITEM | PART NUMBER | DESCRIPTION | AREA |
|---|-------|---------------|------------------------|------|
| | IC001 | CXA1782A0 | I.C.(MONO)-AN 8126 | |
| | IC003 | EGB415112GF04 | I.C.(DIGI)-MO 8103 | |
| | IC004 | EGB415C0250B0 | I.C.(DIGI)-MO 8103 | |
| | IC005 | BA6398FP | I.C.(MONO)-AN ROHM | |
| | IC006 | NJM4558L | I.C.(MONO)-AN DAINICHI | |
| | IC007 | NJM4558L | I.C.(MONO)-AN DAINICHI | |
| | IC103 | EGB415112GF13 | I.C.(DIGI)-MO 8103 | |

DIODES

| Δ | ITEM | PART NUMBER | DESCRIPTION | AREA |
|---|------|---------------|------------------|------|
| | D001 | 1SS176-A7 | SI. DIODE 6997 | |
| | D002 | 1SS176-A7 | SI. DIODE 6997 | |
| | D003 | EGB412151051J | ZENER DIODE 8103 | |
| | D004 | 1SS176-A7 | SI. DIODE 6997 | |
| | D005 | EGB4138104002 | SI. DIODE 8103 | |
| | D006 | EGB4138104002 | SI. DIODE 8103 | |
| | D007 | EGB4138104002 | SI. DIODE 8103 | |
| | D008 | EGB4138104002 | SI. DIODE 8103 | |
| | D009 | EGB412152100J | ZENER DIODE 8103 | |
| | D010 | EGB412152056J | ZENER DIODE 8103 | |
| | D011 | 1SS176-A7 | SI. DIODE 6997 | |
| | D012 | 1SS176-A7 | SI. DIODE 6997 | |
| | D013 | EGB412151051J | ZENER DIODE 8103 | |
| | D015 | 1SS176-A7 | SI. DIODE 6997 | |
| | D017 | EGB41200EL7LD | DIODE 8103 | |

CAPACITORS

| Δ | ITEM | PART NUMBER | DESCRIPTION | AREA |
|---|------|---------------|-------------------------|------|
| | C001 | QCXB1CM-472Y | 4700PF 16V CER. CAPACI | |
| | C002 | QETB1EM-107 | 100MF 25V AL E. CAPAC | |
| | C003 | QETB1EM-107 | 100MF 25V AL E. CAPAC | |
| | C004 | QCVB1CM-103Y | 0.01MF 16V CER. CAPACI | |
| | C005 | EGB5116153550 | 0.015MF 50V MYLAR CAPA | |
| | C006 | QCVB1CM-103Y | 0.01MF 16V CER. CAPACI | |
| | C007 | QFN81HJ-333 | 0.033MF 50V MYLAR CAPA | |
| | C008 | QCXB1CM-472Y | 4700PF 16V CER. CAPACI | |
| | C009 | QFN81HK-104 | 0.1MF 50V METAL. MYLA | |
| | C010 | QCVB1CM-103Y | 0.01MF 16V CER. CAPACI | |
| | C011 | QFN81HK-104 | 0.1MF 50V METAL. MYLA | |
| | C012 | QCVB1CM-103Y | 0.01MF 16V CER. CAPACI | |
| | C013 | QFN81HK-104 | 0.1MF 50V METAL. MYLA | |
| | C014 | QCXB1CM-222Y | 2200PF 16V CER. CAPACI | |
| | C015 | QFN81HK-104 | 0.1MF 50V METAL. MYLA | |
| | C016 | QFN81HK-104 | 0.1MF 50V METAL. MYLA | |
| | C017 | QFN81HJ-333 | 0.033MF 50V MYLAR CAPA | |
| | C018 | QFN81HK-104 | 0.1MF 50V METAL. MYLA | |
| | C019 | QETC1HM-475E | 4.7MF 50V ELECTRO | |
| | C020 | QCVB1CM-103Y | 0.01MF 16V CER. CAPACI | |
| | C021 | QFN81HJ-104 | 0.1MF 50V METAL. MYLA | |
| | C022 | EGB5153471210 | 470MF 10V AL E. CAPAC | |
| | C023 | QFN81HK-104 | 0.1MF 50V METAL. MYLA | |
| | C024 | QETB1EM-226N | 22MF 25V AL E. CAPACI | |
| | C025 | QETB1EM-336 | 33MF 50V AL E. CAPAC | |
| | C027 | QCVB1CM-103Y | 0.01MF 16V CER. CAPACI | |
| | C028 | QFN81HK-104 | 0.1MF 50V METAL. MYLA | |
| | C029 | QETB1EM-107 | 100MF 25V AL E. CAPAC | |
| | C030 | QETB1EM-107 | 100MF 25V AL E. CAPAC | |
| | C031 | QFN81HK-473 | 0.047MF 50V METAL. MYLA | |
| | C032 | QFN81HK-104 | 0.1MF 50V METAL. MYLA | |
| | C033 | QCXB1CM-152Y | 1500PF 16V CER. CAPACI | |
| | C034 | QFN81HK-104 | 0.1MF 50V METAL. MYLA | |
| | C035 | QFN81HJ-223 | 0.022MF 50V METAL. MYLA | |
| | C036 | QCVB1CM-103Y | 0.01MF 16V CER. CAPACI | |
| | C037 | QCBB1HK-221Y | 220PF 50V CER. CAPACI | |
| | C041 | QETC1HM-475E | 4.7MF 50V ELECTRO | |
| | C042 | QCVB1CM-103Y | 0.01MF 16V CER. CAPACI | |
| | C043 | QCGB1HK-102 | 1000PF 50V CER. CAPACI | |
| | C044 | QETB1EM-106 | 10MF 25V AL E. CAPAC | |
| | C045 | QFN81HK-104 | 0.1MF 50V METAL. MYLA | |
| | C046 | QETB1HM-105 | 1MF 50V AL E. CAPAC | |
| | C047 | QFN81HK-104 | 0.1MF 50V METAL. MYLA | |
| | C053 | QETB1EM-107 | 100MF 25V AL E. CAPAC | |
| | C054 | QETB1CM-107 | 100MF 16V AL E. CAPAC | |
| | C055 | QETB1CM-477M | 470MF 16V E. CAPACITO | |
| | C056 | QETB1CM-228 | 2200MF 16V AL E. CAPAC | |
| | C057 | QCHB1EZ-223 | 0.022MF 25V CER. CAPACI | |
| | C058 | QCHB1EZ-223 | 0.022MF 25V CER. CAPACI | |
| | C059 | EGB5158471216 | 470MF 16V AL E. CAPAC | |
| | C060 | EGB5153471210 | 470MF 10V AL E. CAPAC | |
| | C061 | QETB1EM-107 | 100MF 25V AL E. CAPAC | |
| | C062 | EGB5165109250 | 1MF 10V E. CAPACITO | |
| | C063 | QCHB1EZ-223 | 0.022MF 25V CER. CAPACI | |
| | C064 | QCGB1HK-102 | 1000PF 50V CER. CAPACI | |

CAPACITORS

| Δ | ITEM | PART NUMBER | DESCRIPTION | AREA |
|---|-------|--------------|------------------------|------|
| | C065 | QCBB1HK-101Y | 100PF 50V CERAMIC | |
| | C066 | QFN81HK-104 | 0.1MF 50V METAL. MYLA | |
| | C068 | QCGB1HK-102 | 1000PF 50V CER. CAPACI | |
| | C069 | QCXB1HJ-240 | 24PF 50V CERAMIC | |
| | C070 | QCXB1HJ-220 | 22PF 50V CER. CAPACI | |
| | C071 | QCBB1HK-151 | 150PF 50V CER. CAPACI | |
| | C073 | QFN81HK-104 | 0.1MF 50V METAL. MYLA | |
| | C074 | QCXB1HJ-470 | 47PF 50V CER. CAPACI | |
| | C075 | QCXB1HJ-470 | 47PF 50V CER. CAPACI | |
| | C076 | QCXB1CM-272 | 2700PF 16V CERAMIC | |
| | C077 | QFPB2AJ-471 | 470PF 100V POLYPROPY. | |
| | C078 | QCVB1CM-822Y | 8200PF 16V CER. CAPACI | |
| | C079 | QETB1HM-225 | 2.2MF 50V AL E. CAPAC | |
| | C0071 | QCBB1HK-151 | 150PF 50V CER. CAPACI | |
| | C0074 | QCXB1HJ-470 | 47PF 50V CER. CAPACI | |
| | C0075 | QCXB1HJ-470 | 47PF 50V CER. CAPACI | |
| | C0076 | QCXB1CM-272 | 2700PF 16V CERAMIC | |
| | C0077 | QFPB2AJ-471 | 470PF 100V POLYPROPY. | |
| | C0078 | QCXB1CM-822Y | 8200PF 16V CER. CAPACI | |
| | C0079 | QETB1HM-225 | 2.2MF 50V AL E. CAPAC | |

RESISTORS

| Δ | ITEM | PART NUMBER | DESCRIPTION | AREA |
|---|------|----------------|----------------------|------|
| | R001 | QRD161J-123 | 12K 1/6W CARBON RES | |
| | R002 | QRD161J-123 | 12K 1/6W CARBON RES | |
| | R003 | QRD161J-100 | 10 1/6W CARBON RES | |
| | R004 | QRD161J-102 | 1K 1/6W CARBON RES | |
| | R006 | QRD161J-472 | 4.7K 1/6W CARBON RES | |
| | R007 | QRD167J-153 | 15K 1/6W CARBON RES | |
| | R008 | QRD167J-153 | 15K 1/6W CARBON RES | |
| | R009 | QRD167J-153 | 15K 1/6W CARBON RES | |
| | R010 | QRD161J-393 | 39K 1/6W CARBON RES | |
| | R011 | QRD161J-684 | 680K 1/6W CARBON RES | |
| | R012 | QRD161J-563 | 56K 1/6W CARBON RES | |
| | R013 | QRD167J-514 | 510K 1/6W CARBON RES | |
| | R014 | QRD167J-154 | 150K 1/6W CARBON RES | |
| | R015 | QRD161J-563 | 56K 1/6W CARBON RES | |
| | R016 | QRD161J-124 | 120K 1/6W CARBON RES | |
| | R017 | QRD161J-104 | 100K 1/6W CARBON RES | |
| | R018 | QRD167J-273 | 27K 1/6W CARBON RES | |
| | R019 | QRD167J-153 | 15K 1/6W CARBON RES | |
| | R020 | QRD161J-101 | 100 1/6W CARBON RES | |
| | R021 | QRD167J-223 | 22K 1/6W CARBON RES | |
| | R022 | QRD161J-473 | 47K 1/6W CARBON RES | |
| | R023 | QRD161J-224 | 220K 1/6W CARBON RES | |
| | R024 | QRD167J-154 | 150K 1/6W CARBON RES | |
| | R025 | QRD161J-104 | 100K 1/6W CARBON RES | |
| | R026 | QRD161J-103 | 10K 1/6W CARBON RES | |
| | R027 | QRD161J-473 | 47K 1/6W CARBON RES | |
| | R028 | QRD161J-103 | 10K 1/6W CARBON RES | |
| | R029 | QRD167J-151 | 150 1/6W CARBON RES | |
| | R030 | QRD167J-223 | 22K 1/6W CARBON RES | |
| | R031 | QRD161J-472 | 4.7K 1/6W CARBON RES | |
| | R032 | QRD161J-472 | 4.7K 1/6W CARBON RES | |
| | R033 | QRD161J-472 | 4.7K 1/6W CARBON RES | |
| | R034 | QRD161J-103 | 10K 1/6W CARBON RES | |
| | R035 | QRD161J-222 | 2.2K 1/6W CARBON RES | |
| | R036 | QRD161J-100 | 10 1/6W CARBON RES | |
| | R037 | QRD161J-105 | 1M 1/6W CARBON RES | |
| | R038 | QRD161J-103 | 10K 1/6W CARBON RES | |
| | R039 | QRD161J-332YTT | 3.3K 1/6W CARBON RES | |
| | R040 | QRD161J-332YTT | 3.3K 1/6W CARBON RES | |
| | R041 | QRD161J-103 | 10K 1/6W CARBON RES | |
| | R042 | QRD161J-104 | 100K 1/6W CARBON RES | |
| | R043 | QRD161J-103 | 10K 1/6W CARBON RES | |
| | R044 | QRD148J-103S | 10K 1/4W CARBON RES | |
| | R045 | QRD161J-104 | 100K 1/6W CARBON RES | |
| | R046 | QRD161J-103 | 10K 1/6W CARBON RES | |
| | R047 | QRD161J-103 | 10K 1/6W CARBON RES | |
| | R048 | QRD161J-103 | 10K 1/6W CARBON RES | |
| | R049 | QRD161J-103 | 10K 1/6W CARBON RES | |
| | R050 | QRD167J-223 | 22K 1/6W CARBON RES | |
| | R051 | QRD167J-223 | 22K 1/6W CARBON RES | |
| | R052 | QRD167J-223 | 22K 1/6W CARBON RES | |
| | R053 | QRD167J-223 | 22K 1/6W CARBON RES | |
| | R054 | QRD167J-223 | 22K 1/6W CARBON RES | |
| | R055 | QRD167J-223 | 22K 1/6W CARBON RES | |
| | R056 | QRD161J-103 | 10K 1/6W CARBON RES | |

RESISTORS

| Δ | ITEM | PART NUMBER | DESCRIPTION | AREA |
|---|-------|---------------|----------------------|------|
| | R057 | QRD161J-821 | 820 1/6W CARBON RES | |
| | R058 | QRD161J-821 | 820 1/6W CARBON RES | |
| | R061 | QRD167J-223 | 22K 1/6W CARBON RES | |
| | R062 | QRD167J-223 | 22K 1/6W CARBON RES | |
| | R063 | QRD167J-223 | 22K 1/6W CARBON RES | |
| | R064 | QRD167J-223 | 22K 1/6W CARBON RES | |
| | R065 | QRD14CJ-220S | 22 1/4W UNF. CARBON | |
| | R066 | QRD167J-223 | 22K 1/6W CARBON RES | |
| | R067 | EGB4171018155 | OXIDE META | |
| | R068 | EGB4271015155 | METAL FILM | |
| | R069 | QRD148J-102 | 1K 1/4W CARBON | |
| | R070 | QRD161J-222 | 2.2K 1/6W CARBON RES | |
| | R071 | QRD161J-222 | 2.2K 1/6W CARBON RES | |
| | R072 | QRD161J-222 | 2.2K 1/6W CARBON RES | |
| | R073 | QRD161J-473 | 47K 1/6W CARBON RES | |
| | R074 | QRD167J-153 | 15K 1/6W CARBON RES | |
| | R075 | QRD161J-103 | 10K 1/6W CARBON RES | |
| | R076 | QRD167J-511 | 510 1/6W CARBON RES | |
| | R077 | QRD161J-105 | 1M 1/6W CARBON RES | |
| | R078 | QRD161J-103 | 10K 1/6W CARBON RES | |
| | R079 | QRD161J-103 | 10K 1/6W CARBON RES | |
| | R080 | QRD161J-333 | 33K 1/6W CARBON RES | |
| | R081 | QRD161J-333 | 33K 1/6W CARBON RES | |
| | R082 | QRD161J-473 | 47K 1/6W CARBON RES | |
| | R083 | QRD161J-473 | 47K 1/6W CARBON RES | |
| | R084 | QRD161J-222 | 2.2K 1/6W CARBON RES | |
| | R085 | QRD161J-222 | 2.2K 1/6W CARBON RES | |
| | R086 | QRD161J-222 | 2.2K 1/6W CARBON RES | |
| | R087 | QRD167J-223 | 22K 1/6W CARBON RES | |
| | R088 | QRD161J-472 | 4.7K 1/6W CARBON RES | |
| | R089 | QRD161J-102 | 1K 1/6W CARBON RES | |
| | R090 | QRD161J-104 | 100K 1/6W CARBON RES | |
| | R091 | QRD161J-104 | 100K 1/6W CARBON RES | |
| | R092 | QRD161J-103 | 10K 1/6W CARBON RES | |
| | R095 | QRD161J-470 | 47 1/6W CARBON RES | |
| | R096 | QRD161J-470 | 47 1/6W CARBON RES | |
| | R0078 | QRD161J-103 | 10K 1/6W CARBON RES | |
| | R0079 | QRD161J-103 | 10K 1/6W CARBON RES | |
| | R0080 | QRD161J-333 | 33K 1/6W CARBON RES | |
| | R0081 | QRD161J-333 | 33K 1/6W CARBON RES | |
| | R0082 | QRD161J-473 | 47K 1/6W CARBON RES | |
| | R0083 | QRD161J-473 | 47K 1/6W CARBON RES | |
| | R0084 | QRD161J-222 | 2.2K 1/6W CARBON RES | |
| | R0085 | QRD161J-222 | 2.2K 1/6W CARBON RES | |
| | R0086 | QRD161J-222 | 2.2K 1/6W CARBON RES | |
| | R0087 | QRD167J-223 | 22K 1/6W CARBON RES | |
| | R0088 | QRD161J-472 | 4.7K 1/6W CARBON RES | |
| | R0089 | QRD161J-102 | 1K 1/6W CARBON RES | |
| | VR001 | EGB5226503177 | TRIMMER RE | |

OTHERS

| Δ | ITEM | PART NUMBER | DESCRIPTION | AREA |
|---|-------|---------------|--------------------------|------|
| | | EGBC480064011 | CONNECT TER 6PIN (CN003) | |
| | | EGBC488020491 | CONNECT TER 2PIN (CN006) | |
| | | EGBC488030490 | CONNECT TER 3PIN (CN005) | |
| | | EGBC488040583 | CONNECT TER 4PIN (CN007) | |
| | | EGBC488051413 | CONNECT TER 5PIN (CN001) | |
| | | EGBC488081697 | CONNECT TER 8PIN (CN002) | |
| | | EGB414242210 | PRINTED BOA | |
| | | EGB4590200272 | EARTH TERMI | |
| | | EGB5410320040 | FLAT WIRE A | |
| | L001 | EGB4325010093 | COIL | |
| | L003 | EGB4325010093 | COIL | |
| | L004 | EGB4325012993 | COIL | |
| | S001 | EGB4400000156 | TACT SWITCH | |
| | S002 | EGB4400000156 | TACT SWITCH | |
| | S003 | EGB4400000156 | TACT SWITCH | |
| | S004 | EGB4400000156 | TACT SWITCH | |
| | S006 | EGB4400000156 | TACT SWITCH | |
| | S007 | EGB4400000156 | TACT SWITCH | |
| | S008 | EGB4400000156 | TACT SWITCH | |
| | S009 | EGB4400000156 | TACT SWITCH | |
| | S010 | EGB4400000156 | TACT SWITCH | |
| | S011 | EGB4400000156 | TACT SWITCH | |
| | S012 | EGB4400000156 | TACT SWITCH | |
| | S013 | EGB4400000156 | TACT SWITCH | |
| | S014 | EGB4400000156 | TACT SWITCH | |
| | S015 | EGB4400000156 | TACT SWITCH | |
| | U001 | EGB4110440193 | L CRYSTAL D | |
| | CF001 | CST4.00MGW | | |
| | CN001 | EMV5109-005A | PLUG WIRE ASSY | |
| | CN002 | EGB4490801004 | PLUG WIRE ASSY | |
| | CN003 | EMV5109-006A | PLUG WIRE ASSY | |
| | CN004 | EGB4490300261 | WIRE HOLDER | |
| | CN005 | EGB4490301003 | PLUG WIRE ASSY | |
| | CN006 | EGB4490201003 | PLUG WIRE ASSY | |
| | CN007 | EGB4490401003 | PLUG WIRE ASSY | |
| | CN008 | EGBC488101562 | PLUG WIRE ASSY | |
| | CN009 | EGB4490800261 | CONNECT TER | |
| | CN010 | EGB4490200261 | WIRE HOIFDR | |
| | CN015 | EGB4490200297 | CONNECT TER | |
| | LP001 | EGB4700140029 | BACK LAMP | |
| | LP002 | EGB4700140029 | BACK LAMP | |
| | PH001 | EGB412051BLR2 | PHOTO DIODE | |
| | XT001 | EGB410090338M | CRYSTAL | |

■ Tuner P.C. Board Ass'y

Block No. 0 4

TRANSISTORS

| Δ | ITEM | PART NUMBER | DESCRIPTION | AREA |
|---|------|---------------|------------------|------|
| | Q101 | 2SC1675-L | SI. TRANSIST | |
| | Q102 | 2SC1675-L | SI. TRANSIST | |
| | Q103 | 2SA733A(P.K) | SI. TRANSIST NEC | |
| | Q105 | DTA114YS | DIGITAL TRA ROHM | |
| | Q106 | EGB4101501617 | F.E.T. B103 | |
| | Q107 | 2SC945 | SI. TRANSIST NEC | |
| | Q108 | 2SC945 | SI. TRANSIST NEC | |
| | Q109 | 2SC945 | SI. TRANSIST NEC | |

I. C. S.

| Δ | ITEM | PART NUMBER | DESCRIPTION | AREA |
|---|-------|---------------|--------------------|------|
| | IC101 | EGB415201186N | I.C. MONO-AN 8103 | |
| | IC102 | LA1831-N | I.C. MONO-AN SANYO | |

DIODES

| Δ | ITEM | PART NUMBER | DESCRIPTION | AREA |
|---|------|---------------|------------------|------|
| | D101 | 1SS176-A7 | SI. DIODE 6997 | |
| | D102 | 1SS176-A7 | SI. DIODE 6997 | |
| | D105 | 1SS176-A7 | SI. DIODE 6997 | |
| | D106 | EGB412015V103 | SI. DIODE 8103 | |
| | D107 | EGB412015V103 | SI. DIODE 8103 | |
| | D108 | EGB412020149B | SI. DIODE 8103 | |
| | D109 | EGB412020149B | SI. DIODE 8103 | |
| | D110 | EGB412152056J | ZENER DIODE 8103 | |

CAPACITORS

| Δ | ITEM | PART NUMBER | DESCRIPTION | AREA |
|---|-------|---------------|-------------------------|------|
| | C101 | QCSB1HJ-470 | 47PF 50V CER. CAPACI | |
| | C102 | QCGB1HK-102 | 1000PF 50V CER. CAPACI | |
| | C103 | QCSB1HJ-330Y | 33PF 50V CER. CAPACI | |
| | C104 | QCHB1EZ-223 | 0.022MF 25V CER. CAPACI | |
| | C105 | QCSB1HJ-150Y | 15PF 50V CER. CAPACI | |
| | C106 | QCHB1EZ-223 | 0.022MF 25V CER. CAPACI | |
| | C107 | QCHB1EZ-223 | 0.022MF 25V CER. CAPACI | |
| | C108 | QCHB1EZ-223 | 0.022MF 25V CER. CAPACI | |
| | C109 | QCSB1HJ-220 | 22PF 50V CER. CAPACI | |
| | C110 | QCSB1HJ-220 | 22PF 50V CER. CAPACI | |
| | C111 | QCSB1HJ-560 | 56PF 50V CERAMIC | |
| | C112 | QCB1HK-101Y | 100PF 50V CER. CAPACI | |
| | C113 | QCXB1CM-472Y | 4700PF 16V CER. CAPACI | |
| | C114 | QFN81HK-104 | 0.1MF 50V METAL. MYLA | |
| | C115 | QCB1HK-471Y | 470PF 50V CER. CAPACI | |
| | C116 | EGB5091471513 | 470PF 100V METAL POLY | |
| | C117 | QCSB1HJ-240 | 24PF 50V CERAMIC | |
| | C118 | QETB1CM-107 | 100MF 16V AL E. CAPAC | |
| | C119 | QCGB1HK-102 | 1000PF 50V CER. CAPACI | |
| | C120 | QCHB1EZ-223 | 0.022MF 25V CER. CAPACI | |
| | C121 | QCSB1HJ-150Y | 15PF 50V CER. CAPACI | |
| | C122 | QETB1HM-225 | 2.2MF 50V AL E. CAPAC | |
| | C123 | QETB1HM-105 | 1MF 50V AL E. CAPAC | |
| | C124 | QCSB1HJ-200 | 20PF 50V CERAMIC | |
| | C125 | QETB1HM-105 | 1MF 50V AL E. CAPAC | |
| | C126 | QFN81HK-473 | 0.047MF 50V METAL. MYLA | |
| | C127 | QETB1EM-106 | 10MF 25V AL E. CAPAC | |
| | C128 | QCHB1EZ-223 | 0.022MF 25V CER. CAPACI | |
| | C129 | QETB1HM-105 | 1MF 50V AL E. CAPAC | |
| | C130 | QCGB1HK-102 | 1000PF 50V CER. CAPACI | |
| | C131 | QCGB1HK-102 | 1000PF 50V CER. CAPACI | |
| | C132 | EGB5105123132 | 0.012MF 1000V SEMICONDU | |
| | C133 | EGB5105123132 | 0.012MF 1000V CERAMIC | |
| | C134 | QCGB1HK-102 | 1000PF 50V CER. CAPACI | |
| | C135 | QETB1HM-336 | 33MF 50V AL E. CAPAC | |
| | C136 | QFN81HK-473 | 0.047MF 50V METAL. MYLA | |
| | C137 | QETB1CM-226 | 22MF 16V E. CAPACITO | |
| | C138 | QFN81HK-562 | 5600PF 50V METAL. MYLA | |
| | C139 | QCHB1EZ-223 | 0.022MF 25V CER. CAPACI | |
| | C140 | QETB1CM-107 | 100MF 16V AL E. CAPAC | |
| | C141 | QCHB1EZ-223 | 0.022MF 25V CER. CAPACI | |
| | C142 | QETB1CM-107 | 100MF 16V AL E. CAPAC | |
| | C143 | QETB1HM-474 | 0.47MF 50V E. CAPACITO | |
| | C144 | QCHB1EZ-223 | 0.022MF 25V CER. CAPACI | |
| | C145 | QCSB1HJ-560 | 56PF 50V CERAMIC | |
| | C146 | QCGB1HK-102 | 1000PF 50V CER. CAPACI | |
| | C147 | QCHB1EZ-223 | 0.022MF 25V CER. CAPACI | |
| | C149 | QCHB1EZ-223 | 0.022MF 25V CER. CAPACI | |
| | C151 | QCXB1CM-152Y | 1500PF 16V CER. CAPACI | |
| | C152 | QCXB1CM-152Y | 1500PF 16V CER. CAPACI | |
| | C153 | QCHB1EZ-223 | 0.022MF 25V CER. CAPACI | |
| | C155 | QCB1HK-101Y | 100PF 50V CER. CAPACI | |
| | C157 | QETB1AM-477 | 470MF 10V E. CAPACITO | |
| | TC101 | EGB5010100045 | TRIMMER CA | |
| | TC102 | EGB5010100045 | TRIMMER CA | |

RESISTORS

| △ | ITEM | PART NUMBER | DESCRIPTION | AREA |
|---|------|----------------|----------------------|------|
| | R101 | QRD161J-104 | 100K 1/6W CARBON RES | |
| | R102 | QRD161J-102 | 1K 1/6W CARBON RES | |
| | R103 | QRD161J-100 | 10 1/6W CARBON RES | |
| | R104 | QRD161J-101 | 100 1/6W CARBON RES | |
| | R105 | QRD161J-102 | 1K 1/6W CARBON RES | |
| | R106 | QRD167J-152 | 1.5K 1/6W CARBON RES | |
| | R107 | QRD167J-682 | 6.8K 1/6W CARBON RES | |
| | R108 | QRD161J-331 | 330 1/6W CARBON RES | |
| | R109 | QRD161J-104 | 100K 1/6W CARBON RES | |
| | R110 | QRD161J-333 | 33K 1/6W CARBON RES | |
| | R111 | QRD161J-102 | 1K 1/6W CARBON RES | |
| | R112 | QRD161J-101 | 100 1/6W CARBON RES | |
| | R113 | QRD161J-104 | 100K 1/6W CARBON RES | |
| | R114 | QRD161J-104 | 100K 1/6W CARBON RES | |
| | R115 | QRD161J-220 | 22 1/6W CARBON RES | |
| | R116 | QRD161J-103 | 10K 1/6W CARBON RES | |
| | R118 | QRD161J-101 | 100 1/6W CARBON RES | |
| | R119 | QRD161J-471 | 470 1/6W CARBON RES | |
| | R120 | QRD161J-332YTT | 3.3K 1/6W CARBON RES | |
| | R121 | QRD161J-103 | 10K 1/6W CARBON RES | |
| | R122 | QRD161J-332YTT | 3.3K 1/6W CARBON RES | |
| | R123 | QRD161J-472 | 4.7K 1/6W CARBON RES | |
| | R124 | QRD161J-102 | 1K 1/6W CARBON RES | |
| | R125 | QRD161J-472 | 4.7K 1/6W CARBON RES | |
| | R126 | QRD161J-472 | 4.7K 1/6W CARBON RES | |
| | R127 | QRD161J-472 | 4.7K 1/6W CARBON RES | |
| | R128 | QRD161J-103 | 10K 1/6W CARBON RES | |
| | R129 | QRD161J-103 | 10K 1/6W CARBON RES | |
| | R130 | EGB4270215155 | METAL FILM | |
| | R131 | QRD161J-102 | 1K 1/6W CARBON RES | |
| | R132 | QRD161J-103 | 10K 1/6W CARBON RES | |
| | R133 | QRD161J-332YTT | 3.3K 1/6W CARBON RES | |
| | R134 | QRD161J-332YTT | 3.3K 1/6W CARBON RES | |
| | R138 | QRD161J-472 | 4.7K 1/6W CARBON RES | |
| | R139 | QRD161J-101 | 100 1/6W CARBON RES | |
| | R140 | QRD161J-332YTT | 3.3K 1/6W CARBON RES | |
| | R141 | QRD161J-823 | 82K 1/6W CARBON RES | |

OTHERS

| △ | ITEM | PART NUMBER | DESCRIPTION | AREA |
|---|-------|---------------|--------------|-----------|
| | | EGB2010079510 | EARTH TERMI | |
| | | EGB4144242910 | PRINTED BDA | |
| | | EGB4300400710 | ANTENNA CDI | US |
| | L101 | EGB43104A0850 | RF COIL | |
| | L103 | EGB4330400820 | OSCILLATOR | |
| | L104 | EGB4300103280 | ANTENNA COI | |
| | L105 | EGB4330102020 | OSCILLATOR | |
| | L107 | EGB4329247311 | INDUCTOR | |
| | L108 | EGB4329247311 | INDUCTOR | |
| | T101 | EGB4340200920 | I.F. TRANSFO | |
| | T102 | EGB4340101240 | I.F. TRANSFO | |
| | CF101 | EGB4160220044 | CERAMIC FIL | |
| | CF102 | EGB4160200003 | CERAMIC FIL | |
| | CF103 | EGB4160500089 | CERAMIC FIL | |
| | CF104 | EGB4160200273 | CRYSTAL | |
| | CF105 | CSB456F15 | CERAMIC RES | |
| | GN101 | EGB4491200295 | CONNECT TER | |
| | GN102 | EGB4490201002 | CONNECT TER | |
| | JK101 | EGB4560004086 | ANTENNA TER | |
| | | EGB4144243010 | PRINTED BOA | Except US |

Accessories List

Block No.

| | | | |
|---|---|---|---|
| M | 5 | M | M |
|---|---|---|---|

| △ | Item | Part Number | Part Name | Q'ty | Description | Area |
|---|------|---------------|--------------------------|------|-------------|---------|
| | 1 | EGB9080021680 | INSTRUCTION BOOK | 1 | | EF,G,GI |
| | | EGB9080021690 | INSTRUCTION BOOK | 1 | | BS |
| | | EGB9080021710 | INSTRUCTION BOOK | 1 | | VX |
| | | EGB9080021760 | INSTRUCTION BOOK | 1 | | EN |
| | | EGB9080021830 | INSTRUCTION BOOK | 1 | | US |
| | 2 | BT-20066A | DISTRIBUTOR LIST | 1 | | BS |
| | 3 | BT-20134 | WARRANTY CARD | 1 | | G |
| | 4 | BT20060 | WARRANTY CARD | 1 | | BS |
| | 5 | EGB71595100C4 | WIRE-LESS REMOTE CONTROL | 1 | | |
| | 6 | EQB4001-015 | LOOP ANTENNA | 1 | | |
| | 7 | E43486-340A | SAFETY SHEET | 1 | | BS |
| | 8 | E67007-001 | ANTENNA WIRE | 2 | | |
| | 9 | QPGA025-03505 | ENVELOPE | 1 | | |
| | 10 | R03BPA-2STSA | BATTERY | 1 | | |
| | 11 | ENZ2202-001 | SIEMENS PLUG | 1 | | |

△:Safety Parts

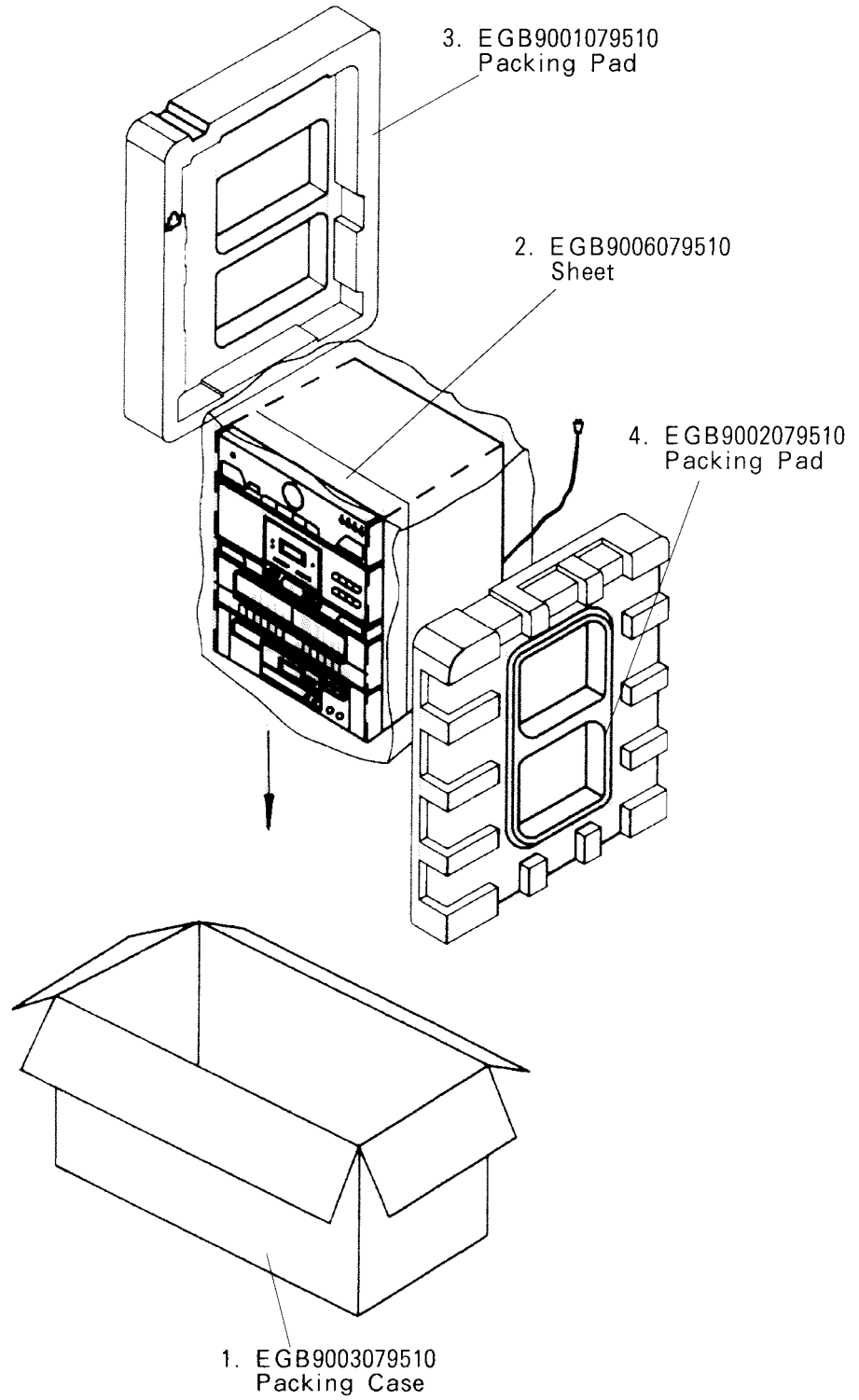
The Marks for Designated Areas

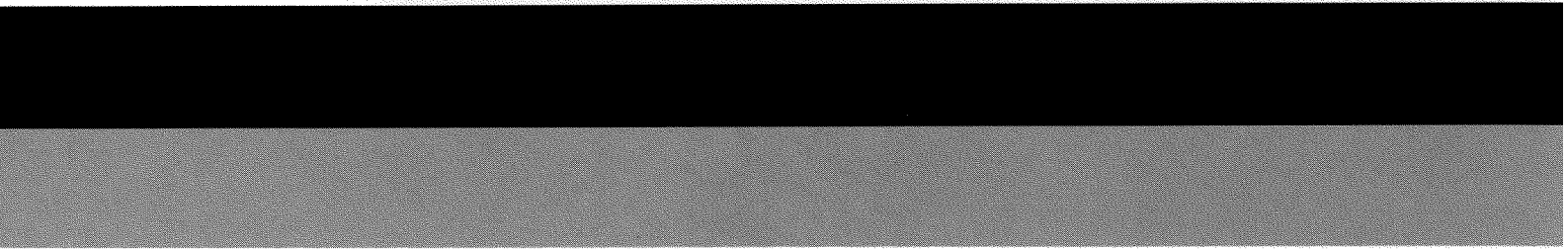
BS the U.K. G Germany GI Italy
 EN .. Scadinavia EF Continental Europe US Singapore
 VX East Europe No mark indicates all area.

Packing Materials and Part Numbers

Block No.

| | | | |
|---|---|---|---|
| M | 6 | M | M |
|---|---|---|---|





JVC

VICTOR COMPANY OF JAPAN, LIMITED
AUDIO DIVISION, 1644, SHIMOTSURUMA, YAMATO-SHI, KANAGAWA-KEN, 242, JAPAN